



# PROVAC

## S A L E S

PHONE: 831-462-8900

FAX: 831-462-3536

WWW.PROVAC.COM

## Edwards iK-500 Technical Specifications

		Units	iK500
Typical peak pumping speed	50 Hz	$\text{m}^3\text{h}^{-1}$	350
	60 Hz	$\text{m}^3\text{h}^{-1}$	450
Typical ultimate vacuum with shaft-seals purge only	50 Hz	mbar	$2 \times 10^{-3}$
		Pa	$2 \times 10^{-1}$
	60 Hz	mbar	$7 \times 10^{-4}$
		Pa	$7 \times 10^{-2}$
Maximum pressure differential across QMB pump	50 Hz	mbar	0 - 110
		Pa	0 to $1.1 \times 10^4$
	60 Hz	mbar	0 - 110
		Pa	0 to $1.1 \times 10^4$
Maximum inlet pressure	50 Hz	mbar	5
		Pa	$5 \times 10^{-2}$
	60 Hz	mbar	5
		Pa	$5 \times 10^{-2}$
Maximum operating time at maximum inlet pressure	50 Hz	hour	Continuous
	60 Hz	hour	Continuous
Inlet connection	-	-	ISO100 bolted
Outlet connection	-	-	NW40
Mass		kg	353
Noise level †		dB(A)	< 69

† Measured at 1 metre from the pump, with enclosure panels fitted.



# PROVAC

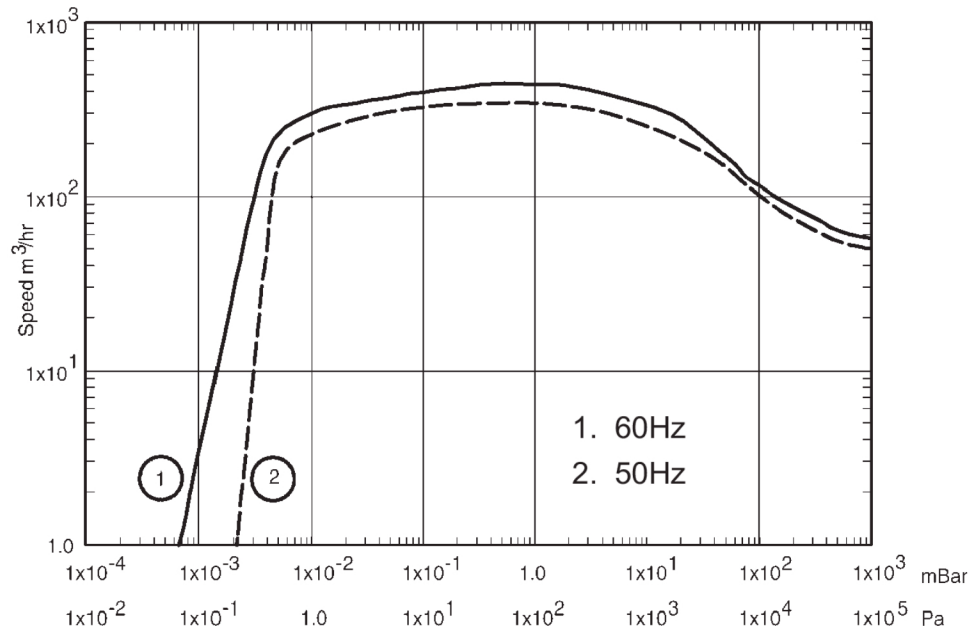
## SALES

PHONE: 831-462-8900

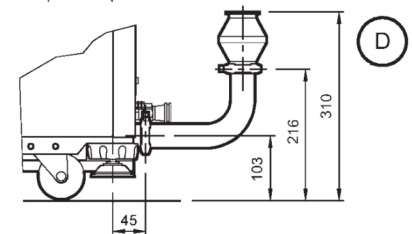
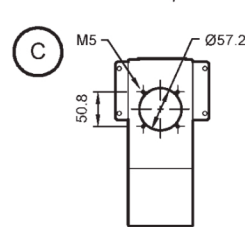
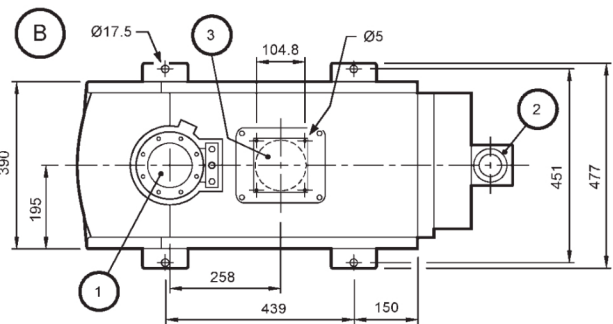
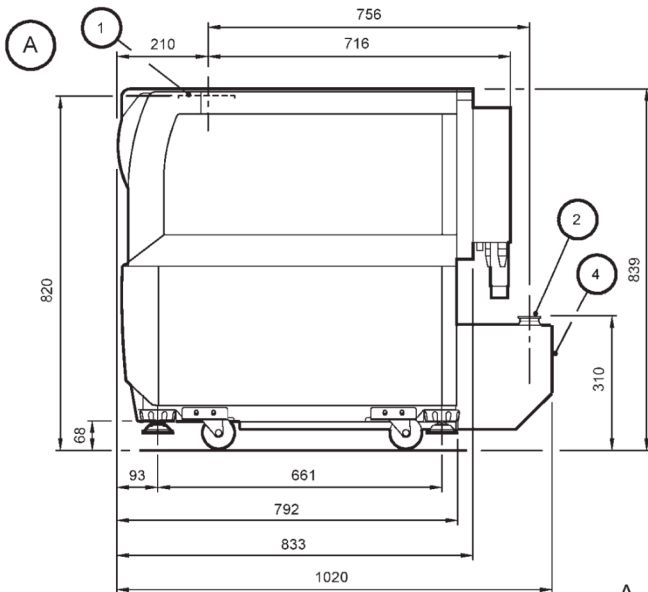
FAX: 831-462-3536

WWW.PROVAC.COM

## Edwards iK-500 Pumping Curves



## Dimensions



- A Side view
- B Plan view
- C Back view - exhaust enclosure
- D Outlet dimensions
- 1. Inlet
- 2. Outlet (as supplied)
- 3. Main enclosure air-extraction port
- 4. Exhaust enclosure air-extraction port