



Edwards XDS-46i

Technical Specifications

	Units	XDS46i
Peak pumping speed	m ³ h ⁻¹ (cfm)	40 (23.5)
Ultimate vacuum ⁽¹⁾	mbar (Torr)	0.05 (0.04)
Ultimate vacuum with gas ballast 1	mbar (Torr)	0.08 (0.06)
Ultimate vacuum with gas ballast 2	mbar (Torr)	< 10 (7.5)
Max inlet pressure for water vapour	mbar (Torr)	40 (30)
Water vapour handling capacity GBII	gh ⁻¹	240
Maximum continuous inlet pressure ⁽²⁾	mbar a (Torr a)	40 (30)
Maximum gas ballast/purge pressure	bar gauge (psig)	0.5 (7)
Motor data		
Supply voltage	V	100-120/200-240 (+/- 10%)
Supply frequency	Hz	50/60
Nominal rotation speed	rpm	1750
Power at ultimate	W	380
Motor power	W	520
Power connector		IEC EN60320 C19
Recommended fuse, 230 V (115 V)	A	16 ⁽³⁾ (20)
Physical data		
Weight	kg (lb)	48 (105)
Inlet connection		NW40
Exhaust connection		NW25
Noise level at ultimate	dB(A)	55.4
Noise level with acoustic enclosure	dB(A)	46.4
Vibration at inlet flange	mms ⁻¹ (rms)	< 4.5
Leak tightness (static)	mbar ls ⁻¹	< 1 x 10 ⁻⁶
Operating temperature range	°C (°F)	5 to 40 (41 to 104)

(1) measured as total pressure

(2) These pumps are designed to pump down from atmospheric pressure, but prolonged operation at inlet pressures higher than specified may reduce bearing life.

(3) for UK 240 V use 13 A fuse



PROVAC

SALES

PHONE: 831-462-8900

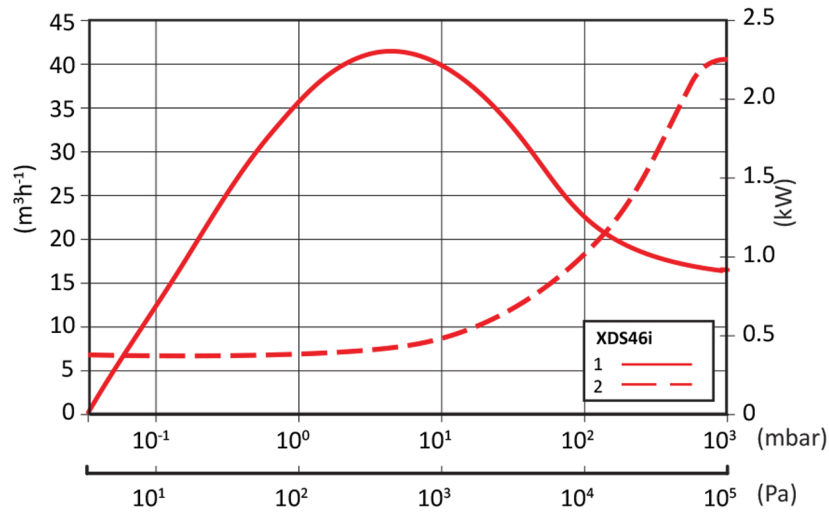
FAX: 831-462-3536

WWW.PROVAC.COM

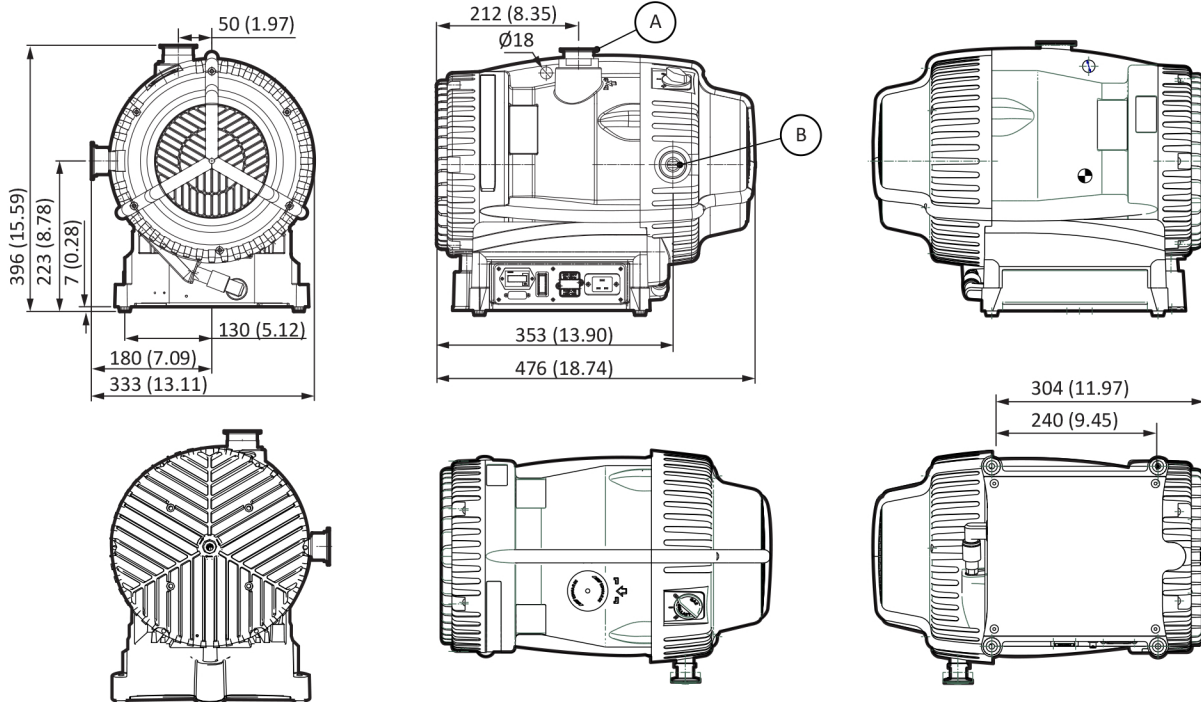
Edwards XDS-46i

Pumping Speeds

XDS46i



Dimensions



A. NW40
B. NW25



Edwards XDS-46i

Features & Benefits

- simple, single-sided scroll design
- patented isolated bearing shield
- low power consumption
- controllable gas ballast
- axial air gap motor
- world-wide voltage compatibility
- closed loop temperature monitoring
- dry, clean vacuum free of lubricants



Applications

- automotive • beam lines and high energy physics • centrifuges, ultra-high speed coating • cryogenics • degassing/curing - oil, epoxy resin • distillation/extraction/filtration • freeze drying
- furnaces • gel drying • laboratory bench top vacuum • lasers, gas recovery and re-circulation • leak detectors, helium load locks and transfer chambers • rare gas re-circulation • rare gas recovery • refrigeration manufacture • research and development
- rotary, centrifugal evaporators • scanning electron microscopes - SEM • SEM/FIB (Ion beam repair) • solvent recovery • surface science instruments • turbomolecular backing pumps