



# Edwards XDS-35i

## Technical Specifications

	Units	XDS35i	XDS35i Enhanced
Peak pumping speed	m <sup>3</sup> h <sup>-1</sup> (cfm)	35 (21)	
Ultimate vacuum <sup>(1)</sup>	mbar (Torr)	0.01 (0.008)	0.03 (0.02)
Ultimate vacuum with gas ballast 1	mbar (Torr)	0.02 (0.015)	0.04 (0.03)
Ultimate vacuum with gas ballast 2	mbar (Torr)	< 10 (7.5)	
Max inlet pressure for water vapour	mbar (Torr)	35 (23)	
Water vapour handling capacity GBII	gh <sup>-1</sup>	240	
Maximum continuous inlet pressure	mbar a (Torr a)	40 (30) <sup>(2)</sup>	1000 (760) *
Maximum gas ballast/purge pressure	bar gauge (psig)	0.5 (7)	
<b>Motor data</b>			
Supply voltage	V	100-120/200-240 (+/- 10%)	
Supply frequency	Hz	50/60	
Nominal rotation speed	rpm	1750	
Power at ultimate	W	440	
Motor power	W	520	
Power connector		IEC EN60320 C19	
Recommended fuse, 230 V (115 V)	A	16 <sup>(3)</sup> (15)	
<b>Physical data</b>			
Weight	kg (lb)	48 (105)	
Inlet connection		NW40	
Exhaust connection		NW25	
Noise level at ultimate	dB(A)	57	
Vibration at inlet flange	mms <sup>-1</sup> (rms)	< 4.5	
Leak tightness (static)	mbar ls <sup>-1</sup>	< 1 x 10 <sup>-6</sup>	
Operating temperature range	°C (°F)	5 to 40 (41 to 104)	

\* Use at higher inlet pressure speeds up tip seal wear

(1) measured as total pressure

(2) These pumps are designed to pump down from atmospheric pressure, but prolonged operation at inlet pressures higher than specified may reduce bearing life.

(3) for UK 240 V use 13 A fuse



# PROVAC

## SALES

PHONE: 831-462-8900

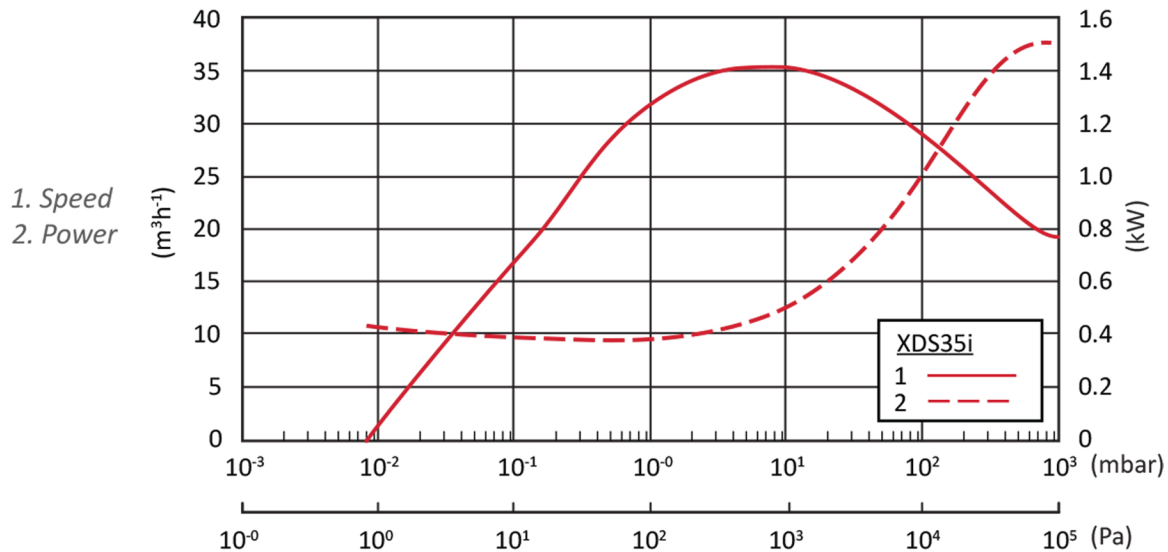
FAX: 831-462-3536

WWW.PROVAC.COM

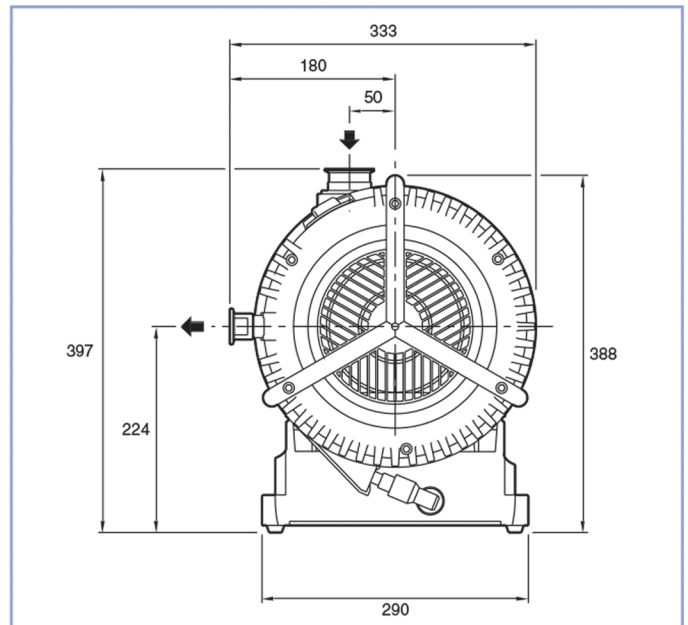
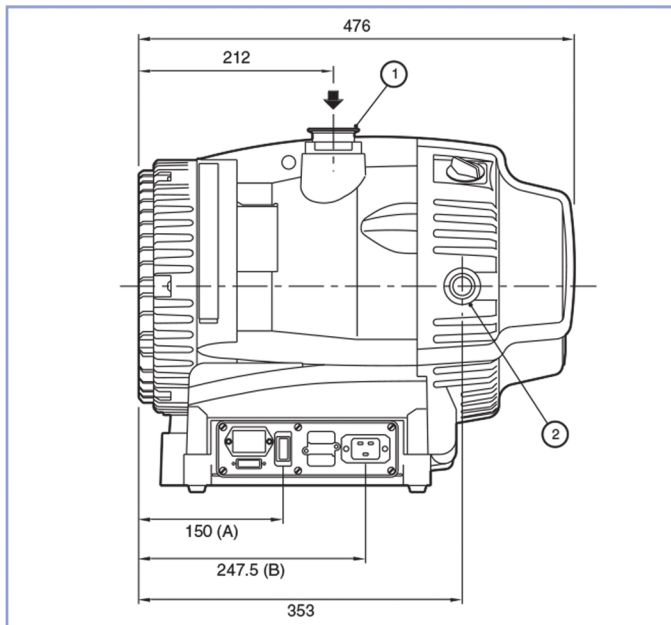
# Edwards XDS-35i

## Pumping Speeds

### XDS35i



## Dimensions





**PROVAC**  
SALES

PHONE: 831-462-8900

FAX: 831-462-3536

WWW.PROVAC.COM

## Edwards XDS-35i

### Features & Benefits

- closed loop temperature monitoring
- dry, clean vacuum free of lubricants
- simple, single-sided scroll design
- patented isolated bearing shield
- world-wide voltage compatibility
- low power consumption
- controllable gas ballast
- inverter driven motor



### Applications

- automotive • beam lines and high energy physics • centrifuges, ultra-high speed coating • cryogenics • degassing/curing - oil, epoxy resin • distillation/extraction/filtration • freeze drying
- furnaces • gel drying • laboratory bench top vacuum • lasers, gas recovery and re-circulation • leak detectors, helium load locks and transfer chambers • rare gas re-circulation • rare gas recovery • refrigeration manufacture • research and development
- rotary, centrifugal evaporators • scanning electron microscopes - SEM • SEM/FIB (Ion beam repair) • solvent recovery • surface science instruments • turbomolecular backing pumps