



# Edwards XDD1

## Technical Specifications

Parameter		XDD1 115/230 V 50/60 Hz	XDD1 24 V DC
Motor power	kW	0.08	0.064
Maximum permitted range of supply voltage (±10%)		Attention* 100-120 V 50/60 Hz 200-230 V 50/60 Hz	24 V DC
Maximum rated current:			
100-120 V 50/60 Hz	A	1.6 / 1.7	-
200-230 V 50/60 Hz	A	0.8 / 0.85	-
24 V DC	A	-	7
Motor protection		Thermal cut-out, manual reset	Temperature sensor on the PCB (current limitation)
Fuse		20 mm x 5 mm, 250 V, 2.5 A type T	

\* Voltage selection switch

Parameter		XDD1 115/230 V 50/60 Hz	XDD1 24 V DC
Pumping speed (ISO 21360)	m <sup>3</sup> /h	1.2 / 1.4	1.7 (2200 rpm)* 1.4 (1700 rpm)*
Ultimate vacuum (absolute)	mbar	1.5	< 1.0 (700 rpm)
No-load speed	min <sup>-1</sup>	1500 / 1800	100 - 2200
Maximum permissible outlet pressure (absolute)	bar	1.1	
Maximum pressure difference between inlet and outlet	bar	1.1	

\* Factory set

Parameter		XDD1 115/230 V	XDD1 24 V DC
Degree of protection IEC 529		IP 40	IP 20
Permitted ambient temperature storage / operation	°C	-10 to +60 / +10 to +40	
Permitted relative atmospheric moisture during operation (no condensation)	%	30 to 85	
Maximum operating altitude	m	2000	
IEC rated pollution degree		2	
Sound level	dB(A)	45	
Area of use		Indoor use only	

Parameter		XDD1 115/230 V	XDD1 24 V DC
Mass	kg	6.7	4.1
Overall dimensions		Refer to Figure 3	Refer to Figure 4
Inlet connection		Small flange NW 16	
Outlet connection		Silencer G 1/8 inch	



# PROVAC

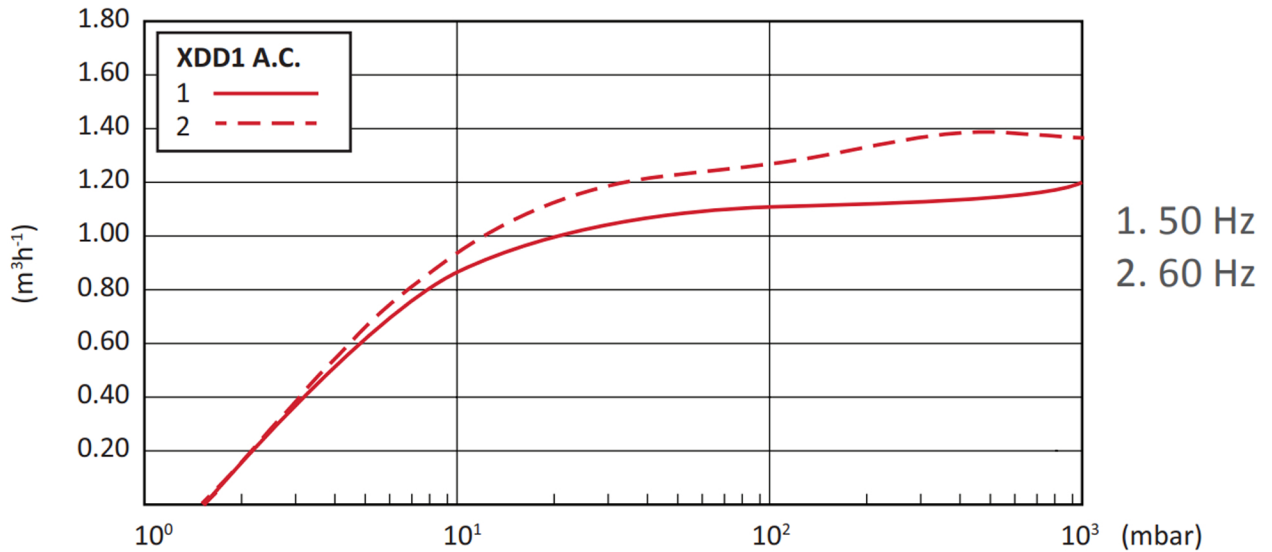
## SALES

PHONE: 831-462-8900

FAX: 831-462-3536

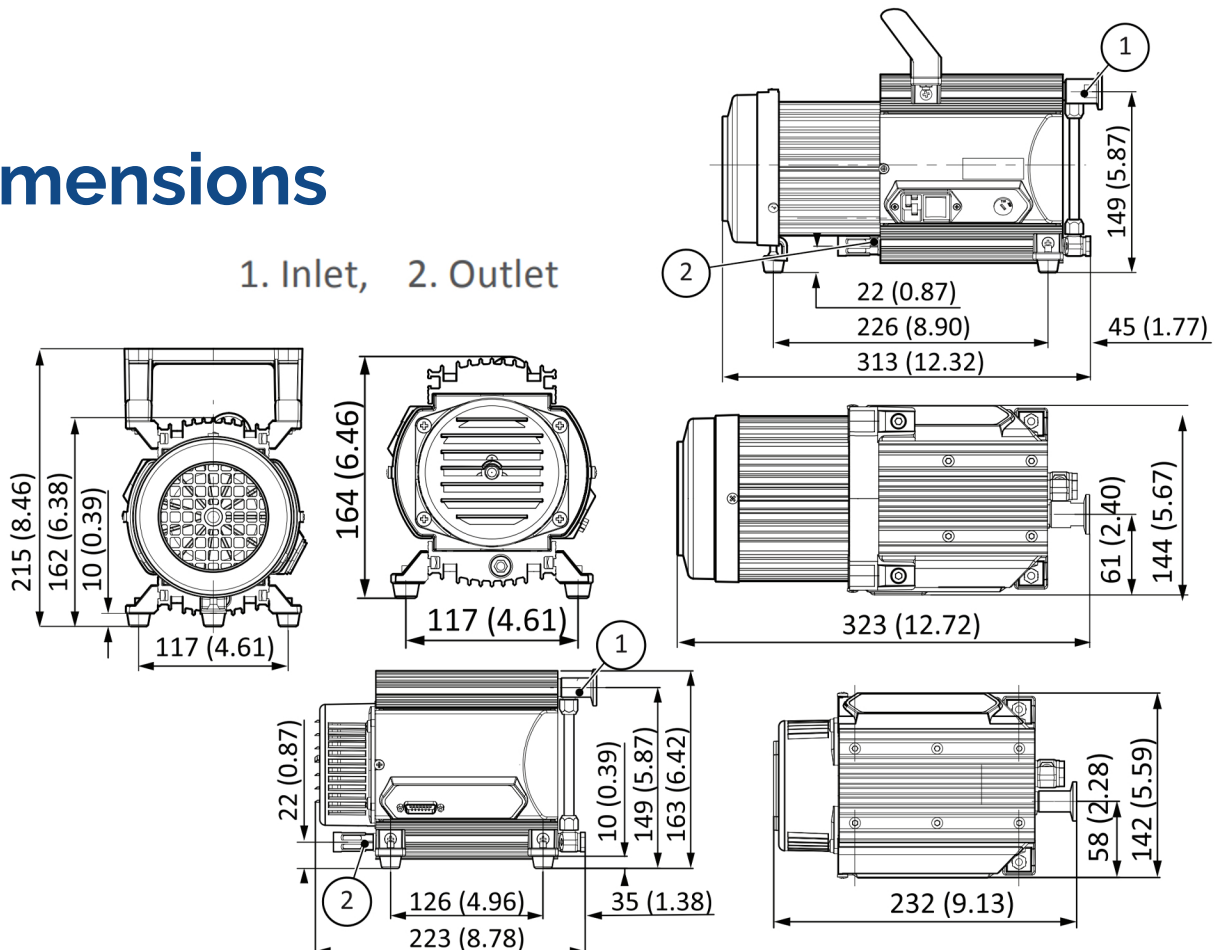
WWW.PROVAC.COM

## Edwards XDD1 Pumping Curves



## Dimensions

1. Inlet, 2. Outlet





# PROVAC

## SALES

PHONE: 831-462-8900

FAX: 831-462-3536

WWW.PROVAC.COM

## Edwards XDD1 Features & Benefits

- designed to be free standing bench top unit
- lightweight, compact & efficient
- virtually maintenance free
- dry pumping, lubricant free technology
- ideal backing pump for small turbo pumps

## Applications

- residual gas analysis • mass spectrometers • cryostat & dewar evacuation • ion pump evacuation • surface science • backing turbo pumps

