



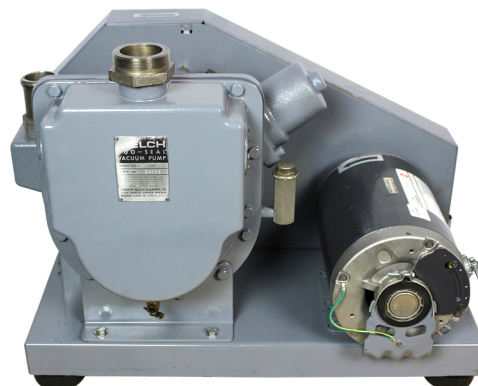
Welch 1374, 1376, 1397

Technical Specifications

Specifications

Two - Stage Vacuum Pumps

Welch Model	1374	1376	1397
Free Air Displacement			
cfm	23	10.6	17.7
l/min.	650	300	500
Ult. Pressure, torr(mbar) ¹	1 x 10 ⁻⁴ (0.00013)	1 x 10 ⁻⁴ (0.00013)	1 x 10 ⁻⁴ (0.00013)
Gas Ballast	Yes	Yes	Yes
Pump RPM	510	525	400
Motor Horsepower (watts)	1-1/2(1120)	1(750)	1(750)
Oil Capacity, qt.(liters)	1.25(1.2)	2.5(2.4)	1.25(1.2)
Tubing Needed, I.D. in.	1-5/8(41)	13/16(21)	1-5/8(41)
Intake, Nipple Thread	1.75-20	1-20	1.75-20
Exhaust, Thread Type	1.75-20	1-20	1.75-20
Weight, lbs. (kg)	220(100)	156(71)	205(93)
Overall Dimensions			
L in.(cm)	26(66)	20(51)	26(66)
W in.(cm)	13.7(34.8)	14.1(35.9)	13.7(34.8)
H in.(cm)	18.8(47.6)	15.4(39)	18.8(47.6)
Ship Weight, lbs.(kg)	215(97.7)	180(81.8)	213(96.8)
Shipping Carton Dimensions			
LxWxH in.(cm)	27.3x18x22 (69.3x45.7x55.9)	22x18x19 (55.9x45.7x48.3)	27.3x18x22 (69.3x45.7x55.9)





PROVAC

SALES

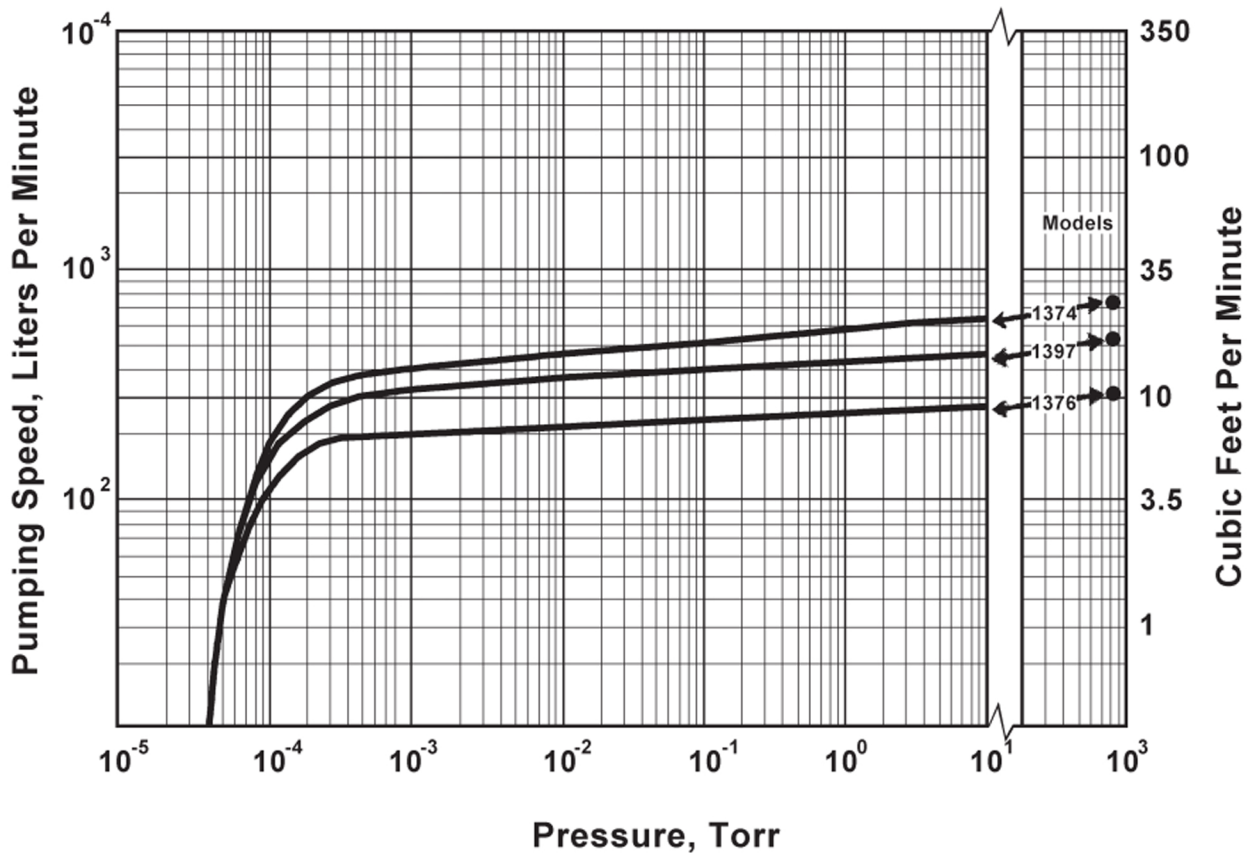
PHONE: 831-462-8900

FAX: 831-462-3536

WWW.PROVAC.COM

Welch 1374, 1376, 1397

Pumping Curves



Applications

- vacuum ovens • glove boxes • general laboratory vacuum • distillation
- freeze drying • refrigeration servicing • degassing • distillation
- concentration



PROVAC

SALES

PHONE: 831-462-8900

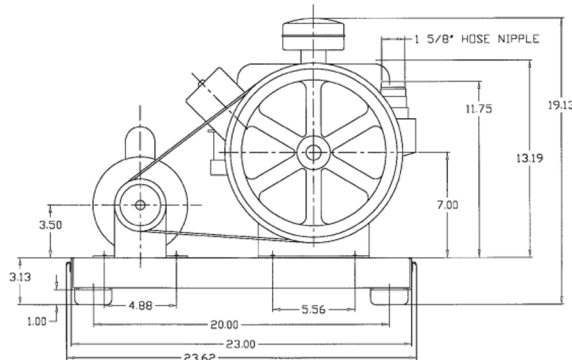
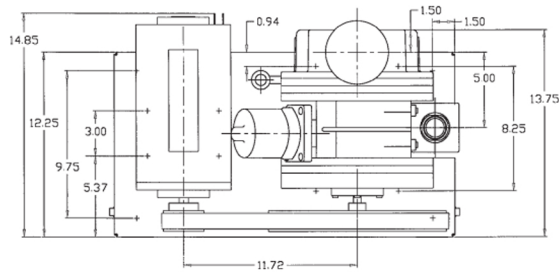
FAX: 831-462-3536

WWW.PROVAC.COM

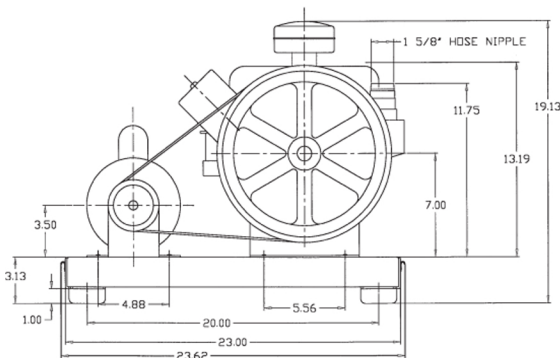
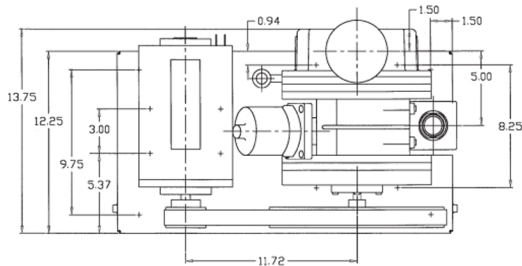
Welch 1374, 1376, 1397

Dimensions

1397-01



1374B-01



1376B-01

