



PROVAC

S A L E S

PHONE: 831-462-8900

FAX: 831-462-3536

WWW.PROVAC.COM

Leybold WS/WSU-151

Technical Specifications

RUVAC WS / WSU		151
Nominal pumping speed	cfm	108
Maximum pumping speed	cfm	92
at backing pump speed	cfm	28
Possible switch in ressure RUVAC WS	Torr	35
at backing pump speed	cfm	28
Maximum allowable pressure differential in continuous operation	Torr	98
Supply voltage, 60 Hz	DC	208-230/460 V, 3-phase
Motor power, 60 Hz	HP	1.5
Ratet rotational speed of pump, 60 Hz	rpm	3600
Max. possible rotational speed	rpm	6000
Oil charge		
for vertical pump flow	qt	.75
for horizontal pump flow	qt	.55
Weight WS/WSU	lbs	188/199
Connecting flanges	ANSI	3"



PROVAC

SALES

PHONE: 831-462-8900

FAX: 831-462-3536

WWW.PROVAC.COM

Leybold WS/WSU-151

Pumping Curves

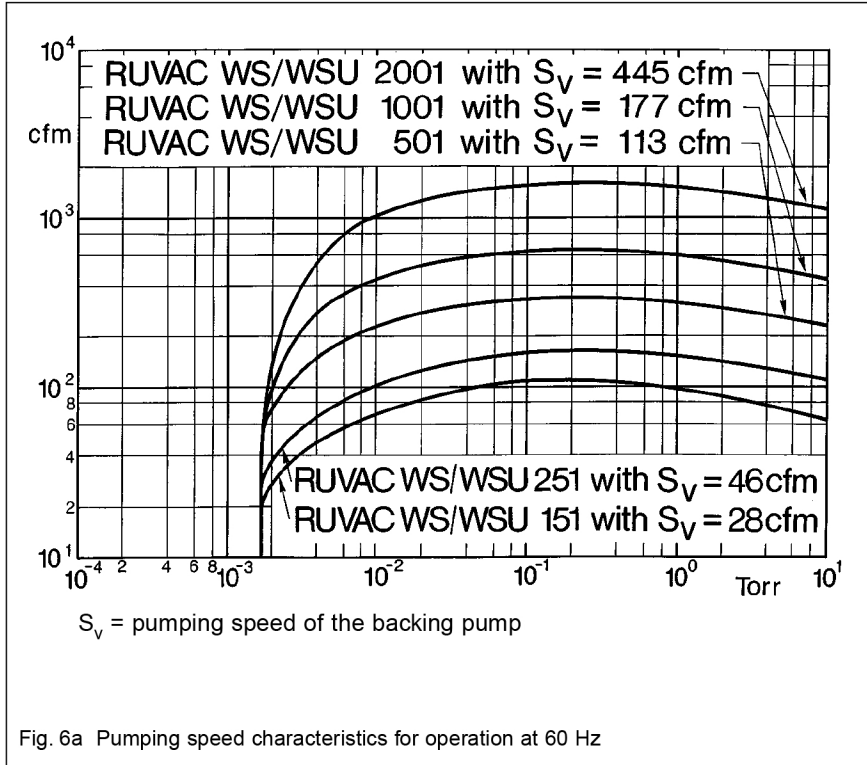


Fig. 6a Pumping speed characteristics for operation at 60 Hz

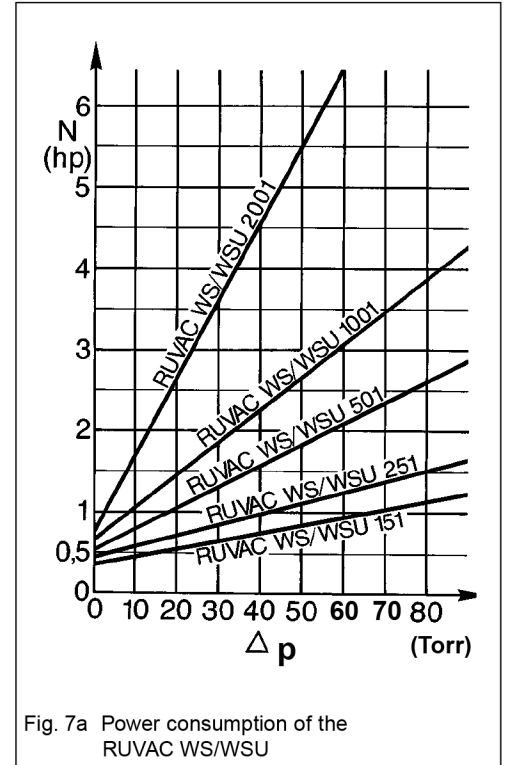
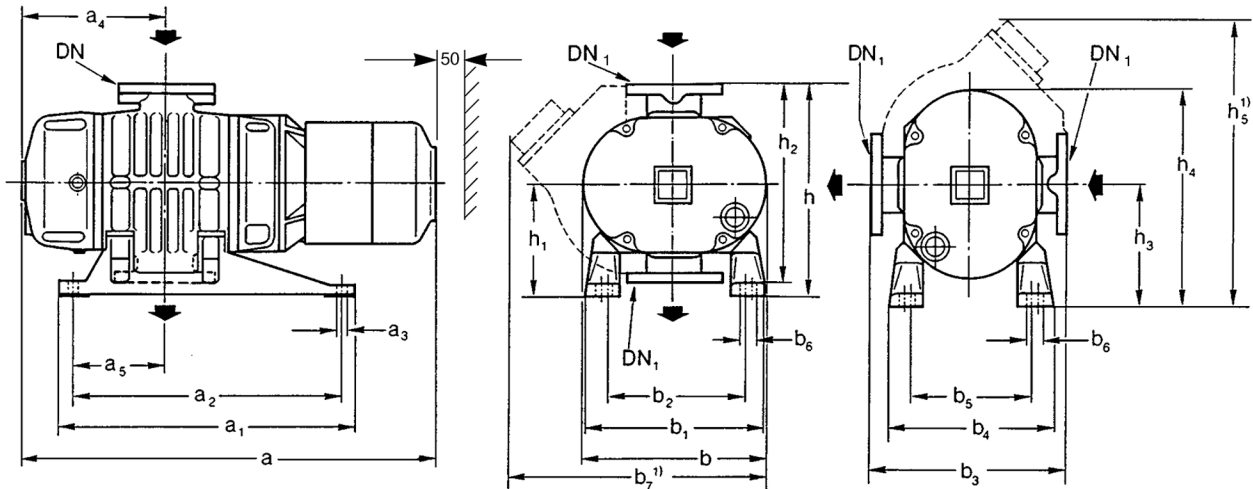


Fig. 7a Power consumption of the RUVAC WS/WSU



Leybold WS/WSU-151

Dimensions



Dimensions in inches for RUVAC WS and WSU (US-Versions)

Type	DN	DN ¹⁾²⁾	a	a1	a2	a3	a4	a5	a6	b	b1	b2	b3
WS 151	3" ASA	65	24 ^{31/32}	15 ^{3/4}	14 ^{11/32}	17 ^{1/32}	7 ^{3/32}	3 ^{13/16}	2	9 ^{27/32}	11 ^{1/32}	8 ^{15/32}	11
WSU 151	3" ASA	65	24 ^{31/32}	15 ^{3/4}	14 ^{11/32}	17 ^{1/32}	7 ^{3/32}	3 ^{13/16}	2	9 ^{27/32}	11 ^{1/32}	8 ^{27/32}	11
WS/WSU 251	3" ASA	65	27 ^{15/32}	15 ^{15/16}	14 ^{3/88}	17 ^{1/32}	8 ^{11/32}	4 ^{23/32}	2	9 ^{27/32}	10 ^{5/8}	8 ^{9/32}	11
WS/WSU 501	3" ASA	65	29 ^{11/32}	19 ^{1/8}	17 ^{23/32}	17 ^{1/32}	9 ^{13/32}	6 ^{3/32}	2	12 ^{3/32}	11 ^{25/32}	9	12 ^{19/32}
WS/WSU 1001	4" ASA	100	34 ^{15/16}	22 ^{1/16}	20 ^{16/32}	21 ^{1/32}	11 ^{13/16}	7 ^{3/32}	2	14 ^{21/32}	13 ^{7/8}	10 ^{31/32}	14 ^{9/16}
WS/WSU 2001	6" ASA	150	43 ^{11/16}	31 ^{1/2}	29 ^{5/32}	11 ^{1/16}	14 ^{17/32}	8 ^{21/32}	2	18	20 ^{13/32}	15 ^{3/8}	18 ^{1/8}

Type	b4	b5	b6	b7 ¹⁾	h	h1	h2	h3	h4	h5 ¹⁾
WS 151	9 ^{15/32}	6 ^{29/32}	15 ^{1/16}	-	11 ^{13/16}	6 ^{5/16}	11 ^{1/32}	7 ^{3/32}	12 ^{1/6}	-
WSU 151	9 ^{25/32}	7 ^{1/4}	15 ^{1/16}	12	11 ^{13/16}	6 ^{5/16}	11 ^{1/32}	7 ^{3/32}	12 ^{1/6}	14 ^{3/16}
WS/WSU 251	9 ^{1/16}	6 ^{1/16}	15 ^{1/16}	12	11 ^{13/16}	6 ^{5/16}	11 ^{1/32}	7 ^{3/32}	12 ^{1/16}	14 ^{3/16}
WS/WSU 501	10 ^{21/32}	7 ^{29/32}	15 ^{1/16}	15 ^{1/32}	13 ^{3/8}	7 ^{3/32}	12 ^{19/32}	7 ^{5/8}	13 ^{23/32}	16 ^{15/16}
WS/WSU 1001	12 ^{19/32}	9 ^{11/16}	15 ^{1/16}	19 ^{5/16}	15 ^{19/32}	8 ^{5/16}	14 ^{9/16}	8 ^{15/16}	16 ^{5/16}	20 ^{15/16}
WS/WSU2001	16 ^{5/8}	11 ^{1/2}	29 ^{9/32}	25	20 ^{7/8}	11 ^{13/16}	18 ^{1/8}	13 ^{13/16}	22 ^{3/4}	29 ^{21/32}

¹⁾ for RUVAC WSU only

²⁾ according to DIN 2501, ND 6 (in metric system)