



PROVAC

S A L E S

PHONE: 831-462-8900

FAX: 831-462-3536

WWW.PROVAC.COM

Leybold WA-151, WAU-151 Technical Specifications

RUVAC WA / WAU		151
Nominal pumping speed	cfm	108
Maximum pumping speed	cfm	92
at backing pump speed	cfm	28
Possible cut-in pressure RUVAC WA	Torr	35
at backing pump speed	cfm	28
Maximum allowable pressure differential in continuous operation	Torr	98
Supply voltage, 60 Hz, 3 phase	V / DC	200/230/460
Motor power	HP	1.5
Rated rotational speed, 60 Hz	rpm	3600
Oil filling for gear box, - vertical flow	qt	.75
- horizontal flow	qt	.55
Oil filling for shaft seal housing for vertical and horizontal flow	qt	.74
Weight WA/WAU	lbs	177/185
Connecting flanges	ANSI	3"
Permissible ambient temperatures	°F	54 - 104



PROVAC

SALES

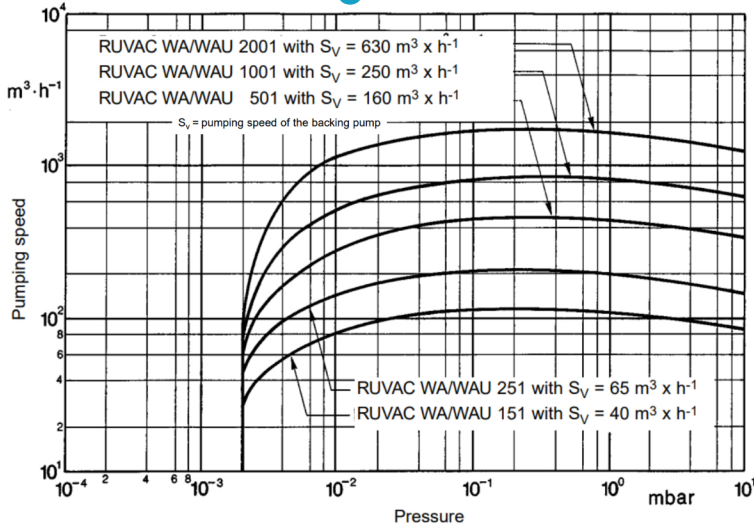
PHONE: 831-462-8900

FAX: 831-462-3536

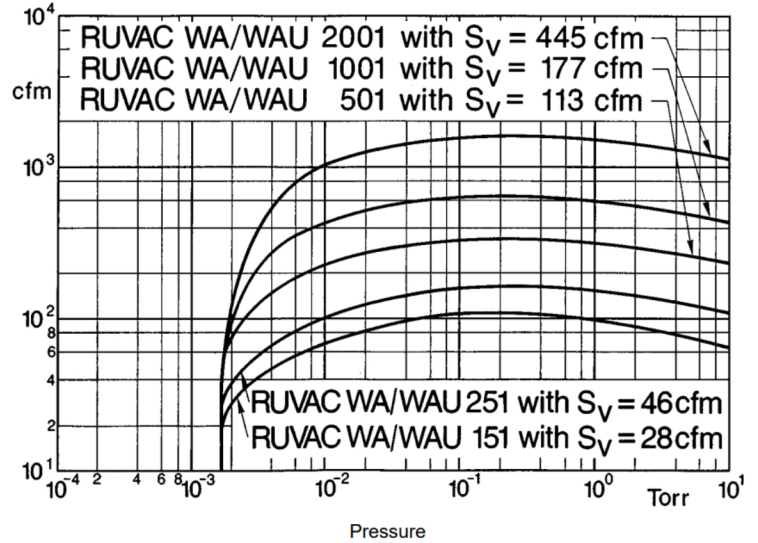
WWW.PROVAC.COM

Leybold WA-151, WAU-151 Pumping Curves

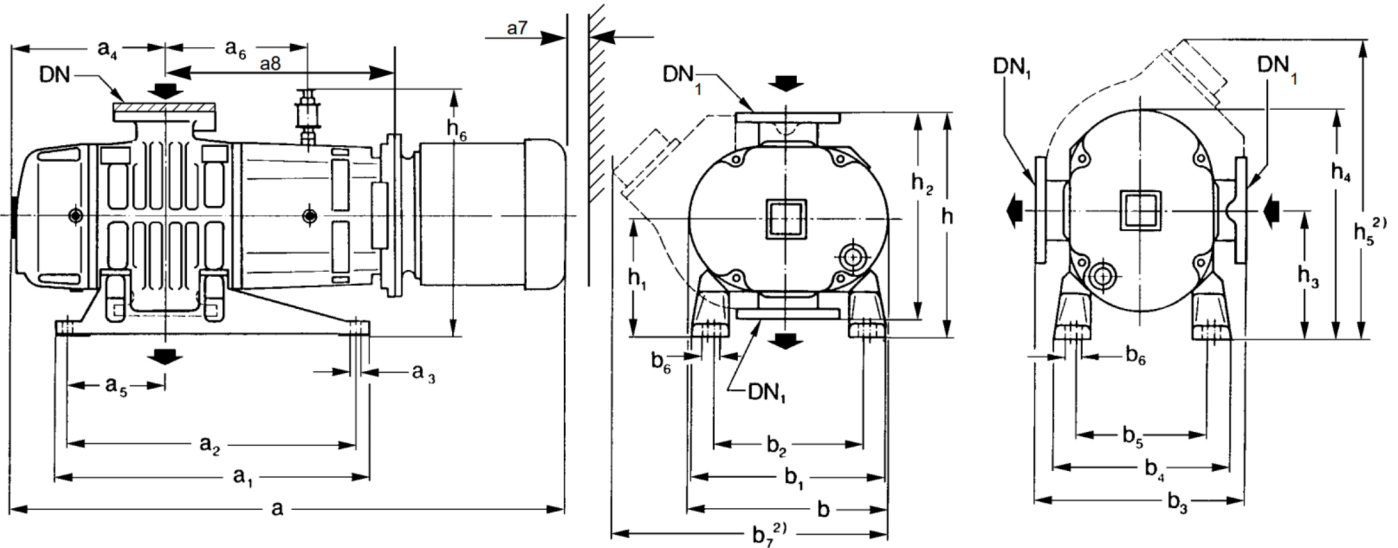
50Hz



60Hz



Dimensions



Type	DN	DN ¹²⁾	a	a1	a2	a3	a4	a5	a6	a7	a8	b	b1
WA 151	3" ASA	65	28 ^{3/4}	15 ^{3/4}	14 ^{11/32}	17 ^{1/32}	7 ^{3/32}	3 ^{13/16}	6 ^{7/16}	13 ^{1/32}	10 ^{3/16}	9 ^{27/32}	11 ^{1/32}
WAU 151	3" ASA	65	28 ^{3/4}	15 ^{3/4}	14 ^{11/32}	17 ^{1/32}	7 ^{3/32}	3 ^{13/16}	6 ^{7/16}	13 ^{1/32}	10 ^{3/16}	9 ^{27/32}	11 ^{11/32}

Type	b2	b3	b4	b5	b6	b7 ¹⁾	h	h1	h2	h3	h4	h5 ¹⁾	h6
WA 151	8 ^{15/32}	11	9 ^{7/16}	6 ^{29/32}	1 ^{5/16}	12	11 ^{13/16}	6 ^{5/16}	11 ^{1/32}	7 ^{3/32}	12 ^{1/16}	14 ^{3/16}	13
WAU 151	8 ^{13/16}	11	9 ^{25/32}	7 ^{1/4}	1 ^{5/16}	12	11 ^{13/16}	6 ^{5/16}	11 ^{1/32}	7 ^{3/32}	12 ^{1/16}	14 ^{3/16}	13