



Leybold WA/WAU-1001, 2001

Technical Specifications

		WA/WAU (H) 1001		WA/WAU(H) 2001	
		50 Hz	60 Hz	50 Hz	60 Hz
Nominal pumping speed ¹⁾	m ³ x h ⁻¹ (cfm)	1000 (589)	1200 (707)	2050 (1207.5)	2460 (1449)
Max. effective pumping speed with backing pump	m ³ x h ⁻¹ (cfm) SOGEVAC	800 (470) SV 300 B	1000 (588) SV 300 B	1850 (1089) SV 630 BF	2100 (1236) SV 630 BF
Ultimate total pressure ²⁾	mbar (Torr)	< 4 x 10 ⁻² (< 3 x 10 ⁻²)	< 4 x 10 ⁻² (< 3 x 10 ⁻²)	< 4 x 10 ⁻² (< 3 x 10 ⁻²)	< 4 x 10 ⁻² (< 3 x 10 ⁻²)
Max. permissible pressure difference during continuous operation ³⁾	mbar (Torr)	80.0 (60.0)	80.0 (60.0)	50.0 (37.5)	50.0 (37.5)
Leak rate, integral	mbar x l x s ⁻¹	< 5 x 10 ⁻⁴	< 5 x 10 ⁻⁴	< 5 x 10 ⁻⁴	< 5 x 10 ⁻⁴
Mains supply	V	200-240	200-240	200-240	200-240
	V	380-400	380-480	380-400	380-480
Thermal class		F	F	F	F
Permissible ambient temperatures	°C (°F)	+5 to +40 (+ 41 to +104)	+5 to +40 (+ 41 to +104)	+5 to +40 (+ 41 to +104)	+5 to +40 (+ 41 to +104)
Motor power	kW (hp)	4.0 (5.4)	4.0 (5.4)	7.5 (10.0)	7.5 (10.0)
Energy efficiency class		IE 2	IE 2	IE 2	IE 2
Nominal speed, approx.	rpm	3000	3600	3000	3600
Max. permissible speed	rpm	3600	3600	3600	3600
Type of protection	IP	55	55	55	55
ATEX protection category ⁴⁾		Category 3i	Category 3i	Category 3i	Category 3i
Lubricant for the bearing chamber ⁵⁾	vertical pumping action, approx.	1.8 (1.90)	1.8 (1.90)	3.6 (3.81)	3.6 (3.81)
	horizontal pumping action, approx.	1.1 (1.16)	1.1 (1.16)	2.4 (2.54)	2.4 (2.54)
Lubricant of the shaft sealing ring housing	l (qt)	1.3 (1.37)	1.3 (1.37)	1.6 (1.69)	1.6 (1.69)
Connection flanges	DN	100 ISO-K	100 ISO-K	160 ISO-K	160 ISO-K
Materials (materials in contact with the gas)		C steel, CrNi steel, grey cast iron, FPM (FKM)	C steel, CrNi steel, grey cast iron, FPM (FKM)	C steel, CrNi steel, grey cast iron, FPM (FKM)	C steel, CrNi steel, grey cast iron, FPM (FKM)
Weight WA / WAU	kg (lbs)	220.0 / 225.0 (485.1 / 496.1)	220.0 / 225.0 (485.1 / 496.1)	400.0 / 406.0 (882.0 / 895.2)	400.0 / 406.0 (882.0 / 895.2)
Noise level ⁶⁾	dB(A)	< 70	< 73	< 72	< 77



PROVAC

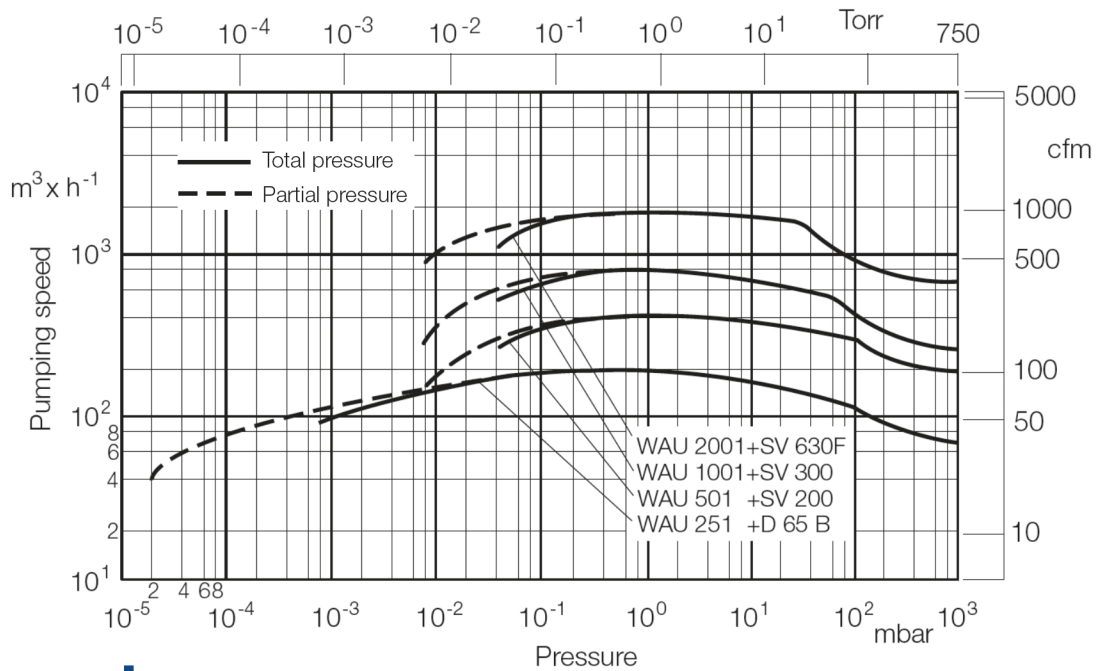
SALES

PHONE: 831-462-8900

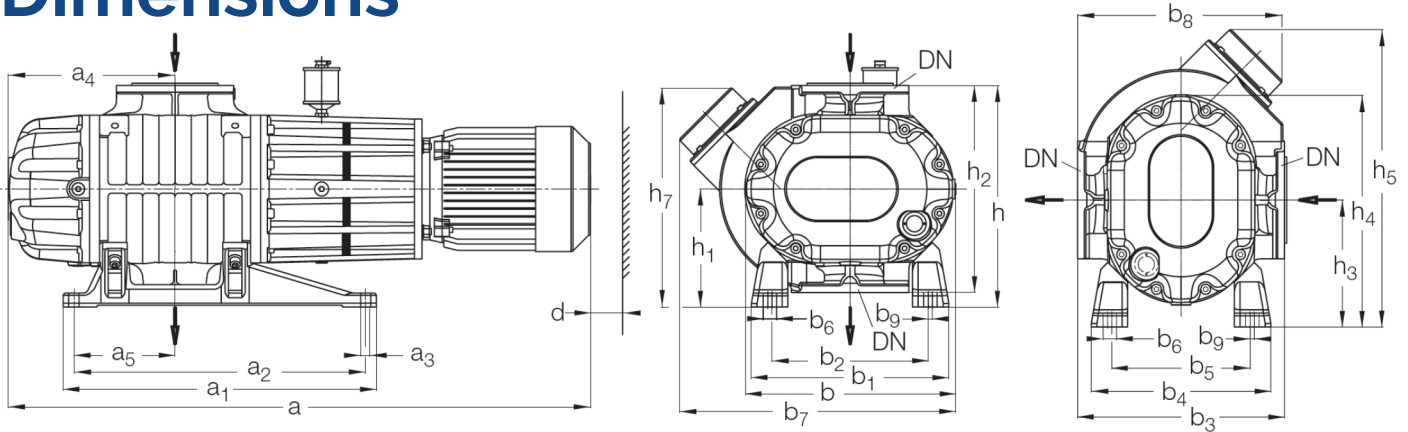
FAX: 831-462-3536

WWW.PROVAC.COM

Leybold WA/WAU-1001, 2001 Pumping Curves



Dimensions



Type		DN	a ¹⁾	a ₁	a ₂	a ₃	a ₄	a ₅	a ₆	b		
WA/WAU 1001	mm	100	1054	560	520	16.5	298	180	262	376		
	in.		41.50	22.05	20.47	0.65	11.73	6.10	10.31	14.80		
WA/WAU 2001	mm	160	1275	800	740	18	367	220	310	463		
	in.		50.20	31.50	29.13	0.71	14.45	8.66	12.20	18.23		
			b ₁	b ₂	b ₃	b ₄	b ₅	b ₆	b _{7²⁾}	b ₈	b ₉	d
WA/WAU 1001	mm		352	278	370	320	246	24	494	366	7.5	50
	in.		13.86	10.94	14.57	12.60	7.91	0.94	19.45	14.41	0.30	2.00
WA/WAU 2001	mm		518	388	460	422	292	24	638	456	7.5	50
	in.		20.39	15.28	18.11	16.61	11.50	0.94	25.12	17.95	0.30	2.00
			h	h ₁	h ₂	h ₃	h ₄	h _{5²⁾}	h ₆	h ₇		
WA/WAU 1001	mm		396	211	370	227	414	532	425	392		
	in.		15.59	8.31	14.57	8.94	16.30	20.94	425	15.43		
WA/WAU 2001	mm		530	300	460	351	578	753	541	523		
	in.		20.87	11.81	18.11	13.82	22.76	29.65	21.3	20.59		



PROVAC

SALES

PHONE: 831-462-8900

FAX: 831-462-3536

WWW.PROVAC.COM

Leybold WA/WAU-1001, 2001 Features & Benefits

- reliable & trouble-free
- sealing rings & their housing can be readily replaced
- easy to exchange with custom motors
- integrated pressure equilization line for protection against overloading
- conversion from vertical to horizontal pumping action can be done
- provided with directly flange-mounted air-cooled, 3 phase motors

Applications

- vacuum coating • chemistry • pharmaceutical • metallurgy • furnaces
- packaging • central vacuum supply systems • freeze drying • electrical engineering • mechanical engineering • automotive industry

