



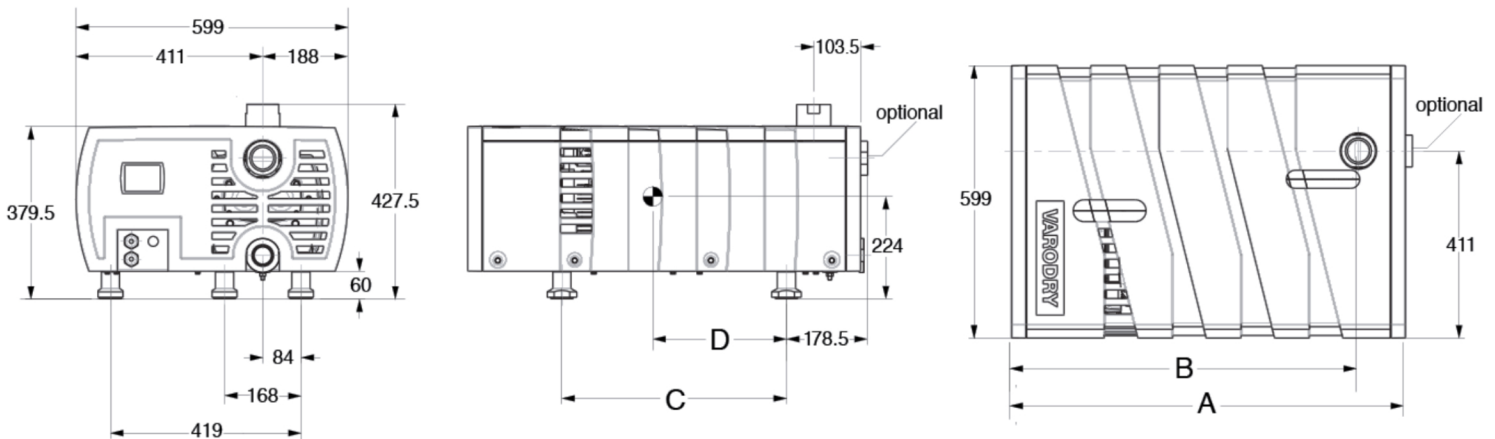
Leybold Varodry VD series

Technical Specifications

VARODRY		VD 65 OEM	VD 100 OEM	VD 160 OEM	VD 200 OEM
Max. pumping speed	m ³ /h	65	105	150	200
Ultimate pressure without gas ballast	mbar	< 0.01			
Ultimate pressure with gas ballast	mbar	< 0.1			
Max. permissible inlet pressure	mbar	1050			
Max. permissible outlet pressure (rel. to ambient)	mbar	200			
Water vapor tolerance with gas ballast	mbar	60			
Water vapor capacity with gas ballast	kg/h	1,9	2,9	5.2	6.9
Noise level (with built-in silencer) at ultimate pressure (50 / 60 Hz)*	dB(A)	67 / 70		70 / 73	
Permissible ambient temperature	°C	0 to +40			
Rated motor power	kW	1.5	2.2	3.0	4.0
Protection class		IP55			
In- & outlet connection		G 2" (In) - G 1 1/2" (Out)			
Dimensions [L x W x H]:	kg	644 x 488 x 315	736 x 488 x 315	889 x 488 x 315	
Weight, approx.	kg	85	95	105	115

*According to DIN EN ISO 2151

Dimensions



VARODRY Type	A	B	C	D
VD 65	773	670	402	253
VD 100	865	762	494	294
VD 160 / VD 200	1060	957	647	270



PROVAC

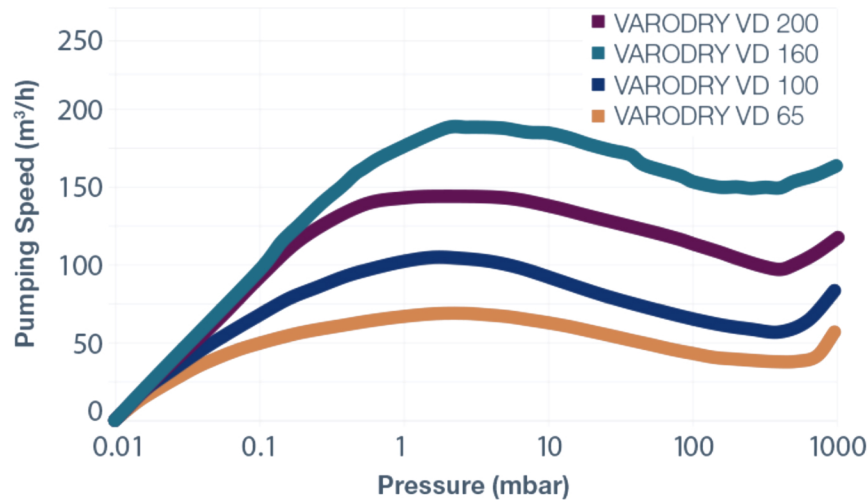
SALES

PHONE: 831-462-8900

FAX: 831-462-3536

WWW.PROVAC.COM

Leybold Varodry VD series Pumping Curves



Features & Benefits

- dry screw vacuum pumps, air cooled, contamination free
- effortless installation, seamless control via VSD or regulation valves
- minimal total cost of ownership; low power consumption
- maximized performance, excellent vapor pumping capacity
- long life & extended service intervals
- quiet, low-pitch sound level
- robust pump design
- innovative belt drive



Applications

- plastic extrusion • industrial cleaning • heat treatment • industrial furnaces • electrical industries • lithium ion battery manufacturing
- charging • refrigeration & air conditioner • lamination • degassing, drying, plasma cleaning • industrial gases • CNC, holding & lifting
- paper handling • composite production