



# PROVAC

## SALES

PHONE: 831-462-8900

FAX: 831-462-3536

WWW.PROVAC.COM

# Vacuubrand VacuuPure 10

## Technical Specifications

### VACUU·PURE 10

Max. pumping speed	10 m <sup>3</sup> /h
Ultimate vacuum (abs.)	5 x 10 <sup>-3</sup> mbar (at 1013 mbar ambient pressure)
Max. inlet pressure (abs.)	atmospheric pressure
Max. outlet pressure (abs.)	15 mbar above atmospheric pressure
Ambient temperature range (operation)	10 - 40 °C
Ambient temperature range (storage)	-10 - 60 °C
Inlet connection	small flange KF DN 25
Outlet connection	small flange KF DN 25
Rated motor power	0.7 kW
Protection class	IP 20
Dimensions (L x W x H), approx.	507 x 269 x 413 mm
Weight, approx.	21.1 kg
Noise (sound pressure level), uncertainty 3 dBA	55 dBA





# PROVAC

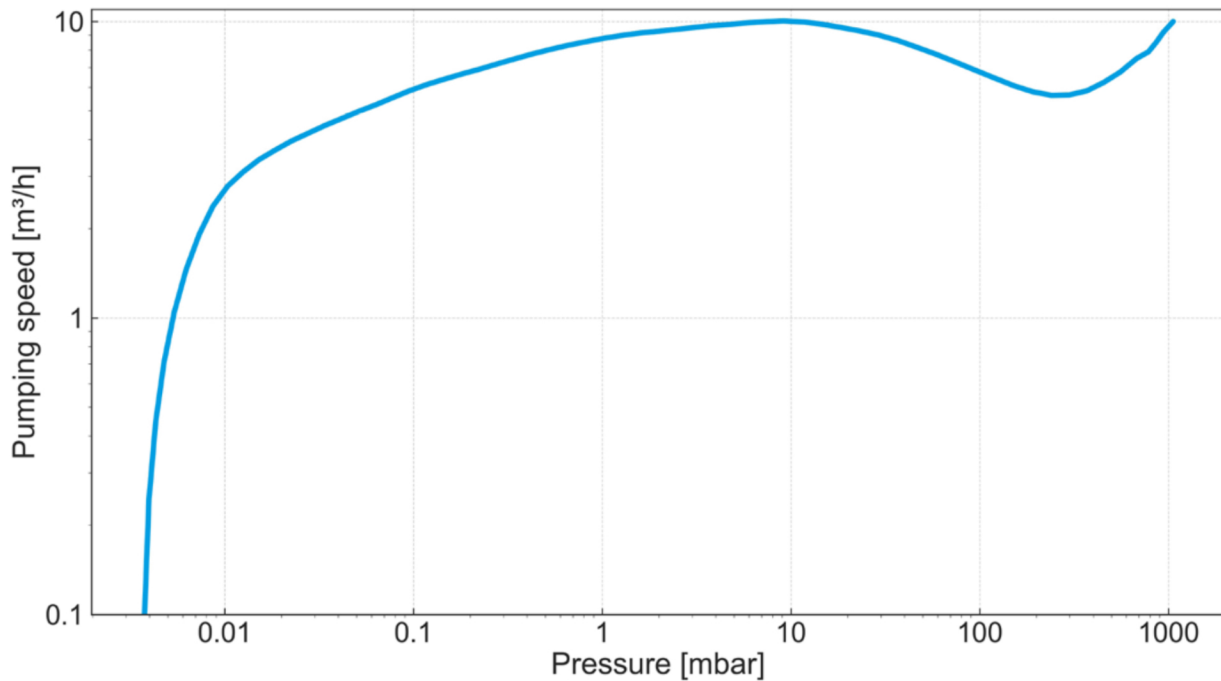
## SALES

PHONE: 831-462-8900

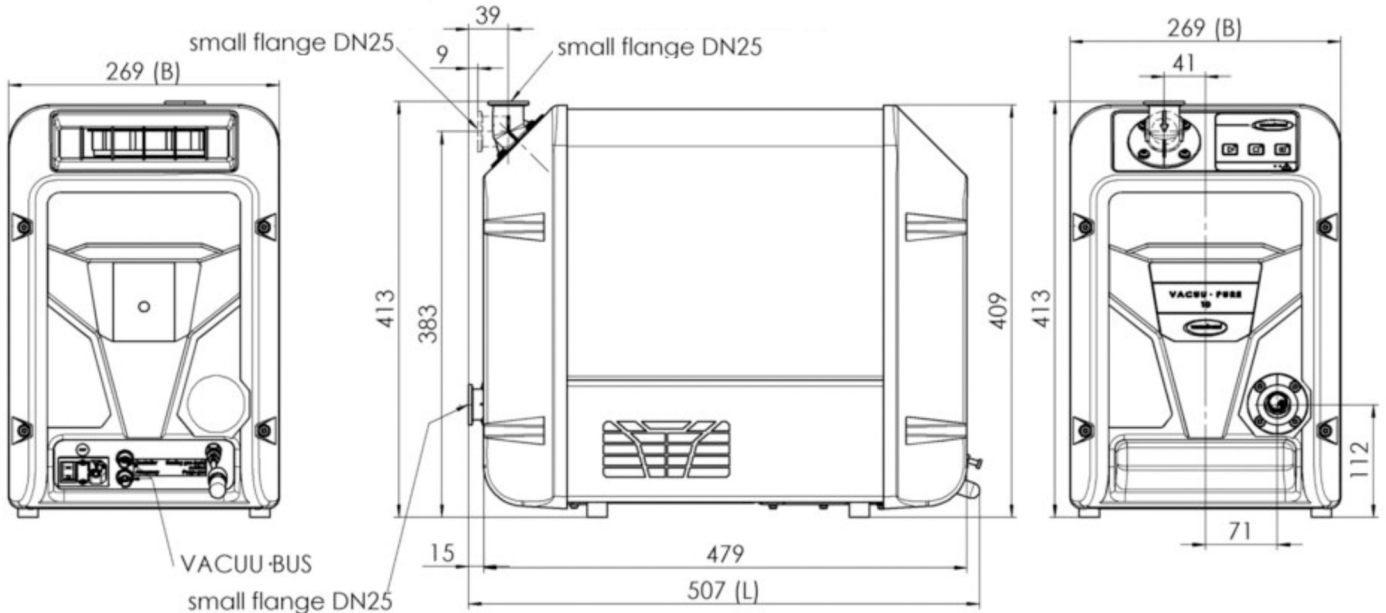
FAX: 831-462-3536

WWW.PROVAC.COM

## Vacuubrand VacuuPure 10 Pumping Curves



## Dimensions





# PROVAC

## SALES

PHONE: 831-462-8900

FAX: 831-462-3536

WWW.PROVAC.COM

---

## Vacuubrand VacuuPure 10

### Features & Benefits

- oil-free vacuum technology, contamination free
- no abrasion or wear parts
- can be used from atmospheric pressure to its ultimate vacuum
- exceptional vapor & condensate compatibility
- easy installation, user friendly
- rugged, air cooled design
- trouble-free operation
- saves on time & operating costs
- rotatable inlet
- regeneration mode: quick drying cycles after high condensate load

### Applications

- forevacuum generation for turbo pumps • vacuum drying • coating
- regeneration of cryo pumps • analytical • freeze drying • heat treatment • degassing