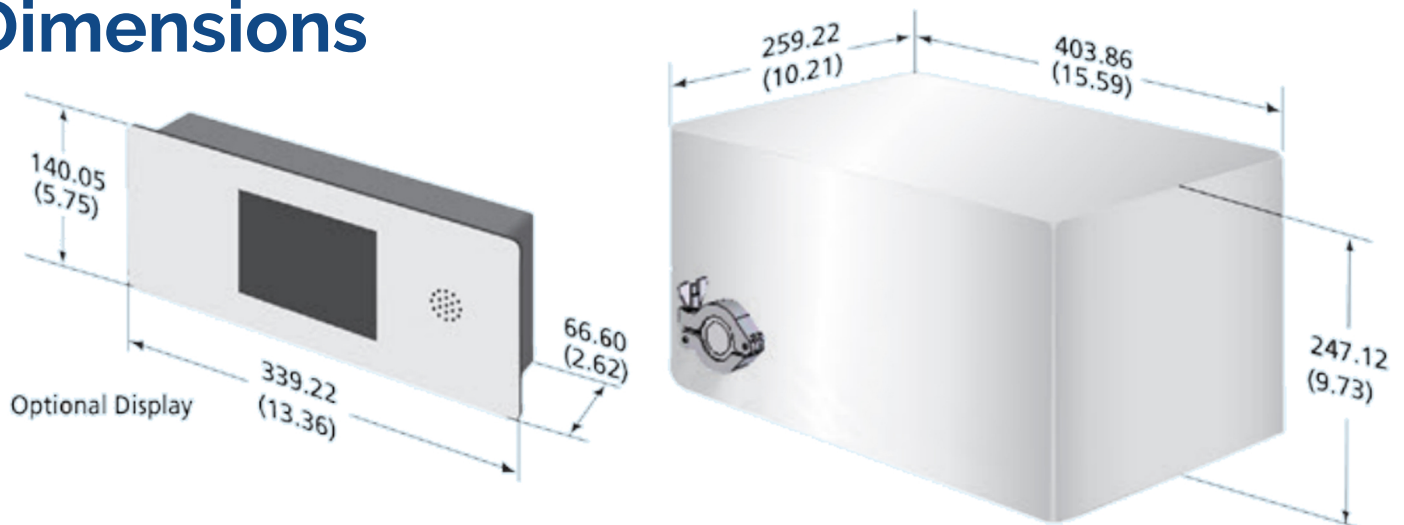




Agilent VS C15 Technical Specifications

Minimum Detectable Leak	5×10^{-10} atm · cc/sec; 5×10^{-10} mbar l/s; 5×10^{-11} Pa m3/sec
Selectable Sensitivity Ranges	4 working ranges covering 1×10^{-3} – 1×10^{-9} atm · cc/sec Torr
Maximum Test Port Pressure	5 Torr, 7 mbar, 667 Pa
Calibration Routine	Automated or manual (internal or external)
Internal Calibrated Leak	$\sim 1 \times 10^{-7}$ atm · cc/sec (scalable across all leak ranges)
Background Suppression	Auto zero, and auto zero < zero function
Display Interface (optional)	High clarity TFT color touch screen
Display – Selectable Languages	English, French, German, Spanish, Japanese, Korean, Mandarin
Set Points	5 set points: 4 leak rate and/or pressure, 1 audio
Analog Output	0-10V, log 1V/decade & 2V/decade and linear (DB-9F)
Serial Interface	RS-232 isolated interface @9600 baud (DB-9M)
Discrete I/O	Optically isolated, 5-24VDC outputs and inputs (DB-25S)
Networking Interface (optional)	Profinet® I/O option (RJ45)
Power Input	24VDC power input: 24VDC; $\pm 5\%$, maximum current: 4A
Operating temperature	+5 – +50 °C

Dimensions





PROVAC

SALES

PHONE: 831-462-8900

FAX: 831-462-3536

WWW.PROVAC.COM

Agilent VS C15 Features & Benefits

- one box, simple interface, only two cables required
- compact housing minimizes space
- no mounting modules required
- comprehensive array of interface options
- optional color touch screen display
- fast, accurate measurements
- maximized protection from contamination in industrial applications
- automatic upload/download of setup parameters
- remote access capability

