



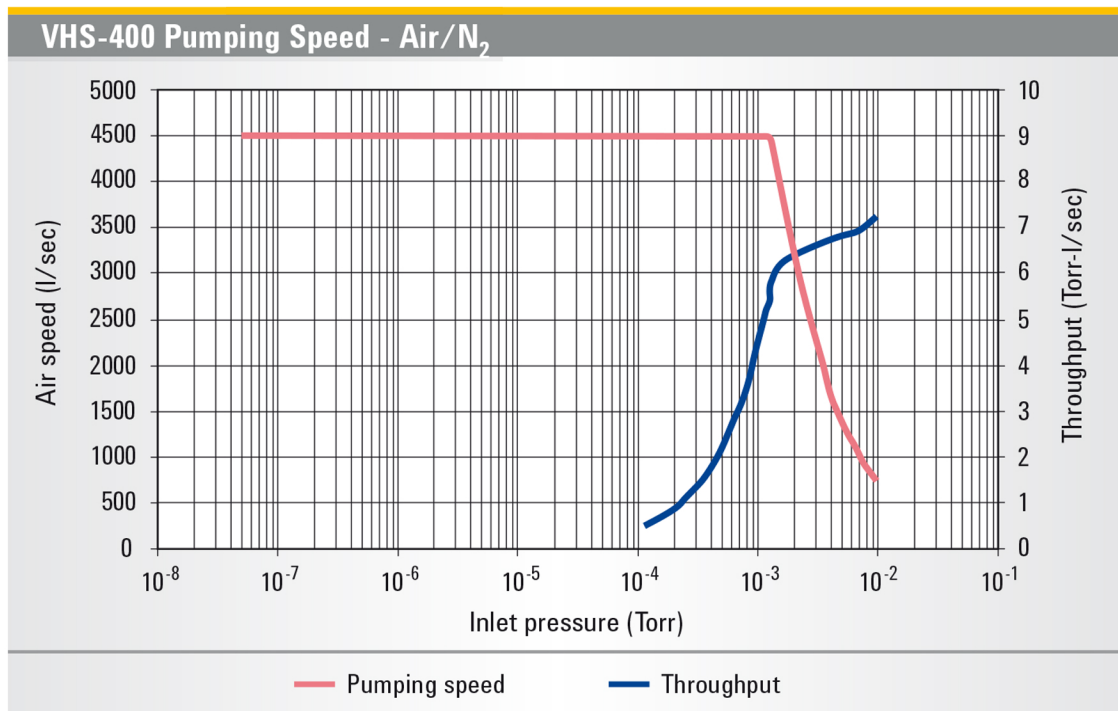
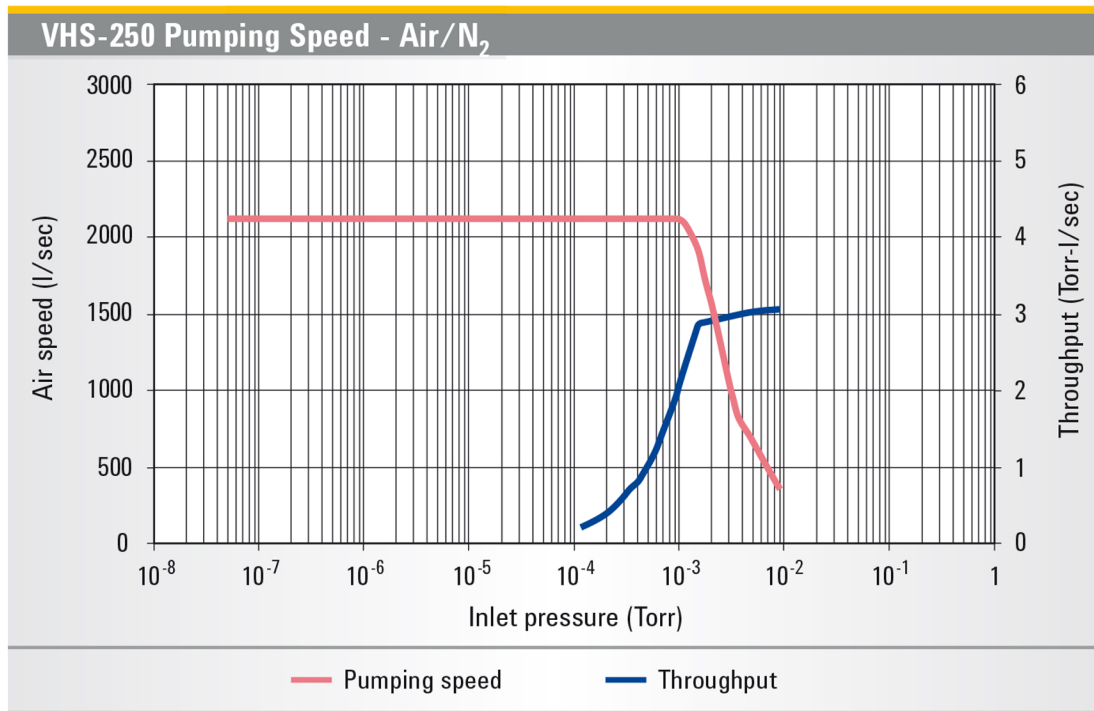
# Agilent VHS-250, VHS-400

## Technical Specifications

	VHS-250	VHS-400
Previous model number	<b>0178</b>	<b>0182</b>
Pumping speed*, l/s (operating range)		
Air	2,125	4,500
Helium & hydrogen	2,660	5,625
Pumping speed AVS 4.1 (1963)*	3,700	8,000
Maximum forepressure, Torr (mbar)		
No load	0.65 (0.85)	0.65 (0.85)
Full load	0.55 (0.72)	0.55 (0.72)
Maximum throughput, T-l/s (mbar-l/s) In operating range @ 1 x 10 <sup>-2</sup> Torr (1.3 x 10 <sup>-2</sup> mbar)	2.6 (3.5) 3.5 (4.5)	6.3 (8.4) 7.5 (10.0)
Minimum recommended backing pump for maximum throughput, cfm (m <sup>3</sup> /hr)	17.0 (28.9)	30 (51)
Backstreaming rate at inlet flange mg/cm <sup>2</sup> /min (standard cold cap)*	5 x 10 <sup>-4</sup>	1 x 10 <sup>-3</sup>
Warmup time, minutes	10	15
Cooldown time, minutes with quick cool coil, where applicable	10	25
Fluid charge	500 cc	1,000 cc
Electrical requirements	1 ph 50/60 Hz 120/208/240 V	3 ph 50/60 Hz 208/240/380/480 V
Power, watts	2,2	4,4
Cooling water, U.S. gpm (l/hr) at 60-80 °F (15-26 °C)	0.25 (50)	0.40 (80)



## Agilent VHS-250, VHS-400 Pumping Curves





# PROVAC

## SALES

PHONE: 831-462-8900

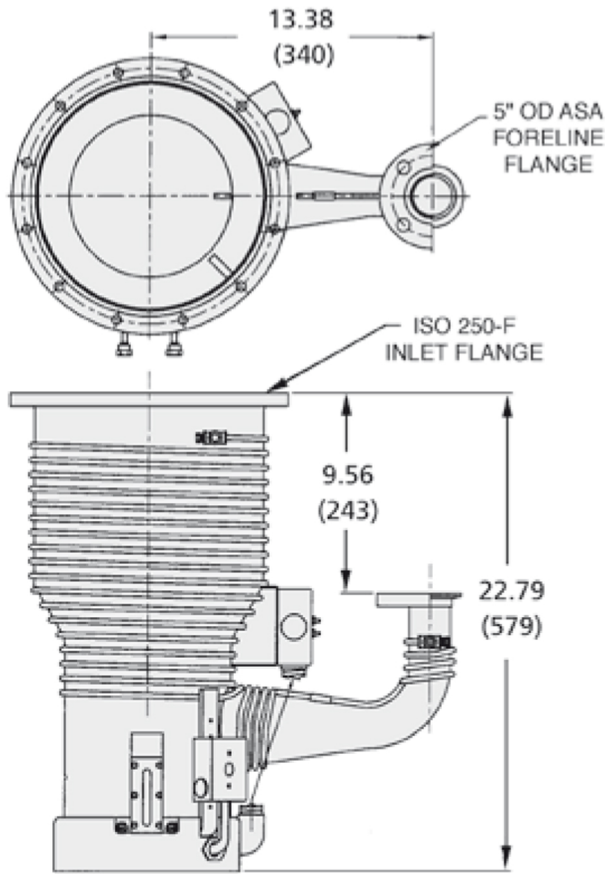
FAX: 831-462-3536

WWW.PROVAC.COM

# Agilent VHS-250, VHS-400

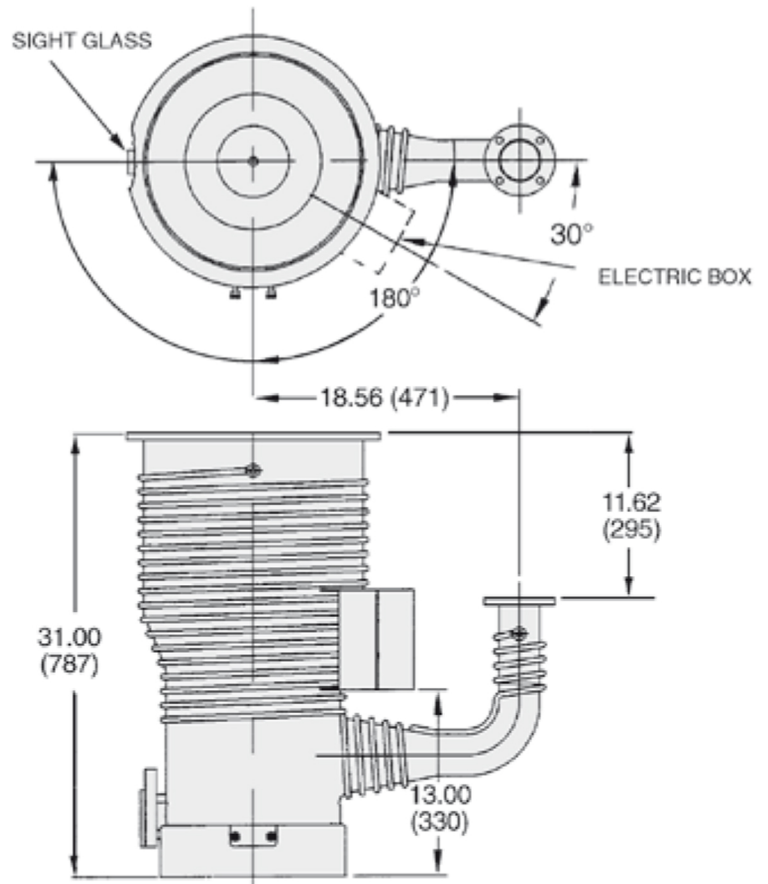
## Dimensions

### VHS-250



Dimensions: inches (millimeters)

### VHS-400



Dimensions: inches (millimeters)



# PROVAC

## SALES

PHONE: 831-462-8900

FAX: 831-462-3536

WWW.PROVAC.COM

## Agilent VHS-250, VHS-400

### Features & Benefits

- low cost of ownership
- fully optimized jet
- highest throughput
- high pumping speeds
- low ultimate pressure
- long-term reliability
- fluid-level sight glass provides quick indication of fluid status
- fractionating jet purifies pumping fluid
- stainless steel pump body and jet
- high tolerable forepressure
- excellent backstreaming
- built for production volumes
- robust boiler design
- easy to maintain

### Applications

- vacuum furnaces • metallizing • large area coating • molecular beams • thin film deposition • optical/electronic/protective coating

