



PROVAC

SALES

PHONE: 831-462-8900

FAX: 831-462-3536

WWW.PROVAC.COM

Pfeiffer UniDry 50SM Technical Specifications

UniDry™ 50 SM with accessory IG2

Ambient temperature	5-40 °C 41-104 °F 278-313 K
Cooling method, optional	Water
Cooling water pressure	2,000-10,000 hPa 1,500-7,500 Torr 2,000-10,000 mbar
Cooling water temperature	5-35 °C 41-95 °F 278-308 K
Exhaust pressure, max.	1,500 hPa 1,125 Torr 1,500 mbar
Exhaust pressure, min.	500 hPa 375 Torr 500 mbar
Frequency range	40 – 60 Hz
Inert gas flow (process dependent) max.	0 – 3000 sl/h
Inert gas unit	IG2
Intake pressure at continuous operation max.	500 hPa 375 Torr 500 mbar
Leak rate	$1 \cdot 10^{-6}$ Pa m ³ /s
Nitrogen connection for hose	6 mm 0.24 inch
Number of pumping stages	4
Operating fluid	F5
Operating fluid filling	0.32 l
Pumping speed at 50 Hz	50 m ³ /h
Pumping speed at 60 Hz	60 m ³ /h
Rotation speed at 50 Hz	3,000 rpm 3,000 min ⁻¹
Rotation speed at 60 Hz	3,600 rpm 3,600 min ⁻¹
Ultimate pressure without inert gas at 50 Hz	$5 \cdot 10^{-2}$ hPa
Ultimate pressure without inert gas at 60 Hz	$5 \cdot 10^{-2}$ hPa
Weight: with motor	210 kg 462.97 lb



PROVAC

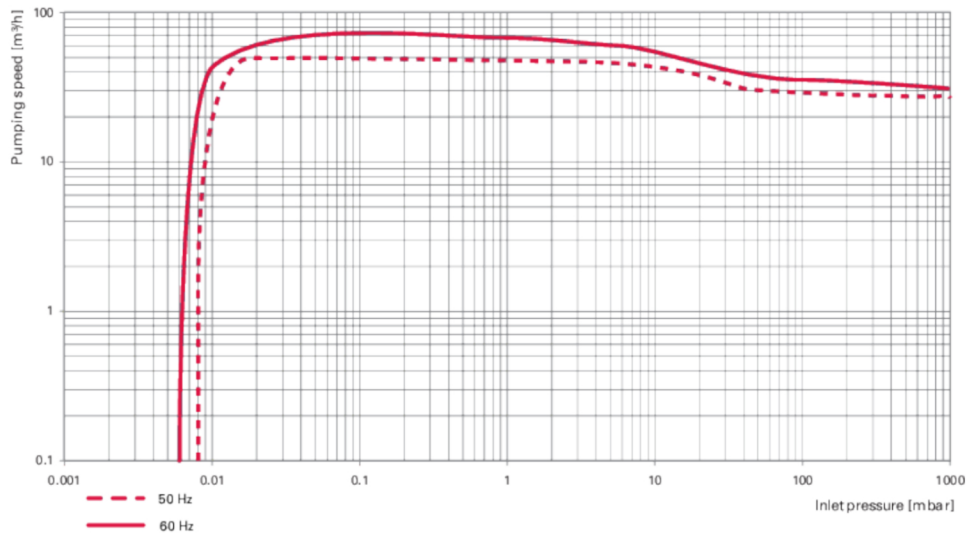
SALES

PHONE: 831-462-8900

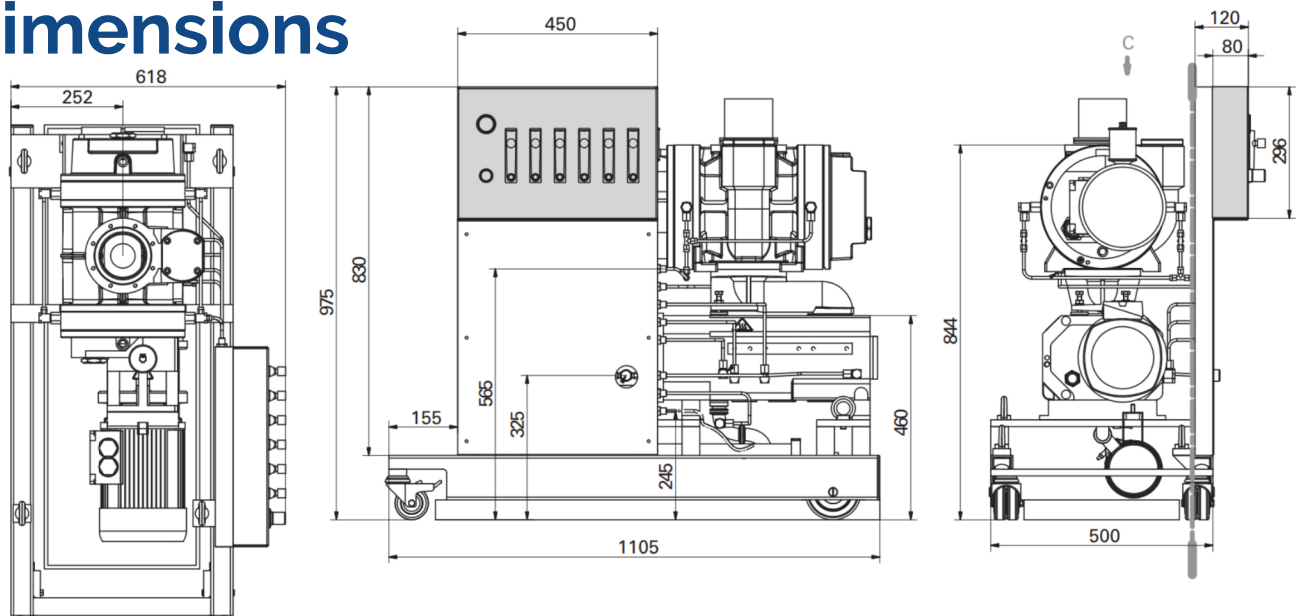
FAX: 831-462-3536

WWW.PROVAC.COM

Pfeiffer UniDry 50SM Pumping Curves



Dimensions



Features & Benefits

- exhaust silencer with condensate drain made of stainless steel
- non-return flap made of stainless steel
- two lockable casters & two fixed rollers for heavy loads