



# Pfeiffer UNO 65

## Technical Specifications

	Uno 65
Motor protection	3TF
Motor version	3-ph motor
Operating fluid	P3
Operating fluid filling	5.4 l
Protection category	IP55
Pumping speed at 50 Hz	62 m <sup>3</sup> /h
Pumping speed at 60 Hz	70 m <sup>3</sup> /h
Rated power 50 Hz	1.5 kW
Rated power 60 Hz	1.8 kW
Rotation speed at 50 Hz	1,500 rpm   1,500 min <sup>-1</sup>
Rotation speed at 60 Hz	1,800 rpm   1,800 min <sup>-1</sup>
Switch New	No
Ultimate pressure with gas ballast	≤ 1 hPa   ≤ 0.75 Torr   ≤ 1 mbar
Ultimate pressure without gas ballast	≤ 5 · 10 <sup>-2</sup> hPa   ≤ 3.75 · 10 <sup>-2</sup> Torr   ≤ 5 · 10 <sup>-2</sup> mbar
Water vapor capacity 50 Hz	1400 g/h
Water vapor capacity 60 Hz	1600 g/h
Water vapor tolerance at 50 Hz	30 hPa   22.5 Torr   30 mbar
Water vapor tolerance at 60 Hz	30 hPa   22.5 Torr   30 mbar
Weight: with motor	70 kg   154.32 lb
Ambient temperature	12-40 °C   53.6-104 °F   285-313 K
Cooling method, standard	Air
Dimensions (L x W x H)	725 x 240 x 340 mm   28.54 x 9.45 x 13.39 inch
Emission sound pressure level without gas ballast at 50 Hz	≤ 61 dB(A)
Exhaust pressure, max.	1,500 hPa   1,125 Torr   1,500 mbar
Exhaust pressure, min.	Atmospheric pressure
Flange (in)	DN 40 ISO-KF
Flange (out)	DN 40 ISO-KF
Leak rate safety valve	≤ 1 · 10 <sup>-5</sup> Pa m <sup>3</sup> /s
Mains cable	No
Mains requirement: voltage (range)	±5 %
Mains requirement: voltage 50 Hz	230/400 V
Mains requirement: voltage 60 Hz	265/460 V



# PROVAC

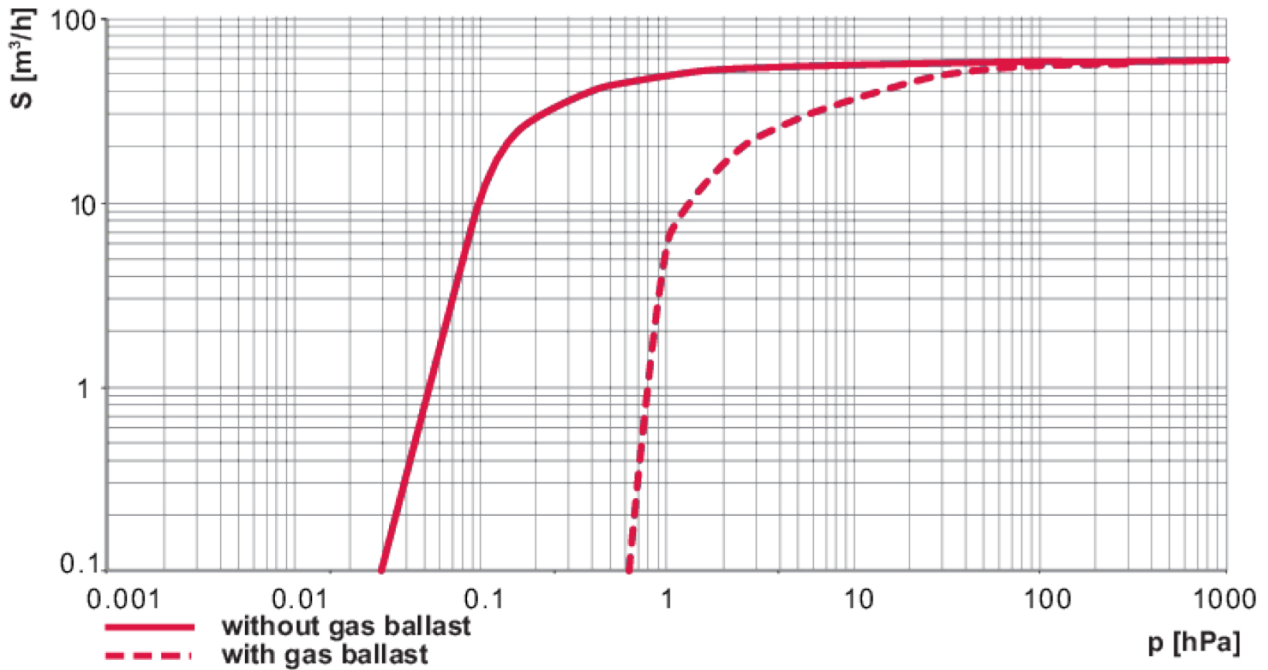
## SALES

PHONE: 831-462-8900

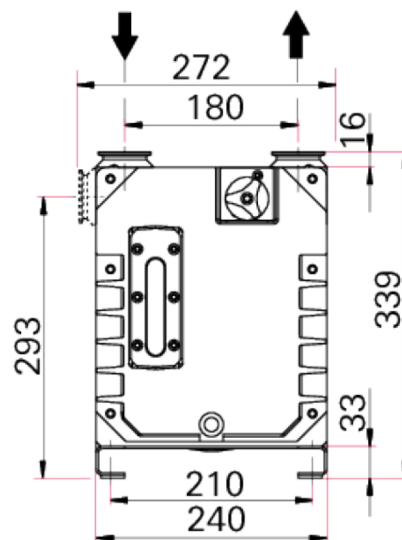
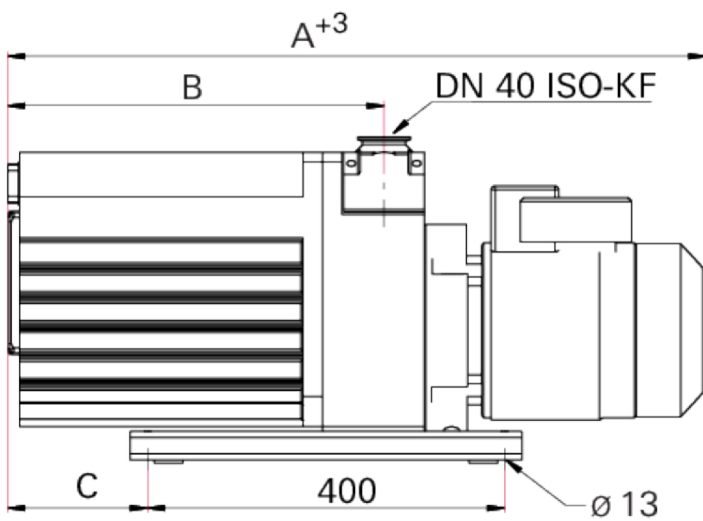
FAX: 831-462-3536

WWW.PROVAC.COM

## Pfeiffer UNO 65 Pumping Curves



## Dimensions



A	725 mm
B	392 mm
C	146 mm



# PROVAC

## SALES

PHONE: 831-462-8900

FAX: 831-462-3536

WWW.PROVAC.COM

## Pfeiffer UNO 65 Features & Benefits

- very low ultimate pressure compared to other single-stage pumps
- rugged design for industrial applications & long service intervals
- flexible use due to extensive available accessories
- adjustable inlet & outlet ports for easier integration & installation

## Applications

- research & development • analytics • mass spectrometry • backing pump for turbo pumps • insulating vacuum

