



Pfeiffer UNO 35

Technical Specifications

	Uno 35
Ambient temperature	12-40 °C 53.6-104 °F 285-313 K
Cooling method, standard	Air
Emission sound pressure level without gas ballast at 50 Hz	61 dB(A)
Exhaust pressure, max.	1,500 hPa 1,125 Torr 1,500 mbar
Exhaust pressure, min.	250 hPa 187.5 Torr 250 mbar
Flange (in)	DN 40 ISO-KF
Flange (out)	DN 40 ISO-KF
Leak rate safety valve	$1 \cdot 10^{-5}$ Pa m ³ /s
Mains cable	No
Mains requirement: voltage (range)	±5 %
Mains requirement: voltage 50 Hz	230/400 V
Mains requirement: voltage 60 Hz	265/460 V
Motor version	3-ph motor
Operating fluid	P3
Operating fluid filling	4.5 l
Protection category	IP55
Pumping speed at 50 Hz	32 m ³ /h
Pumping speed at 60 Hz	36 m ³ /h
Rated power 50 Hz	1.1 kW
Rated power 60 Hz	1.3 kW
Rotation speed at 50 Hz	1,500 rpm 1,500 min ⁻¹
Rotation speed at 60 Hz	1,800 rpm 1,800 min ⁻¹
Switch New	No
Ultimate pressure with gas ballast	1 hPa 0.75 Torr 1 mbar
Ultimate pressure without gas ballast	$5 \cdot 10^{-2}$ hPa $3.75 \cdot 10^{-2}$ Torr $5 \cdot 10^{-2}$ mbar
Weight	60 kg 132.28 lb



PROVAC

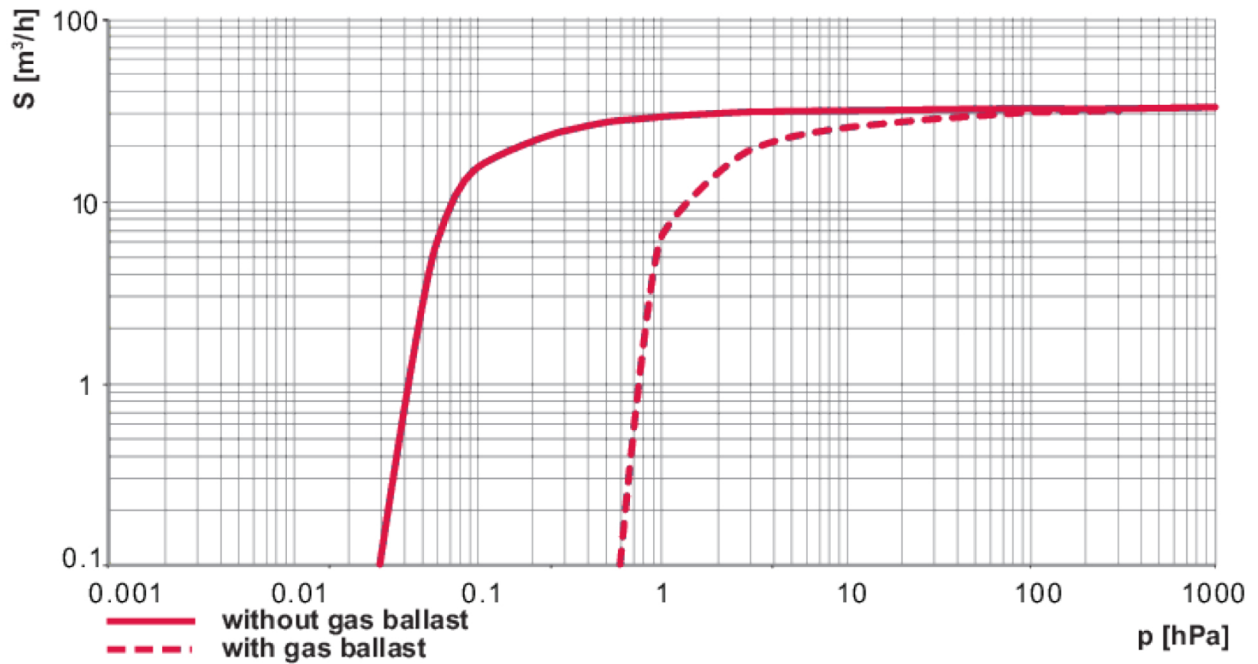
SALES

PHONE: 831-462-8900

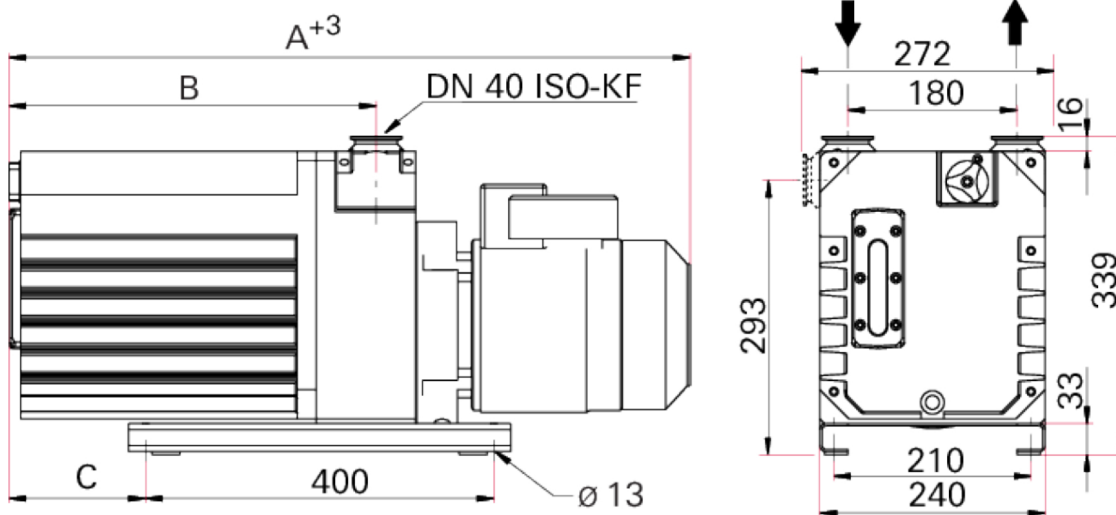
FAX: 831-462-3536

WWW.PROVAC.COM

Pfeiffer UNO 35 Pumping Curves



Dimensions



A	645 mm
B	312 mm
C	66 mm



PROVAC

SALES

PHONE: 831-462-8900

FAX: 831-462-3536

WWW.PROVAC.COM

Pfeiffer UNO 35 Features & Benefits

- very low ultimate pressure compared to other single-stage pumps
- rugged design for demanding industrial applications
- long service intervals
- flexible use due to extensive accessories
- adjustable inlet & outlet ports for better integration

Applications

- research & development • analytics • mass spectrometry • backing pump for turbo pumps • insulating vacuum

