



Pfeiffer UNO 30M

Technical Specifications

	Uno 30 M, 1-phase motor, 200–230 V, 50 Hz 200–240 V, 60 Hz
Ambient temperature	15-40 °C 59-104 °F 288-313 K
Cable length	2 m
Cooling method, standard	Air
Emission sound pressure level without gas ballast at 50 Hz	62 dB(A)
Exhaust pressure, max.	1,500 hPa 1,125 Torr 1,500 mbar
Exhaust pressure, min.	250 hPa 187.5 Torr 250 mbar
Flange (in)	DN 25 ISO-KF
Flange (out)	DN 25 ISO-KF
Leak rate magnetic coupling	$1 \cdot 10^{-5}$ Pa m ³ /s
Leak rate safety valve	$1 \cdot 10^{-5}$ Pa m ³ /s
Mains cable	Yes, EU power cable, length 2 m
Mains requirement: voltage (range)	±5 %
Mains requirement: voltage (selectable)	100-110, 50 Hz ; 100-120, 60 Hz V
Mains requirement: voltage 50 Hz	200 – 230 V
Mains requirement: voltage 60 Hz	200 – 240 V
Motor version	1-ph motor
Operating fluid	P3
Operating fluid filling	1.1 l
Protection category	IP54
Pumping speed at 50 Hz	30 m ³ /h
Pumping speed at 60 Hz	35 m ³ /h
Rated power 50 Hz	0.75 kW
Rated power 60 Hz	0.9 kW
Rotation speed at 50 Hz	1,500 rpm 1,500 min ⁻¹
Rotation speed at 60 Hz	1,800 rpm 1,800 min ⁻¹
Switch New	Yes
Ultimate pressure with gas ballast	$3 \cdot 10^{-1}$ hPa $2.25 \cdot 10^{-1}$ Torr $3 \cdot 10^{-1}$ mbar
Ultimate pressure without gas ballast	$5 \cdot 10^{-2}$ hPa $3.75 \cdot 10^{-2}$ Torr $5 \cdot 10^{-2}$ mbar
Weight	43 kg 94.8 lb



PROVAC

SALES

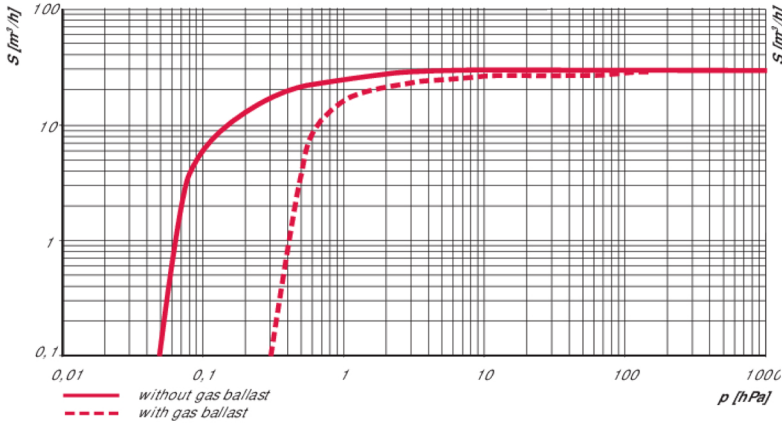
PHONE: 831-462-8900

FAX: 831-462-3536

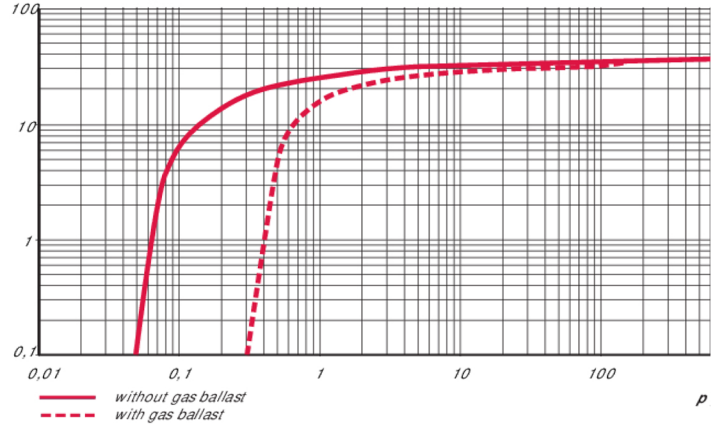
WWW.PROVAC.COM

Pfeiffer UNO 30M Pumping Curves

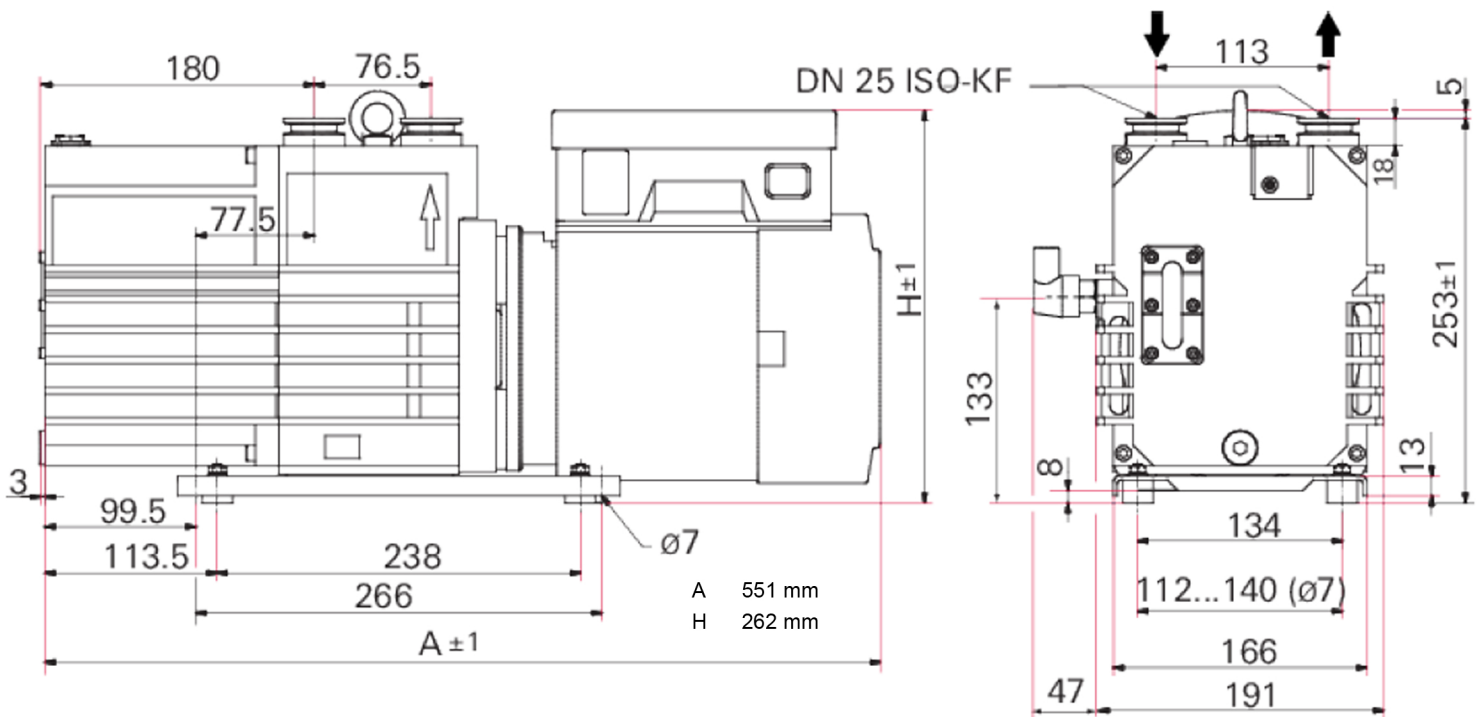
50Hz



60Hz



Dimensions





PROVAC

SALES

PHONE: 831-462-8900

FAX: 831-462-3536

WWW.PROVAC.COM

Pfeiffer UNO 30M Features & Benefits

- very low ultimate pressure compared to other single stage vane pumps
- low operating costs
- no maintenance of shaft seal rings
- integrated gas ballast & safety valve
- magnetically coupled
- for all low & medium vacuum applications
- various motor voltages for worldwide employment

