



# Ulvac ULK-o6A

## Technical Specifications

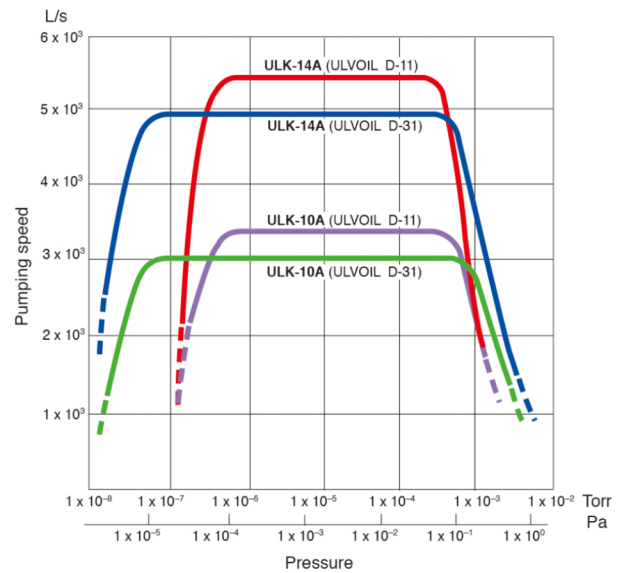
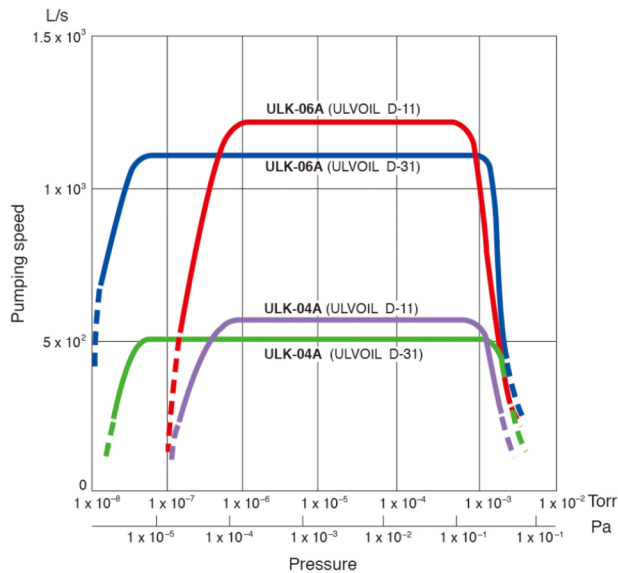
		ULK-06A	
Pumping speed	L/s	1200	1100
Working fluid	ULVOIL	D-11	D-31
Ultimate pressure	Pa	$<2.6 \times 10^{-5}$	$<2.6 \times 10^{-6}$
	Torr	$<2.0 \times 10^{-7}$	$<2.0 \times 10^{-8}$
	mbar	$<2.6 \times 10^{-7}$	$<2.6 \times 10^{-8}$
Critical backing (foreline) pressure	Pa	$4.0 \times 10^1$	$6.0 \times 10^1$
	Torr	$3.0 \times 10^{-1}$	$4.5 \times 10^{-1}$
	mbar	$4.0 \times 10^{-1}$	$6.0 \times 10^{-1}$
Maximum throughput	Pa·m <sup>3</sup> /s	$1.5 \times 10^{-1}$	$2.0 \times 10^{-1}$
	Torr·L/s	$2.0 \times 10^{-2}$	$2.7 \times 10^{-2}$
	mbar·L/s	$1.5 \times 10^{-2}$	$2.0 \times 10^{-2}$
Warm up time	min	16.5	15
Power required *1	kW	0.9	1.2
Fluid capacity	L	0.35	0.35
Cooling water consumption *2	L/min	1	1.5
Recommended fore pump		VD301/VD401/VD601	

\*1 Please specify power line voltage when ordering.

\*2 Cooling water temperature: inlet 19 °C, outlet 29 °C



## Pumping Curves

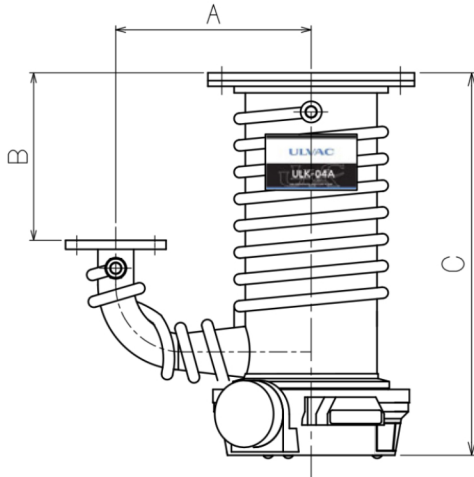




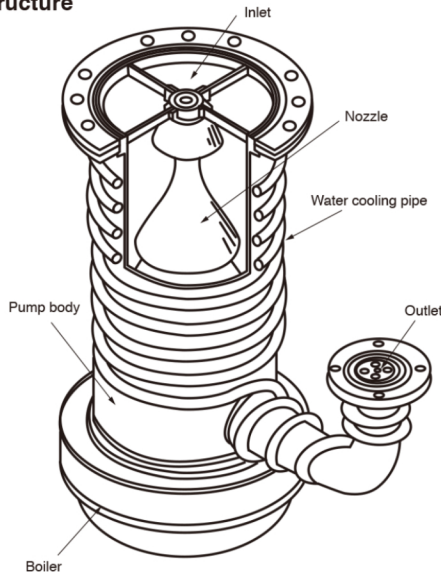
# Ulvac ULK-o6A

## Dimensions

**External Dimension Diagram** (unit: mm)



### Structure



Model		ULK-04A	ULK-06A	ULK-10A	ULK-14A	
Item	Dimensions					
	A	mm	175	250	340	340
	B	mm	150	180	240	240
	C	mm	341	449	650	670
Inlet diameter	Flange		Corresponds to VG100	Corresponds to VG150	Corresponds to VG250	Corresponds to VG350
	Outside diameter	mm	185	235	350	450
	Bolt holes	No. - dia.	8-dia. 12	8-dia. 12	12-dia. 15	12-dia. 15
	P.C.D	mm	160	210	320	420
	Gasket groove diameter (Inside diameter x Width x Depth)		120 x 4 x 3	175 x 4 x 3	275 x 7.5 x 4.2	380 x 7.5 x 4.2
	*Gasket groove diameter (Inside diameter x Width x Depth)		120 x 4 x 4	175 x 4 x 4	275 x 8 x 8	380 x 8 x 8
Outside diameter	Flange		Corresponds to VG25	Corresponds to VG40	Corresponds to VG80	Corresponds to VG80
	Outside diameter	mm	90	105	160	160
	Bolt holes	No. - dia.	4-dia. 10	4-dia. 10	4-dia. 12	4-dia. 12
	P.C.D	mm	70	85	135	135
	Gasket groove diameter (Inside diameter x Width x Depth)		40 x 5 x 3	55 x 5 x 3	100 x 5 x 2.8	100 x 5 x 2.8
	*Gasket groove diameter (Inside diameter x Width x Depth)		V-40	V-55	V-100	V-100
	Cooling water connection		RC 1/4 (PT 1/4)	RC 1/4 (PT 1/4)	RC 3/8 (PT 3/8)	RC 3/8 (PT 3/8)
Materials	Pump body	Stainless steel				
	Nozzle	Aluminum				
	Cooling method	Water cooling pipe				
	Oil level gauge	None	None	Optional	Attached	
	Weight	kg	7.5	13.5	47	56
	Shipping measurement (Height x Width x Length)		550 x 330 x 400	580 x 420 x 580	730 x 550 x 700	750 x 550 x 700
	Shipping weight	kg	10.5	17.5	54	64

\* A NBR gasket is attached for inlet port as a standard accessory. Please use a fluorinated rubber gasket when pressure is needed below  $10^{-5}$  Pa.



# PROVAC

## SALES

PHONE: 831-462-8900

FAX: 831-462-3536

WWW.PROVAC.COM

## Ulvac ULK-06A Features & Benefits

- extremely low operating cost
- easy to clean due to simple disassembly of the pump
- high critical backing pressure
- check mechanism prevents the working fluid from flowing to the forepump side

