



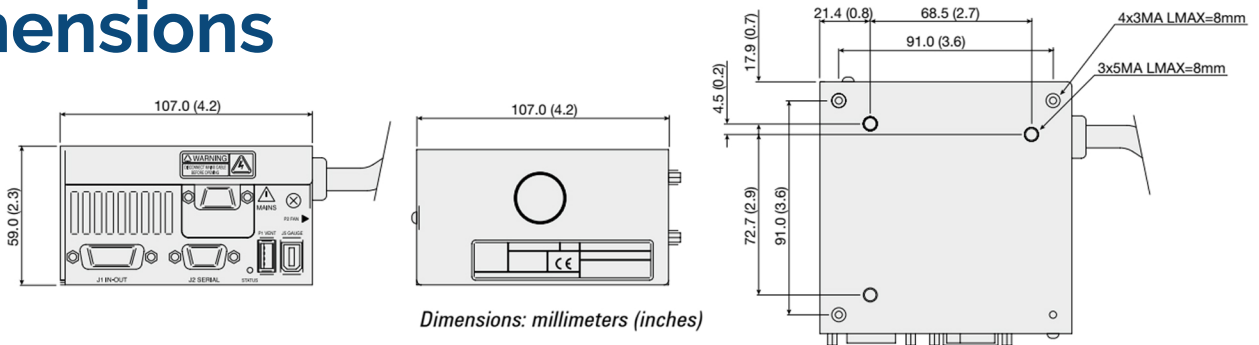
# Agilent TwisTorr 84FS OB

## Technical Specifications

<b>Input voltages:</b>	
Navigator controller, 24 Vdc	24 Vdc $\pm$ 10%
Navigator controller, 100/240 Vac	100 $\div$ 240 Vac $\pm$ 10%
<b>Input power:</b>	
Navigator controller, 24 Vdc	80 W
Navigator controller, 100/240 Vac	180 VA
<b>Input frequency:</b>	
Navigator controller, 100/240 Vac	50 to 60 Hz $\pm$ 5%
<b>Fuse</b>	
	2 x T4 A 250 V
<b>Output voltage</b>	
	60 Vac
<b>Output frequency</b>	
	1350 Hz
<b>Output power:</b>	
Navigator controller, 24 Vdc	50 W
Navigator controller, 100/240 Vac	70 W (ramp), 50 W (Normal and Autotuning)
<b>Operating temperature</b>	
	+5 $\div$ +45 °C 0 – 90% (Not condensing)
<b>Storage temperature</b>	
	-20 °C to +70 °C 0 – 95%



## Dimensions



## Features & Benefits

- pump speed reading after stop command (stop speed reading)
- front/remote/serial operation
- 24Vdc pump fan cooling drive
- input voltage auto setting
- vent valve drive
- pressure reading