



# Leybold Trivac D-4T, 8T, 16T, 30T

## Technical Specifications

TRIVAC T		D4T	D8T	D16T	D30T
Nominal Pumping Speed (50 Hz) <sup>1)</sup>	m <sup>3</sup> h <sup>-1</sup>	5.3	9.2	17	31.4
Pumping Speed (50 Hz) <sup>1)</sup>	m <sup>3</sup> h <sup>-1</sup>	4.3	8.2	16.2	30.2
Ultimate total pressure without gas ballast <sup>1)</sup>	mbar	5 · 10 <sup>-3</sup>	5 · 10 <sup>-3</sup>	5 · 10 <sup>-3</sup>	5 · 10 <sup>-3</sup>
Ultimate total pressure with gas ballast (pos. 1) <sup>1)</sup>	mbar	8 · 10 <sup>-3</sup>	8 · 10 <sup>-3</sup>	8 · 10 <sup>-3</sup>	8 · 10 <sup>-3</sup>
Ultimate total pressure with gas ballast (pos. 2) <sup>1)</sup>	mbar	2 · 10 <sup>-2</sup>	2 · 10 <sup>-2</sup>	2 · 10 <sup>-2</sup>	2 · 10 <sup>-2</sup>
Water vapour tolerance <sup>1)</sup>	mbar	15	15	20	20
Water vapour capacity	g/h	55	95	230	400
Oil filling, min./max.	l	0.6 / 0.9	0.7 / 1	1.0 / 1.6	1.1 / 1.8
Noise level to DIN 45 635 without / with gas ballast	dB(A)	52 / 54	54 / 56	58 / 60	58 / 60
Ambient temperature	°C	12-45	12-45	12-45	12-45
Weight without oil (for 3 phase motor)	kg	23	24	34	37
Connections, intake and exhaust side	DN (mm)	16 KF	16 KF	25 KF	25 KF

<sup>1)</sup> To DIN 28400 and subsequent numbers





# PROVAC

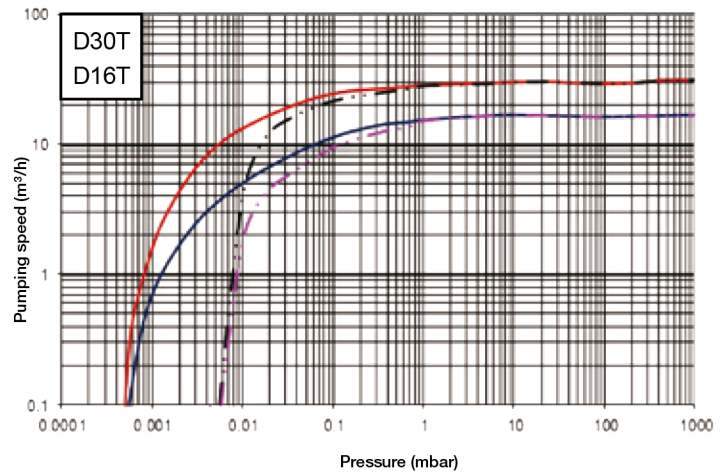
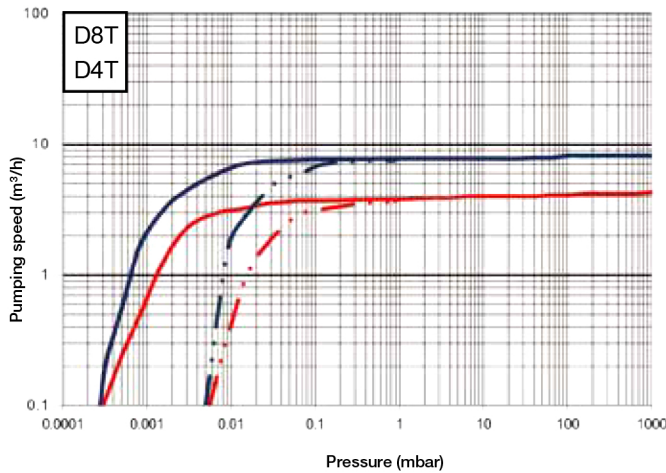
## SALES

PHONE: 831-462-8900

FAX: 831-462-3536

WWW.PROVAC.COM

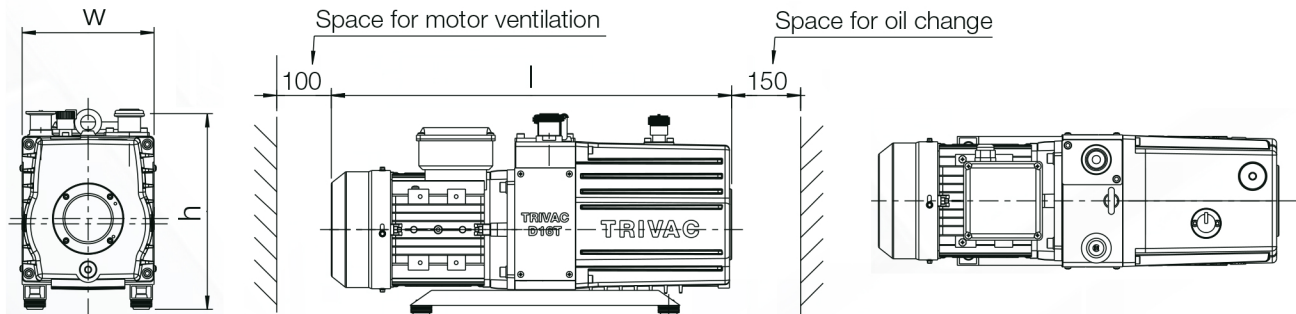
# Leybold Trivac D-4T, 8T, 16T, 30T Pumping Curves



Pumping speed characteristics for the TRIVAC T pumps (50 Hz operation, SI units)

- Ultimate total pressure without gas ballast
- Ultimate total pressure without gas ballast
- - - Ultimate partial pressure with gas ballast
- - - Ultimate partial pressure with gas ballast

## Dimensions



Pump model, motor type	P/N	Motor type	Length (l)	Width (w)	Height (h)	Weight (kg)
TRIVAC D 4T, three phase	31231TE	3ph Lafert	480	157	240	23
TRIVAC D 4T, single phase	31236TE	1ph Hannig	480	156	247	23
TRIVAC D 8T, three phase	31241TE	3ph Lafert	500	157	240	24
TRIVAC D 8T, single phase	31246TE	1ph Hannig	500	156	247	24
TRIVAC D 16T, three phase	31251TE	3ph Lafert	535	185	265	34
TRIVAC D 16T, single phase	31256TE	1ph LS	565	195	275	37
TRIVAC D 30T, three phase	31261TE	3ph Lafert	580	185	265	37
TRIVAC D 30T, single phase	31266TE	1ph LS	610	195	275	40

All dimensions in mm



# PROVAC

## S A L E S

PHONE: 831-462-8900

FAX: 831-462-3536

WWW.PROVAC.COM

---

## Leybold Trivac D-4T, 8T, 16T, 30T Features & Benefits

- distinguished by their compact & sturdy construction
- low oil back streaming
- excellent performance data
- increased service life
- high reliability
- reduced spare part requirements
- high system compatibility & adaptability
- low maintenance & low wear due to optimized temperature management

## Applications

- cooling & air conditioning • freeze-drying systems • mechanical engineering • lamps & tubes manufacturing • vacuum coating
- automotive industry • research & development