



PROVAC

SALES

PHONE: 831-462-8900

FAX: 831-462-3536

WWW.PROVAC.COM

Leybold TW 220/150, TW 400/300/25

Technical Specifications

TURBOVAC		TW 220/150 S	TW 400/300/25 S
High-vacuum connections		depends on customized housing variants	
Max. pumping speed for N ₂			
HV port	l·s ⁻¹	320	400
Interstage port I	l·s ⁻¹	250 – 300	300
Interstage port II	l·s ⁻¹	—	25
Operating pressure			
HV port	mbar	10 ⁻⁵ - 10 ⁻⁷	
Interstage port I	mbar	10 ⁻² - 10 ⁻⁴	
Interstage port II	mbar	—	10 ⁻¹
Max. permissible forevacuum pressure	mbar	8	
Recommended frequency converter		TURBO.DRIVE 400	
Operating speed	r.p.m.	45,000	48,000
Run-up time, approx.	min	8	10
Forevacuum connection	DN	16 KF	
Weight, approx.	kg	12	
Type of protection	IP	20	
Only for TW 400/300/25 S-PP			
Purge/vent connection		—	M5 (similar UNF 10-32)
Enclosed fitting for tube with outer diameter x wall thickness	mm	4.3 x 1	
Max. purge gas flow	mbar·l·s ⁻¹	—	0.4
Ambient temperature during operation		+ 15 - + 40 °C	
storage		- 15 - + 70 °C	
Max. rel. air humidity		approx. 95% ¹⁾ (non-condensing)	



PROVAC

SALES

PHONE: 831-462-8900

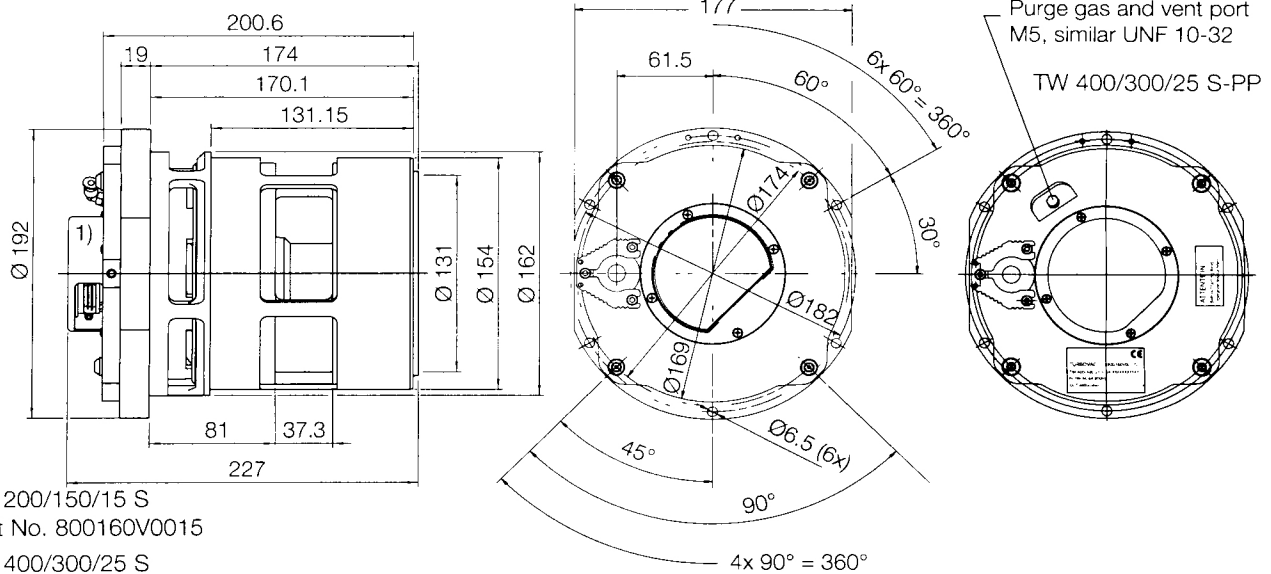
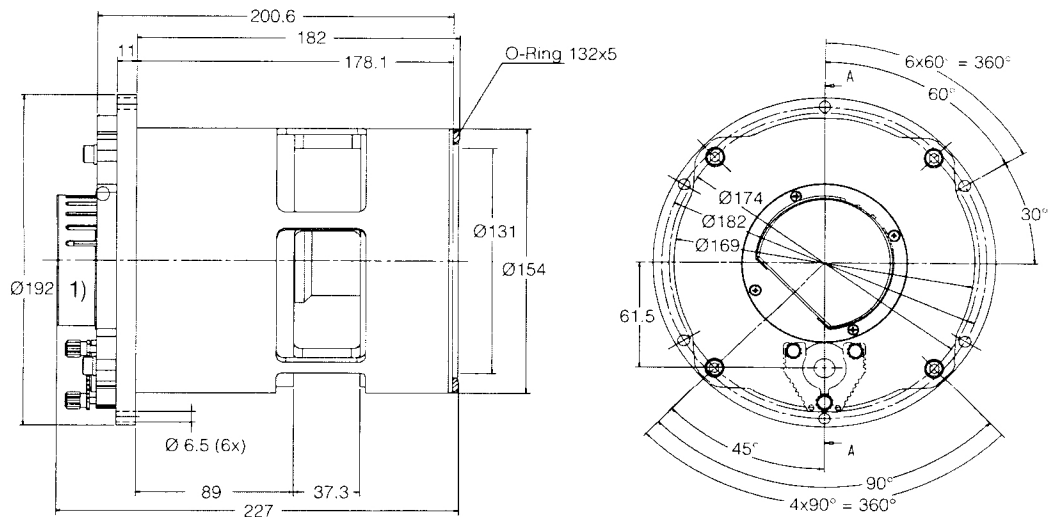
FAX: 831-462-3536

WWW.PROVAC.COM

Leybold TW 220/150, TW 400/300/25

Dimensions

TW 220/150 S
Part No.
800160V0007



TW 200/150/15 S
Part No. 800160V0015

TW 400/300/25 S
Part No. 800160V0019C

TW 400/300/25 S-PP
Part No. 800160V0017V

1) Position of electrical connection depends on type and part no.

Fig. 1.1 Dimensional drawings, dimensions in mm



PROVAC

SALES

PHONE: 831-462-8900

FAX: 831-462-3536

WWW.PROVAC.COM

Leybold TW 220/150, TW 400/300/25

Dimensions cont.

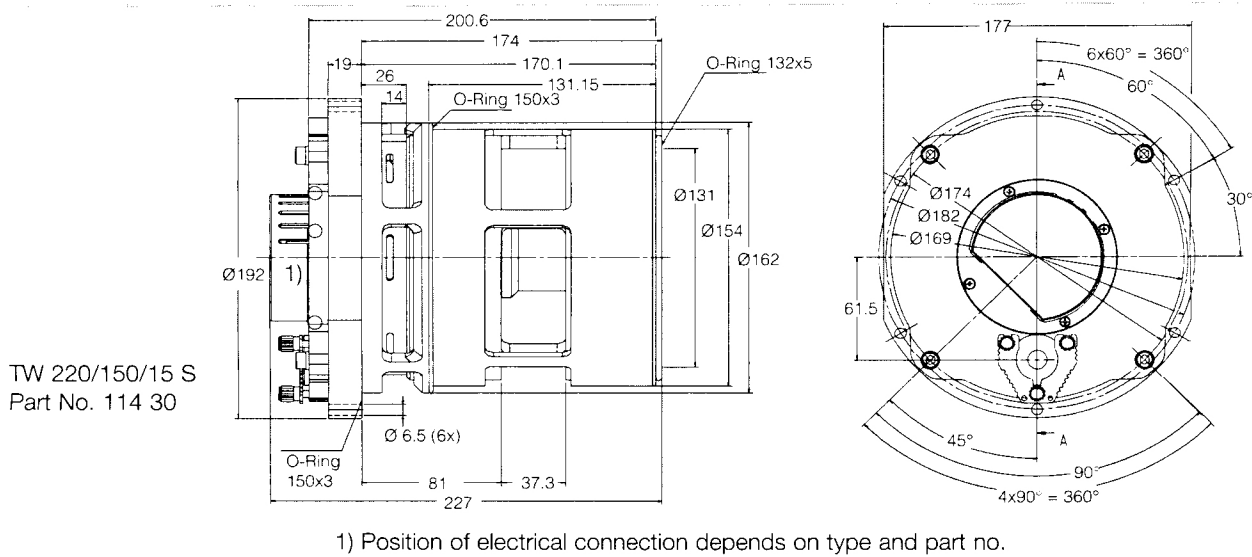


Fig. 1.2 Dimensional drawings , dimensions in mm