

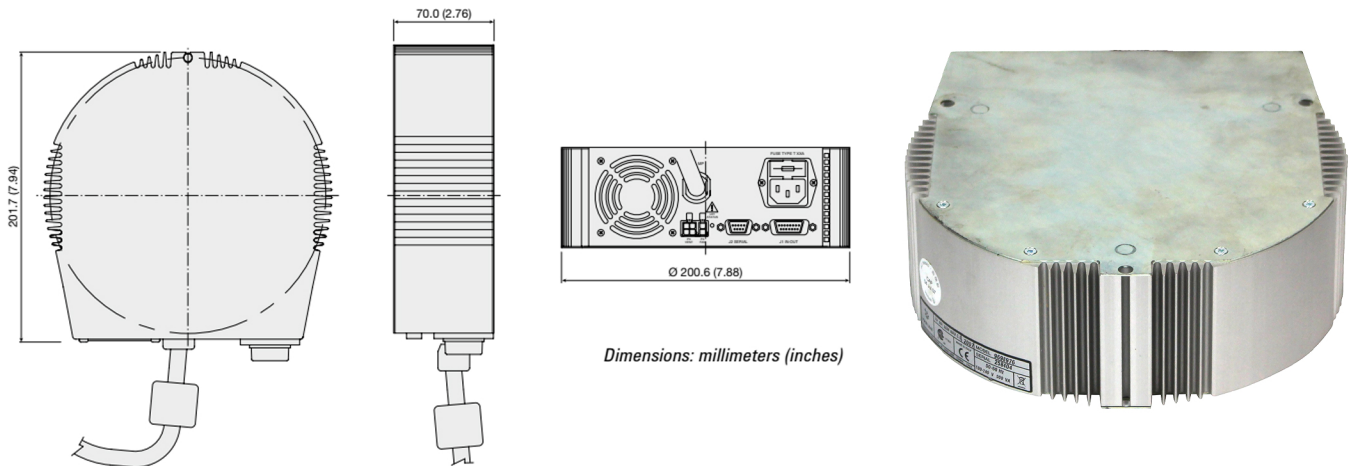


Agilent TV-551OB, TV-701OB, TV-1001OB

Technical Specifications

	Turbo-V 551, 701	Turbo-V 1001	Description	Weight kg (lbs)
Input voltages	100/120/220/240 VAC 50/60 Hz, 1 ph	100/120/220/240 VAC 50/60 Hz, 1 ph	Turbo-V551 Navigator controller 120/220 V - 50/60 Hz	3.0 (6.0)
Maximum input power	640 VA	850 VA	Turbo-V701 Navigator controller 120/220 V - 50/60 Hz	3.0 (6.0)
Output voltage	54 VAC, 3 ph	54 VAC, 3 ph	Turbo-V1001 Navigator controller 120/220 V - 50/60 Hz	5.4 (12.0)
Output frequency	714 Hz	640 Hz		
Operating temperature	0 °C to +40 °C	0 °C to +40 °C		
Storage temperature	-20 °C to +70 °C	-20 °C to +70 °C		

Dimensions



Features & Benefits

- microprocessor-controlled frequency converter
- universal voltage
- fully controllable through PC software
- self-diagnostic & protection features
- can be mounted on bottom or side of pump