



Varian TV-301

Technical Specifications

	Turbo-V 70	Turbo-V 301
Input voltages:		
Navigator controller, 24 Vdc	24 Vdc \pm 10%	24 Vdc \pm 10%
Navigator controller, 120/220 Vac	100/120/220/ 240 Volt, 1 phase, 50/60 Hz	100/120/220/ 240 Volt, 1 phase, 50/60 Hz
Maximum input power:		
Navigator controller, 24 Vdc	100 W	200 W
Navigator controller, 120/220 Vac	200 VA	300 VA
Output voltage	54 Vac, 3 phase	75 Vac, 3 phase
Output frequency	1250 Hz	933 Hz
Nominal power	75 W	150 W
Start-up power	100W	150 W
Operating temperature	0°C to +40°C	0°C to +40°C
Storage temperature	-20°C to +70°C	-20°C to +70°C

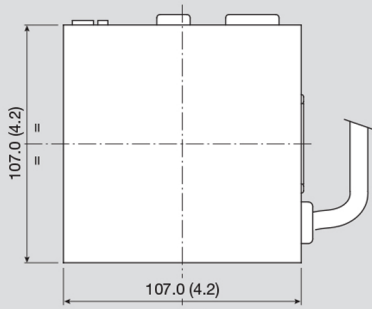
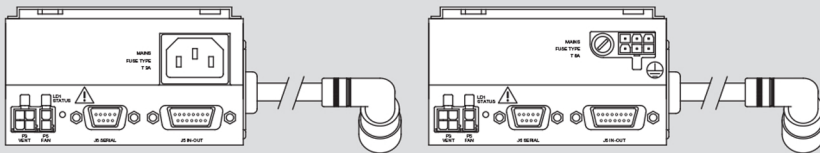


Dimensions

Outline Drawings

120/220 V controller front panel

24 V controller front panel



Dimensions: millimeters (inches)