



# Varian TV-200A

## Technical Specifications

	V200A
Connection nominal diameter Inlet Outlet	ISO100 NW25KF
Pumping speed l/s  N2 He H2	  220 210 180
Compression ration for N2 He H2	 2x10e+8 4x10e+3 4x10e+2
Max Forevacuum pressure mbar N2	N.A.
Gas Throughput mbar.l/s N2 He H2	No limit No limit No limit
Recommended baking pump Diaphragm Rotary Dry	SD200
Ultimate pressure mbar With rotary With dry	1x10e-9
Rotational speed	51000
Run up time min.	1
Cooling	Forced Air Optional Water
Coolant water	flow: 20 l/h (0.09 GPM) temperature: + 10° C to + 30° C pressure: 2 to 4 bar
Power consumption W	170
Vibration level (displacement)	<0.02 µm at inlet flange
Noise level	< 52 dB (A) at 1 meter
Motor technology	Asynchronus
input	54 Vac, three phases, 850 Hz
Weight Kg	10.7





# PROVAC

## SALES

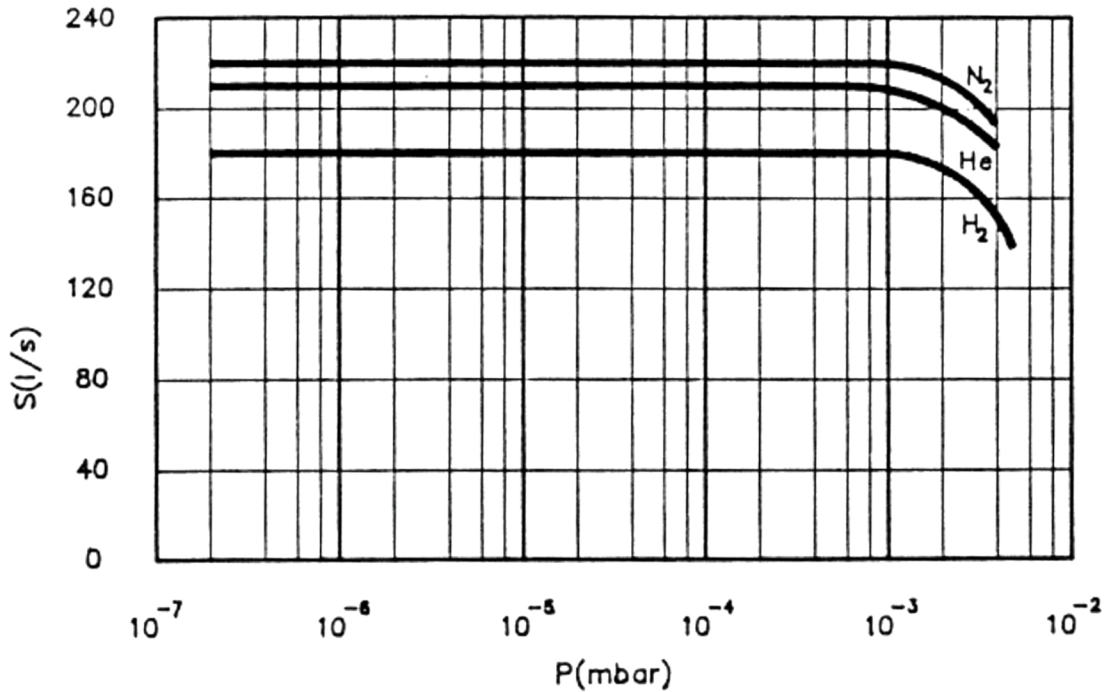
PHONE: 831-462-8900

FAX: 831-462-3536

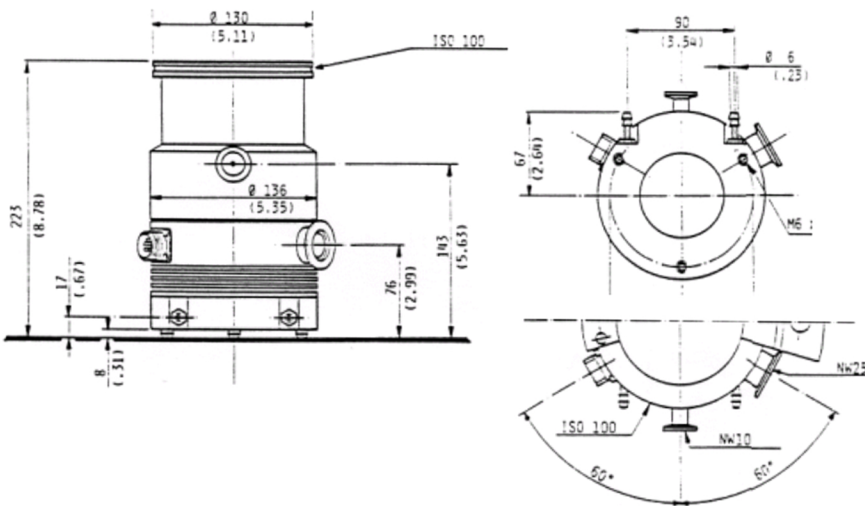
WWW.PROVAC.COM

## Varian TV-200A

### Pumping Curves



### Dimensions



V200A ISO100	
Total height	223.00
Vent port height from bottom	143.00
Foreline port height fm. bottom	76.00
Vent thread/port	KF10
Purge thread	N.A.
Water fitting thread	2 riffled nozzles
Inlet flange	ISO100
Foreline Flange	KF25
Vent port position referring to Foreline Flange	60°
Purge port position referring to Foreline Flange	N.A.