



Varian TV-2000HT

Technical Specifications

Pumping speed	N ₂ : 1,950 l/s	He: 2,000 l/s	H ₂ : 1,500 l/s
Compression ratio	N ₂ : >1 x 10 ⁹	He: 2 x 10 ⁶	H ₂ : 2 x 10 ⁵
Base pressure* (minimum with recommended mechanical forepump)	1 x 10 ⁻¹⁰ mbar (7.5 x 10 ⁻¹¹ Torr)		
Inlet flange	CF 12"	ISO 250-F bolted	
Foreline flange	KF 40		
Rotational speed	33,000 rpm		
Startup time	10 minutes		
Recommended forepump	Mechanical: Varian DS 602 Dry scroll: Varian TS600		
Operating position	Any		
Cooling requirements	Water		
Bakeout temperature	120 °C max. at inlet flange (CF flange) 80 °C max. at inlet flange (ISO flange)		
Vibration level (displacement)	<0.01 µm at inlet flange		
Weight kg (lbs)	ISO 250: 44 (96.8) CF 12": 55 (121.0)		

* According to standard DIN 28 428, the base pressure is measured in a leak-free test dome, 48 hours after completion of test dome bake-out, with a Turbopump fitted with a ConFlat flange and using the recommended backing pump.





PROVAC

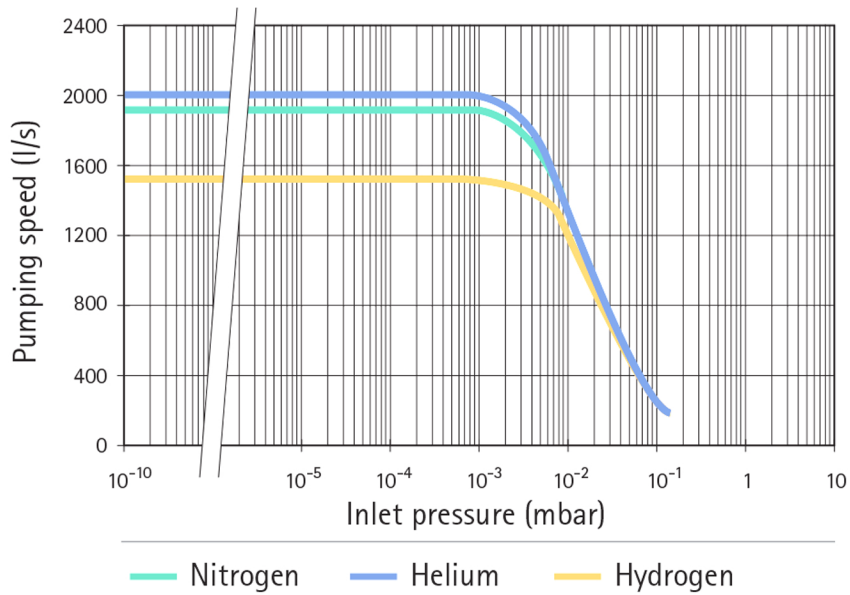
SALES

PHONE: 831-462-8900

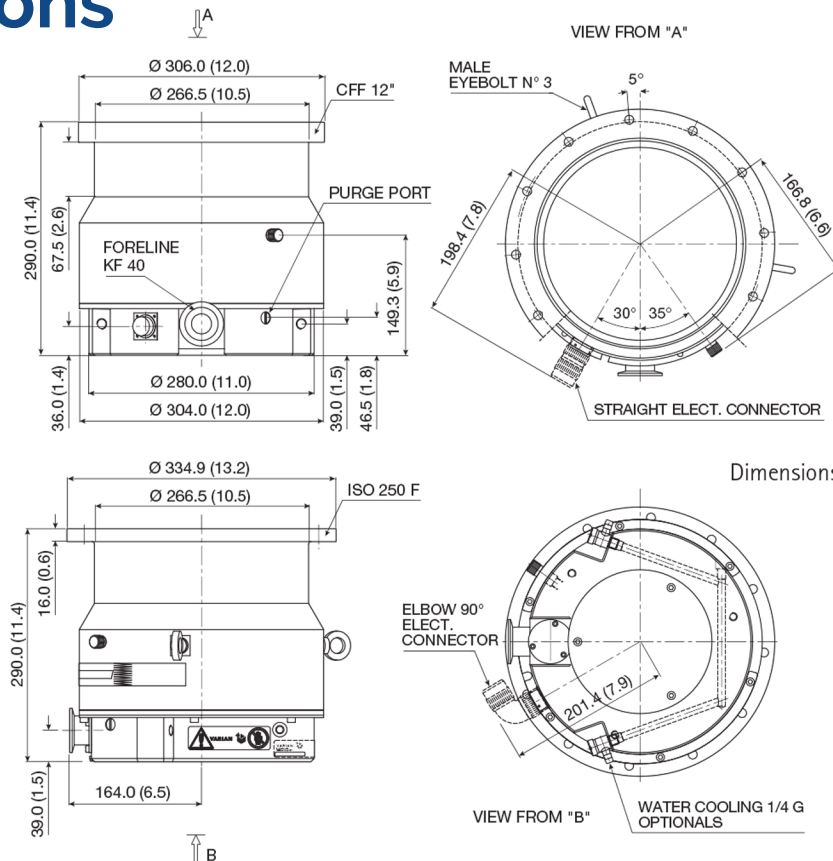
FAX: 831-462-3536

WWW.PROVAC.COM

Varian TV-2000HT Pumping Curves



Dimensions



Dimensions: millimeters (inches)