



Varian TV-141

Technical Specifications

Pumping speed (with inlet screen)	N ₂ : He: H ₂ :	ISO 100: 125 l/s 120 l/s 100 l/s	ISO 63: 105 l/s 107 l/s 100 l/s
Compression ratio	N ₂ : 3 x 10 ⁸ He: 8 x 10 ⁵ H ₂ : 8 x 10 ⁴		
Base pressure <i>(According to standard DIN 28 428, the base pressure is that measured in a leak-free test dome, 48 hours after the completion of test dome bake-out, with a Turbopump fitted with a ConFlat flange and using the recommended pre-vacuum pump)</i>	with minimum recommended mechanical pump: < 2 x 10 ⁻¹⁰ mbar (< 2 x 10 ⁻¹⁰ Torr) with minimum recommended diaphragm pump: 2 x 10 ⁻⁸ mbar (2 x 10 ⁻⁸ torr)		
Inlet flange	ISO 100, ISO 63, CFF 6", CFF 4.5"		
Foreline flange	KF 16 NW		
Rotational speed	62000 rpm		
Start-up time	< 90 seconds		
Recommended forepump	Mechanical: Varian SD 40 Diaphragm: MD12		
Operating position	Any		
Operating ambient temperature (see the following note)	See the following diagram		
Bakeout temperature	120° C at inlet flange max.		
Vibration level (displacement)	< 0.01 μm at inlet flange		
Lubricant	permanent lubrication		
Input power supply: Voltage:	90 to 132 Vac (for models 969-9392 to 969-9395) 180 to 264 Vac (for models 969-9388 to 969-9391)		
Frequency:	47 to 63 Hz		
Max input power:	180 W at 230 Vac		
Stand-by power:	15 W at 230 Vac		
Max operating power:	90 W at 230 Vac		
Protection fuse	1 x 3.15 A		





PROVAC

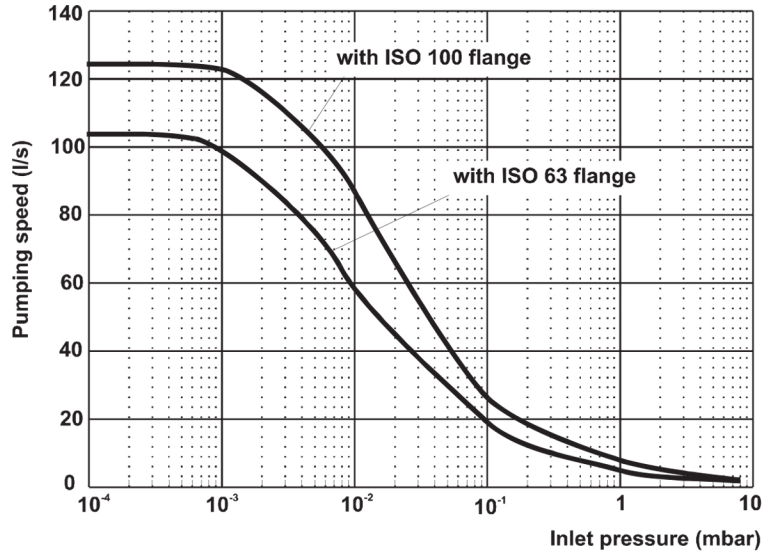
SALES

PHONE: 831-462-8900

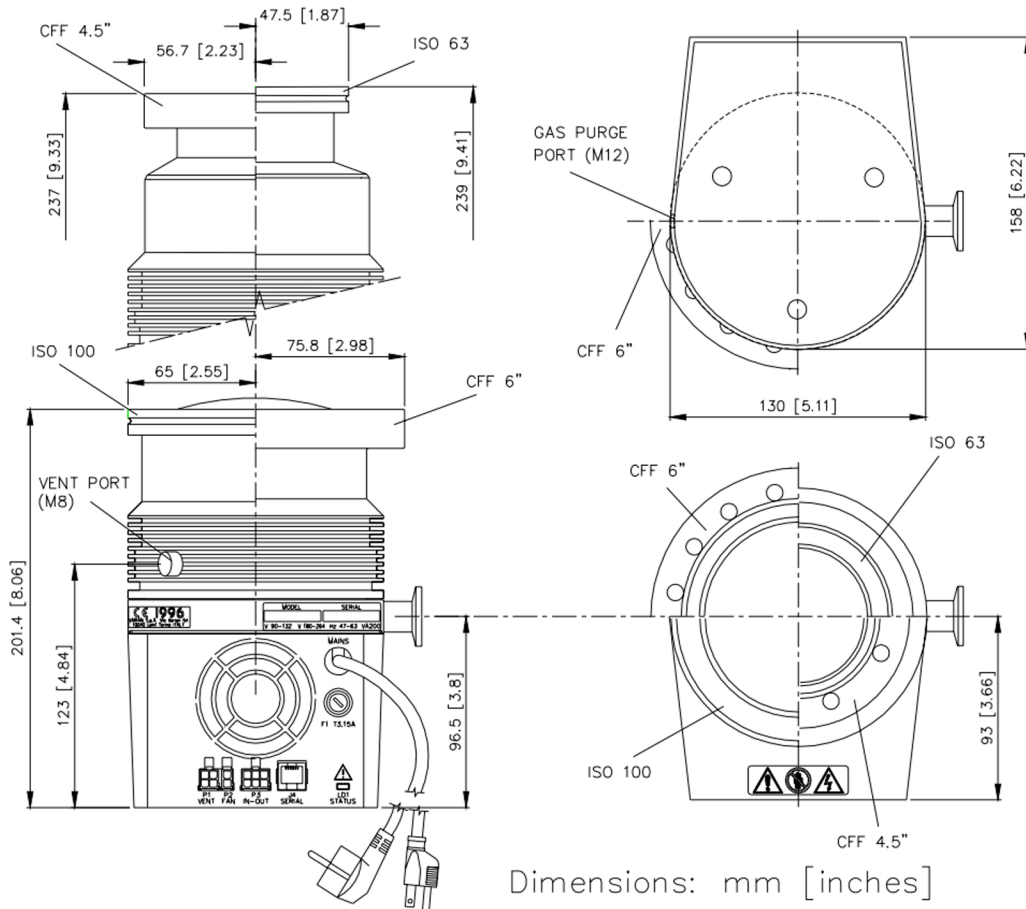
FAX: 831-462-3536

WWW.PROVAC.COM

Varian TV-141 Pumping Curves



Dimensions



Dimensions: mm [inches]