



Agilent TSP

Technical Specifications

Input	100, 120, 220, 240 Vac \pm 10% 1-phase
Voltage (selectable at the rear of the case)	<ul style="list-style-type: none">• 90 to 110 Vac - 1 phase (use setting 100 Vac)• 110 to 130 Vac - 1 phase (use setting 120 Vac)• 190 to 230 Vac - 1 phase (use setting 220 Vac)• 230 to 265 Vac - 1 phase (use setting 240 Vac)
Frequency	47 to 63 Hz
Power	1400 VA (maximum, see note)
Fuse	2 x T15A (slow blow) 250V 5x20 fuses (only for model 929-0032) 2 x T8A (slow blow) 250V 5x20 fuses (only for model 929-0033)
Temperature	0 to + 45 °C
Humidity	90 % maximum non condensing humidity
Storage temperature	-20 °C to +70 °C

In compliance with norms	EN 61010-1 (2001) EN 61326-1 (2006) - Class A (industrial application)
Protection category	IP 20
Internal use only	
Installation category	II
Pollution degree	2 3 meters long
Power cable	<ul style="list-style-type: none">• 3 wires \varnothing AWG14, NEMA plug (only for model 929-0032)• 3 wires \varnothing 0.75 mm² European plug (only for model 929-0033)
Weight	12 kg (26.5 lbs)

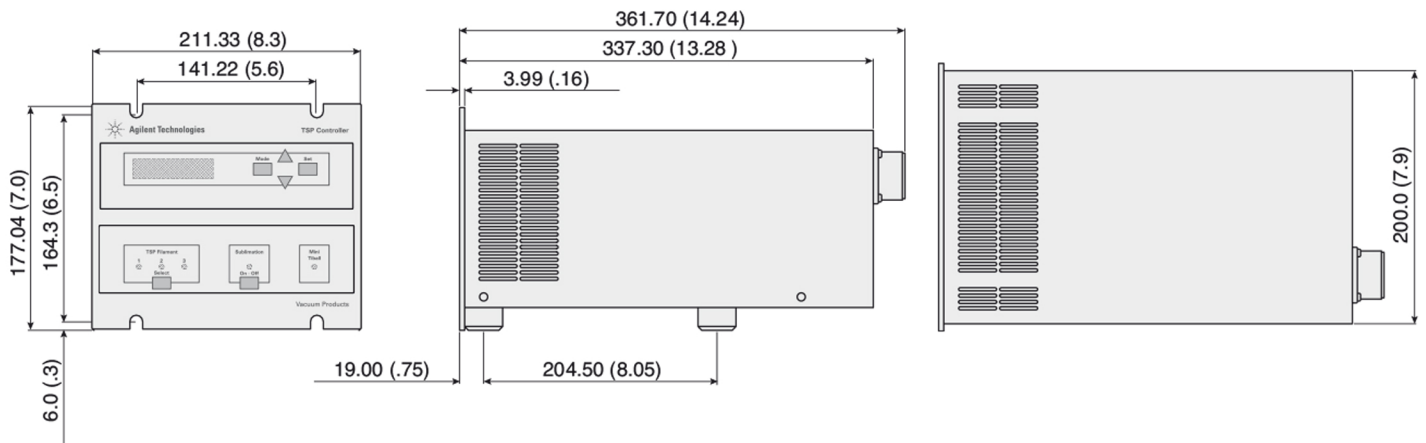
NOTE • When the controller is powered by means of a transformer, the transformer power must be at least 3000 VA to avoid a distortion of the power waveform.





Agilent TSP

Dimensions



Dimensions: millimeters (inches)

Features & Benefits

- pump cable lengths up to 50m
- compact design - 1/2 standard rack
- selectable for automatic or manual operation
- remote control standard

Applications

- electron microscopy • research & development • mass spectrometry
- nanotechnologies • industrial vacuum processes