



# Agilent TPS Flexy (with TwisTorr 74FS & IDP-3) Technical Specifications

		KF 40	ISO 63	CFF 4.5 in.
Pumping Speed (l/s) (with inlet screen)	N <sub>2</sub>	37 l/s	48 l/s	48 l/s
	He	29 l/s	44 l/s	44 l/s
	H <sub>2</sub>	23 l/s	32 l/s	32 l/s
Base pressure*		1 x 10 <sup>-8</sup> mbar	1 x 10 <sup>-8</sup> mbar	1 x 10 <sup>-9</sup> mbar
Bakeout temperature		80 °C at inlet	80 °C at inlet	120 °C at inlet
Pumpdown time (15 liter volume)	46 sec. (100 mbar); 104 sec. (1 mbar); 160 sec. (1 x 10 <sup>-4</sup> mbar); 210 sec. (5 x 10 <sup>-5</sup> mbar); 400 sec. (1.3 x 10 <sup>-5</sup> mbar)			
Turbo pump rotational speed	70000 RPM			
Start-up time	144 sec.			
Operating ambient temperature	5 °C to 35 °C / 32 °F to 122 °F			
Input Voltage and Frequency	115 Vac 60 Hz or 220-240 Vac 50/60 Hz			
Communications	RS232 - Analogical I/O			

\* According to standard DIN 28 428





# PROVAC

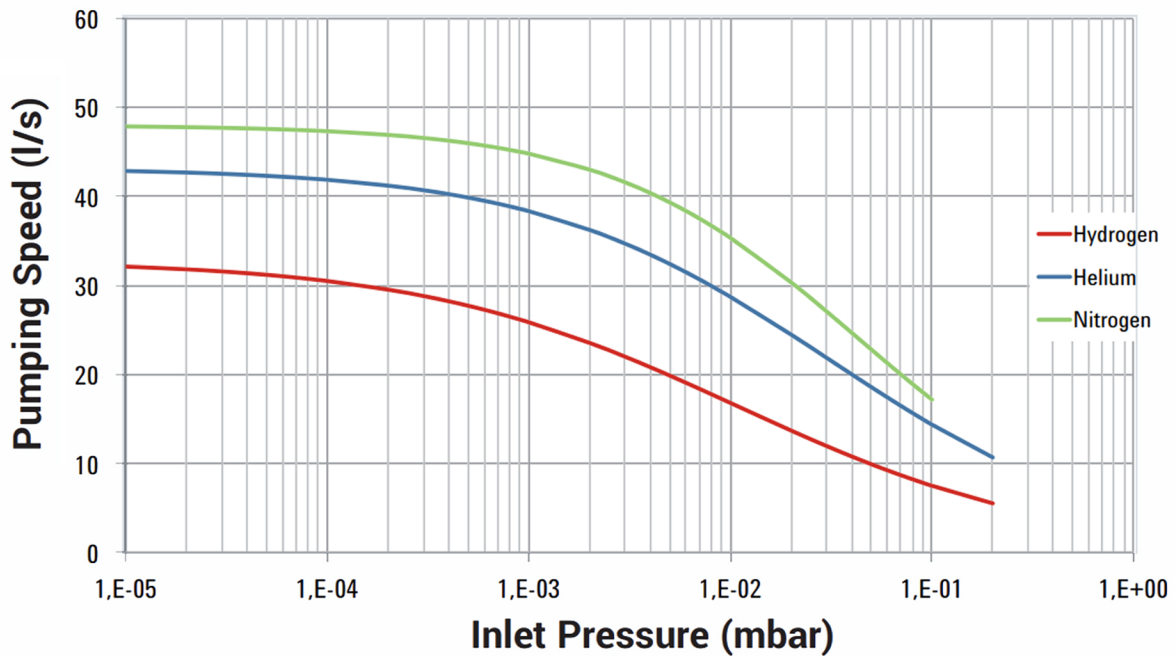
## SALES

PHONE: 831-462-8900

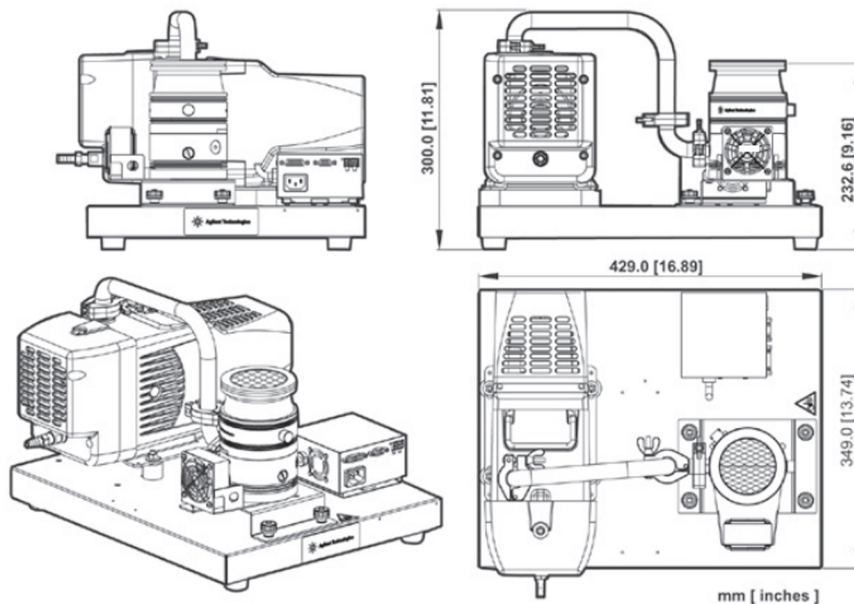
FAX: 831-462-3536

WWW.PROVAC.COM

## Agilent TPS Flexy (with TwisTorr 74FS & IDP-3) Pumping Curves



## Dimensions





# PROVAC

## SALES

PHONE: 831-462-8900

FAX: 831-462-3536

WWW.PROVAC.COM

---

## Agilent TPS Flexy (with TwisTorr 74FS & IDP-3)

### Features & Benefits

- flexible, dry, DIY solution
- oil-free solution
- easy plug and pump
- gauge reading capability
- optimized combination of turbo & backing pump
- modular design simplifies customization
- long service life and high reliability

### Recommended pumps

- TwisTorr 74FS • TwisTorr 304FS • IDP-3 • IDP-7 • MD-1
- onboard OR rack controller

### Applications

- UHV system pump-down • laboratories • academic experiments
- industrial applications