



Leybold TMP-600

Technical Specifications

	160 ISO-K/CF160	6-in. ANSI
Pumping Speed (Volume flow rate)		
for N ₂l/sec	560	620
for He.....l/sec	600	620
for H ₂l/sec	570	590
Compression Ratio		
for N ₂	>10 ⁹	>10 ⁹
for He.....	2 x 10 ⁴	2 x 10 ⁴
for H ₂	1.1 x 10 ³	1.1 x 10 ³
Ultimate Pressurembar	<10 ⁻¹⁰	<10 ⁻¹⁰
Rotational SpeedRPM	36,000	36,000
Start-Up Time with		
NT1000/1500.....min	<3	<3
NT20.....min	<4	<4
Cooling.....	water/air	water/air
Cooling Water Temperature.....°C	15 to 25	15 to 25
Cooling Water Connection, Hose Nozzle ...in (mm)	7/16 (11)	7/16 (11)
Fore Vacuum Port.....KF	40	40
Bake-Out Temperature (flange).....°C	100	100
Mounting Position, TMP600.....	In Any Desired Position	
Weight.....lb (kg)	37 (17)	37 (17)
Recommended Backing Pump.....Model (CFM)	D25B (18.1)	D25B (18.1)
w/Inert Gas Purge.....Model (CFM)	D40B (28.3)	D40B (28.3)
Lubrication.....	Life-Long Supply of Lubricating Grease	
Frequency Converter	NT1000/1500 or NT20	



PROVAC

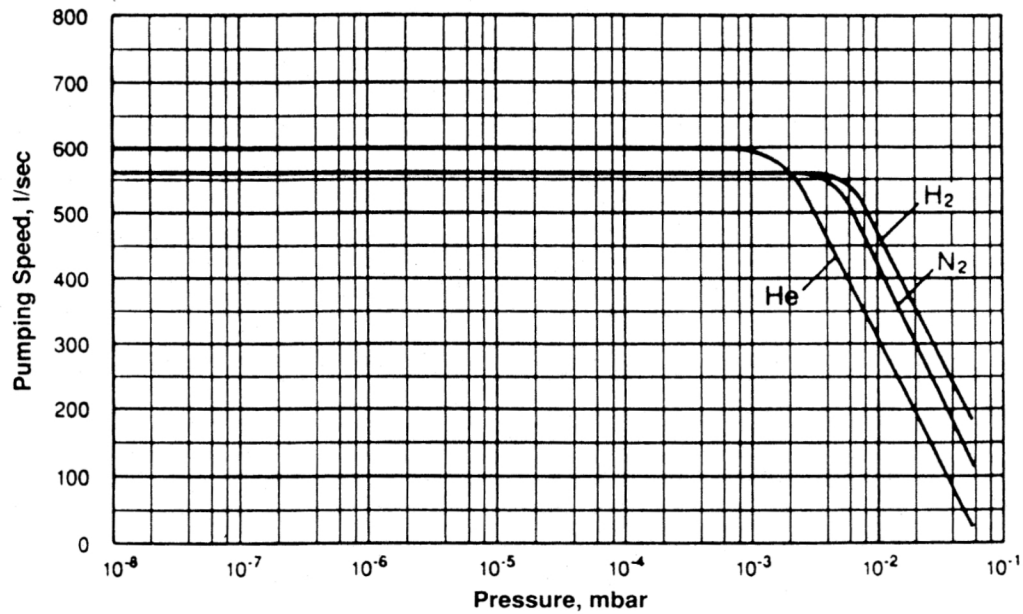
SALES

PHONE: 831-462-8900

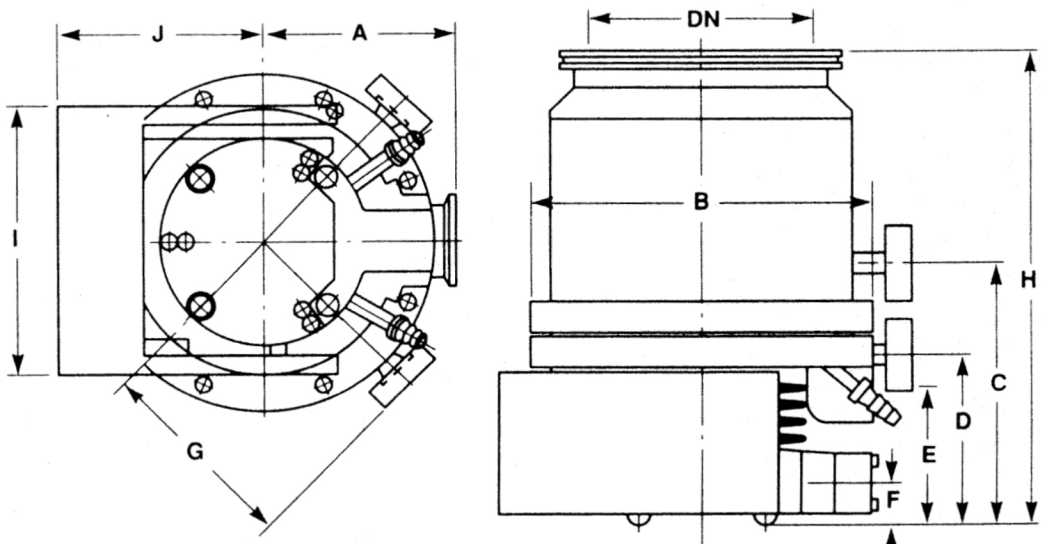
FAX: 831-462-3536

WWW.PROVAC.COM

Leybold TMP-600 Pumping Curves



Dimensions



Dimensions, inches (mm)

	A	B	C	D	E	F	G	H	I	J
ISO-K	47/8 (124.5)	87/8 (225)	67/8 (175)	4 1/2 (116)	3 13/16 (97)	1 1/8 (28)	5 5/16 (135)	12 1/2 (317)	7 (178)	5 1/4 (134)
CF	47/8 (124.5)	87/8 (225)	67/8 (175)	4 1/2 (116)	3 13/16 (97)	1 1/8 (28)	5 5/16 (135)	12 23/32 (323)	7 (178)	5 1/4 (134)
ANSI	47/8 (124.5)	87/8 (225)	67/8 (175)	4 1/2 (116)	3 13/16 (97)	1 1/8 (28)	5 5/16 (135)	11 3/4 (299)	7 (178)	5 1/4 (134)