



Leybold TMP-361, TMP-361C

Technical Specifications

TURBOVAC 361 (C)

Connection			100 ISO-K • 100 CF	160 ISO-K • 160 CF
Inlet	DN		25 ISO-KF	25 ISO-KF
Outlet	DN			
Pumping speed				
N ₂	l x s ⁻¹		345	400
Ar	l x s ⁻¹		350	410
He	l x s ⁻¹		340	380
H ₂	l x s ⁻¹		340	370
Gas throughput				
N ₂	mbar · l x s ⁻¹		3.0	3.0
Ar	mbar · l x s ⁻¹		2.5	2.5
He	mbar · l x s ⁻¹		3.0	3.0
H ₂	mbar · l x s ⁻¹		2.0	2.0
Compression ratio				
N ₂			1 x 10 ⁹	1 x 10 ⁹
Ar			1 x 10 ⁹	1 x 10 ⁹
He			6 x 10 ⁴	6 x 10 ⁴
H ₂			3 x 10 ³	3 x 10 ³
Ultimate pressure	mbar (Torr)		< 1 x 10 ⁻¹⁰ (< 7.5 x 10 ⁻¹¹)	< 1 x 10 ⁻¹⁰ (< 7.5 x 10 ⁻¹¹)
Max. foreline pressure for N ₂	mbar (Torr)		5 x 10 ⁻¹ (4 x 10 ⁻¹)	5 x 10 ⁻¹ (3.8 x 10 ⁻¹)
Recommended forevacuum pump			from TRIVAC D 16 B to D 25 B	from TRIVAC D 16 B to D 25 B
Nominal rotation speed	min ⁻¹ (rpm)		45 000	45 000
Run-up time, approx.	min		2	2
Max. power consumption	W		300	300
Power consumption at ultimate pressure	W		70	70
Admissible ambient temperature	°C (°F)		10 to 55 (50 to 131)	10 to 55 (50 to 131)
Cooling				
standard			Water	Water
optional			Air	Air
Cooling water connection			10 mm hose nozzle	10 mm hose nozzle
Cooling water consumption	l x h ⁻¹		15 to 35	15 to 35
Permissible cooling water pressure	bar		3 to 7	3 to 7
Permissible cooling water temperature	°C (°F)		10 to 25 (50 to 77)	10 to 25 (50 to 77)
Weight	kg (lbs)		12 (26)	12 (26)



PROVAC

SALES

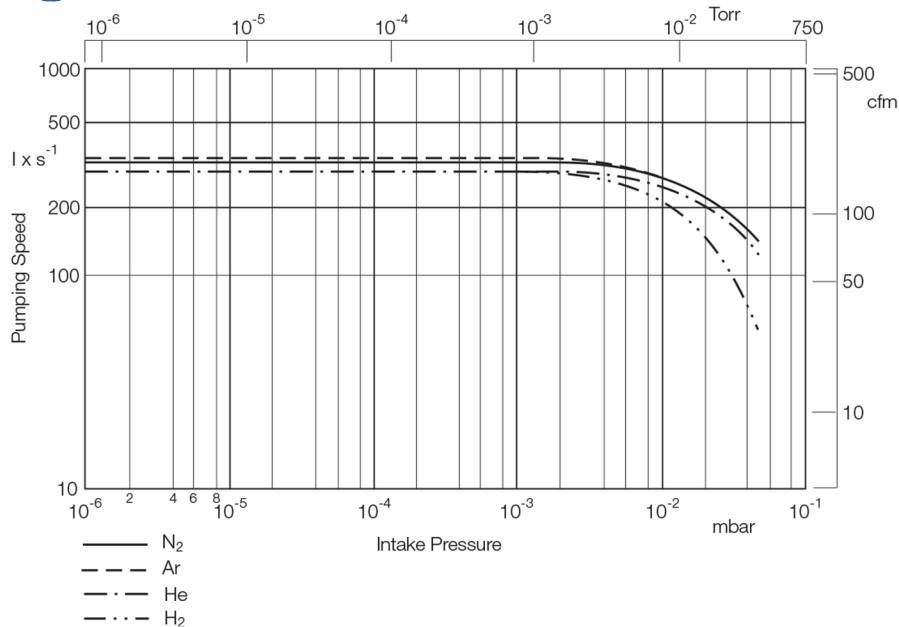
PHONE: 831-462-8900

FAX: 831-462-3536

WWW.PROVAC.COM

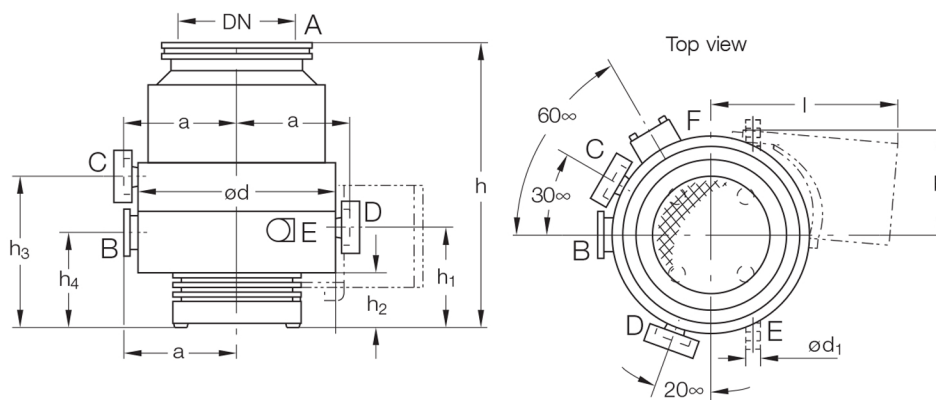
Leybold TMP-361, TMP-361C

Pumping Curves



Pumping speed as a function of the inlet pressure (TURBOVAC 361 with flange DN 100)

Dimensions



DN		361		361 C		h ₂	h ₃	h ₄	a	b	d ₁	l
		h	h	h ₁	h ₁							
100 ISO-K	mm	254	254	88	88	47	135	77	98	94	10	166
	in.	10	10	3.46	3.46	1.85	5.31	3.03	3.86	3.70	0.39	6.54
100 CF	mm	268	-	-	-	47	135	77	98	94	10	166
	in.	10.55	-	-	-	1.85	5.31	3.03	3.86	3.70	0.39	6.54
160 ISO-K	mm	227	227	88	88	47	135	77	98	94	10	166
	in.	8.94	8.94	3.46	3.46	1.85	5.31	3.03	3.86	3.70	0.39	6.54
160 CF	mm	226	-	-	-	47	135	77	98	94	10	166
	in.	8.90	-	-	-	1.85	5.31	3.03	3.86	3.70	0.39	6.54



PROVAC

S A L E S

PHONE: 831-462-8900

FAX: 831-462-3536

WWW.PROVAC.COM

Leybold TMP-361, TMP-361C

Features & Benefits

- pumps with a "C" in the type designation are equipped with a purge gas facility
- oil-free pump for generating clean, high, and ultra-high vacuum conditions
- easy to integrate into complex vacuum systems
- highly reliable operation also in processes loaded with particles
- space-saving
- small footprint
- low operating costs
- operation in any orientation

Applications

- leak detectors • mass spectrometers • optical coating • research and development • UHV systems • particle accelerators • load locks and transfer chambers