



Shimadzu TMP-3203LMC

Technical Specifications

Turbo molecular pump model		TMP-3203M	TMP-3203MC	TMP-3203LM	TMP-3203LMC
Cooling method		Cooling fan		Water	
Ultimate pressure (Note 1)		10 ⁻⁹ Pa order	10 ⁻⁸ Pa order	10 ⁻⁹ Pa order	10 ⁻⁸ Pa order
Maximum Argon gas through put (Note 2)		250 mL/min	400 mL/min	1200 mL/min	2200 mL/min
Maximum allowable inlet pressure (Nitrogen gas)		0.4 Pa		40 Pa	
Maximum allowable outlet pressure		40 Pa		270 Pa	
Pumping speed (Note 3)	N ₂	3200 L/s			
	He	3000 L/s			
	H ₂	2400 L/s			
Compression ratio	N ₂	1 × 10 ⁹ or more			
	He	3 × 10 ⁵			
	H ₂	1 × 10 ⁴			
Rated speed		21000 rpm			
Start-up time		13 minutes			
Mounting position		In any desired direction (Note 4)			
Bake-out temperature at an inlet flange		120 °C or less			
Vibration level (by Shimadzu's method)		0.01 μm or less (0-peak)			
Inlet flange		VG350 (Note 5)			
Outlet flange		KF40			
Mass		70 kg			
Admissible throughput of purge gas		20 to 30 mL/min (Note 2)			
Admissible pumping speed of backing vacuum pump in case of gas purge		1500 L/min or more			
Environmental Temperatures		Operation : 0 to 40 °C / Storage : -25 to 70 °C			
Admissible ambient magnetic field					
Radial direction		3 mT			
Axial direction		15 mT			
Water	Flow rate Pressure Temperature	N/A		2 to 4 L/min 0.2 to 0.5 MPa 5 to 25 °C	

(Note 1) When using a metal gasket at the inlet flange. When using an o-ring gasket, the ultimate pressure is 10⁻⁷ Pa order.

(Note 2) mL/min : volume flow rate at 0 °C, 1 atm. (Compatible with SCCM.)

(Note 3) Without a protective net. Pumping speed for N₂ is 2950 L/s with a protective net.

(Note 4) The outlet flange of the turbo molecular pump should face horizontally or vertically when installing the pump horizontally and obliquely.

(Refer to 5.1.1 「Pump Mounting Direction」)

(Note 5) VG300, VG250 and ISO320B Special are also available.



PROVAC

SALES

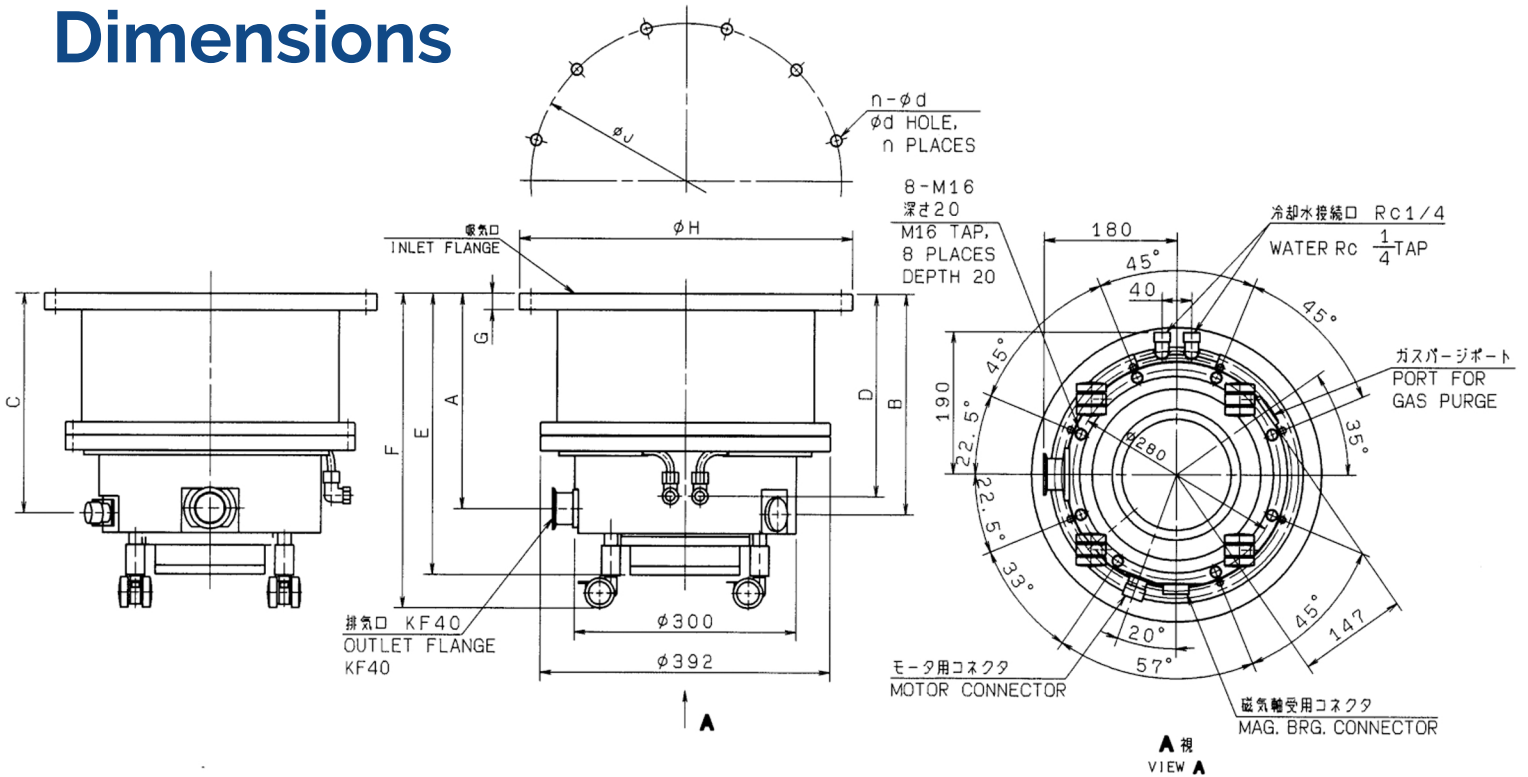
PHONE: 831-462-8900

FAX: 831-462-3536

WWW.PROVAC.COM

Shimadzu TMP-3203LMC

Dimensions



INLET FLANGE	Parts number		A	B	C	D	E	F	G	ϕH	ϕJ	$n-\phi d$
	TMP-3203LM	TMP-3203LMC										
VG350	P/N 262-78430-42	P/N 262-78430-52	287	294	289	270	375	420	22	$\phi 450$	$\phi 420$	12- $\phi 15$
ISO320B Special	P/N 262-78430-43	P/N 262-78430-53	287	294	289	270	375	420	22.5	$\phi 425$	$\phi 395$	12- $\phi 13$
VG300	P/N 262-78430-47	P/N 262-78430-57	307	314	309	290	375	440	18.5	$\phi 400$	$\phi 370$	12- $\phi 13$
VG250	P/N 262-78430-48	P/N 262-78430-58	331	338	333	314	419	464	18.5	$\phi 350$	$\phi 320$	12- $\phi 13$

Applications

- semiconductor
- industrial
- research & development
- ultra high vacuum applications