



Shimadzu TMP-2203LMC

Technical Specifications

		TMP-2203LMC
Cooling method		Liquid cooling (water)
Ultimate pressure (Note 1)		10^{-7} Pa order (10^{-9} Torr order)
Maximum allowable inlet pressure (N2)		40 Pa (300 mTorr)
Maximum allowable outlet pressure		270 Pa (2 Torr)
Pumping speed (Note 2)	Nitrogen	2050 L/s
	Helium	2000 L/s
	Hydrogen	1350 L/s
Compression ratio	Nitrogen	1.4×10^8
	Helium	1×10^4
	Hydrogen	1×10^3
Rated speed		24600 rpm
Start-up time		11 minutes or less
Mounting position		Any direction
Bake-out temperature at an inlet flange		120 °C (248 °F) or less
Vibration level		0.01 μ m or less (0 – peak)
Inlet flange		ICF305, VG250, or ISO250 flange type
Admissible throughput of Nitrogen purge gas		20 ~ 30 SCCM
Recommendable supply pressure of purge gas		0.260.1 kgf/cm ² G (2.8661.43 psi)
Admissible pumping speed of a backing vacuum pump		800 L/min or more
Admissible ambient magnetic field	Radial direction	3 mT
	Axial direction	15 mT
Water	Flow rate	1 ~ 3 L/min
	Pressure	0.2 ~ 0.5 MPa (29 ~ 73 psi)
	Temperature	5 ~ 30 °C
Admissible ambient temperature		0 ~ 40 °C
Weight		55 kg

(Note 1) Measured with a metal gasket used at the pump inlet flange.

(Note 2) Measured with a protective net.

Applications

- semiconductor • industrial • research & development • ultra high vacuum applications



PROVAC

SALES

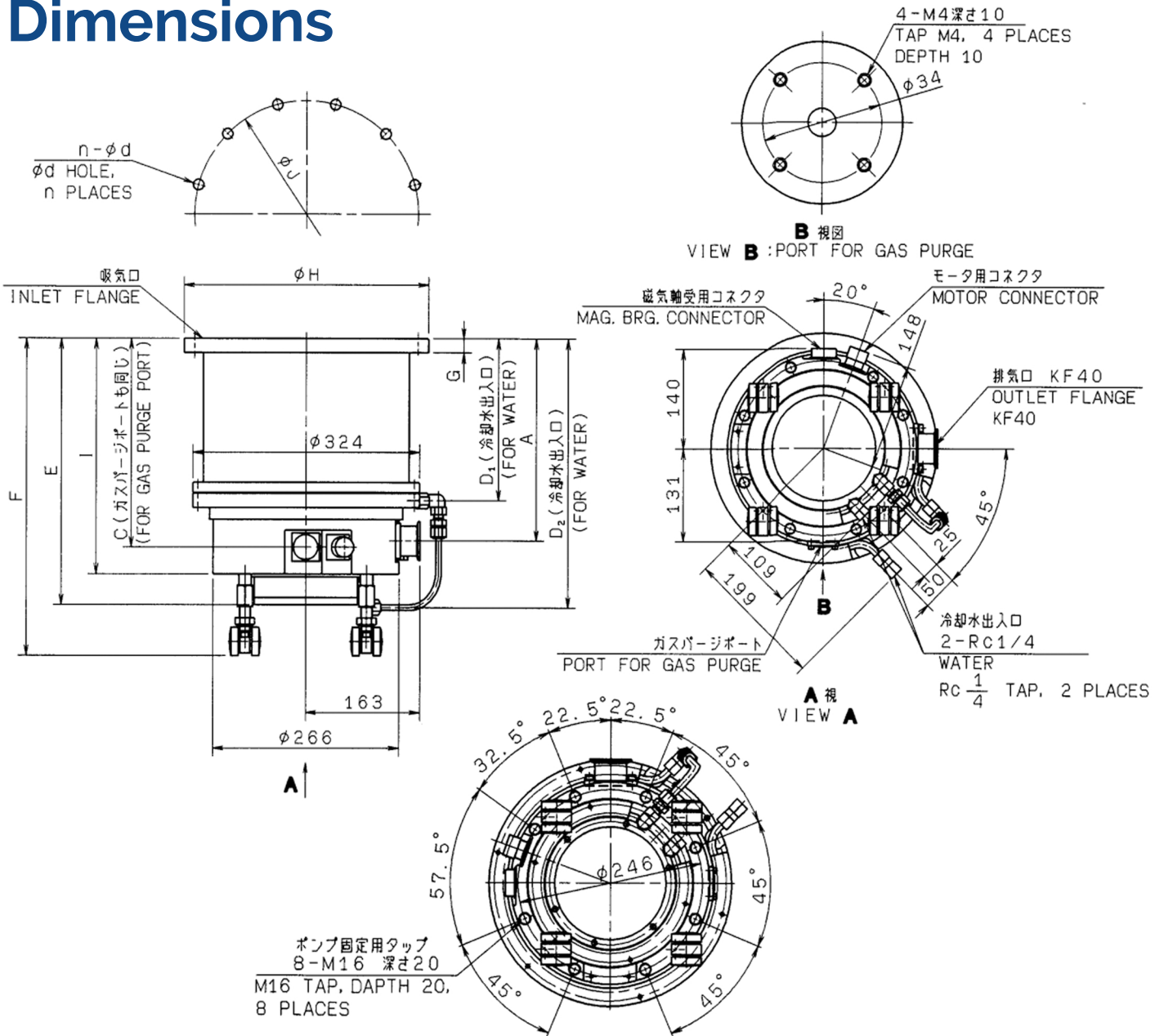
PHONE: 831-462-8900

FAX: 831-462-3536

WWW.PROVAC.COM

Shimadzu TMP-2203LMC

Dimensions



INLET FLANGE	Parts number		A	C	D ₁	D ₂	E	F	G	ϕH	ϕJ	n- ϕd	I
	TMP-2203LM	TMP-2203LMC											
ICF305	P/N 262-78453-01	P/N 262-78453-11	345	354	288.5	439	435	507	28	305	284	32- $\phi 8.4$	392
VG250	P/N 262-78453-02	P/N 262-78453-12	285	294	228.5	379	375	447	20	350	320	12- $\phi 15$	332
ISO250	P/N 262-78453-03	P/N 262-78453-13	315	324	258.5	409	405	477	16	335	310	12- $\phi 11$	362