



Shimadzu TMP-2003M

Technical Specifications

Turbo molecular pump		TMP-2003M	TMP-2003MC	TMP-2003LM	TMP-2003LMC
Suitable Power supply unit		EI-D2003M			
Cooling method		Cooling fan		Water	
Ultimate pressure (Note 1)		10 ⁻⁹ Pa order	10 ⁻⁸ Pa order	10 ⁻⁹ Pa order	10 ⁻⁸ Pa order
Maximum allowable inlet pressure (Nitrogen gas)		0.4 Pa		67 Pa	
Maximum allowable outlet pressure		40 Pa		270 Pa	
Pumping speed (Note 2)	nitrogen	2000 L/s			
	helium	1800 L/s			
	hydrogen	1600 L/s			
Compression ratio	nitrogen	1 × 10 ⁹ or more			
	helium	7 × 10 ⁵			
	hydrogen	1.4 × 10 ⁴			
Rated speed		27000 rpm			
Start-up time		9 minutes or less			
Mounting position		In any desired direction (Note 5)			
Bake-out temperature at an inlet flange		120 °C or less			
Vibration level (by Shimadzu's method)		0.01 μm or less (0-peak)			
Inlet flange		VG250 (Note 4)			
Outlet flange		KF40			
Mass		55 kg			
Admissible throughput of purge gas		20 to 30 mL/min (Note 6)			
Admissible pumping speed of backing vacuum pump in case of gas purge		500 L/min or more			
Admissible ambient magnetic field					
	Radial direction	3 mT			
	Axial direction	15 mT			
Water	Flow rate	N/A		1 to 3 L/min	
	Pressure	N/A		0.2 to 0.5 MPa	
	Temperature	N/A		5 to 30 °C	



PROVAC

SALES

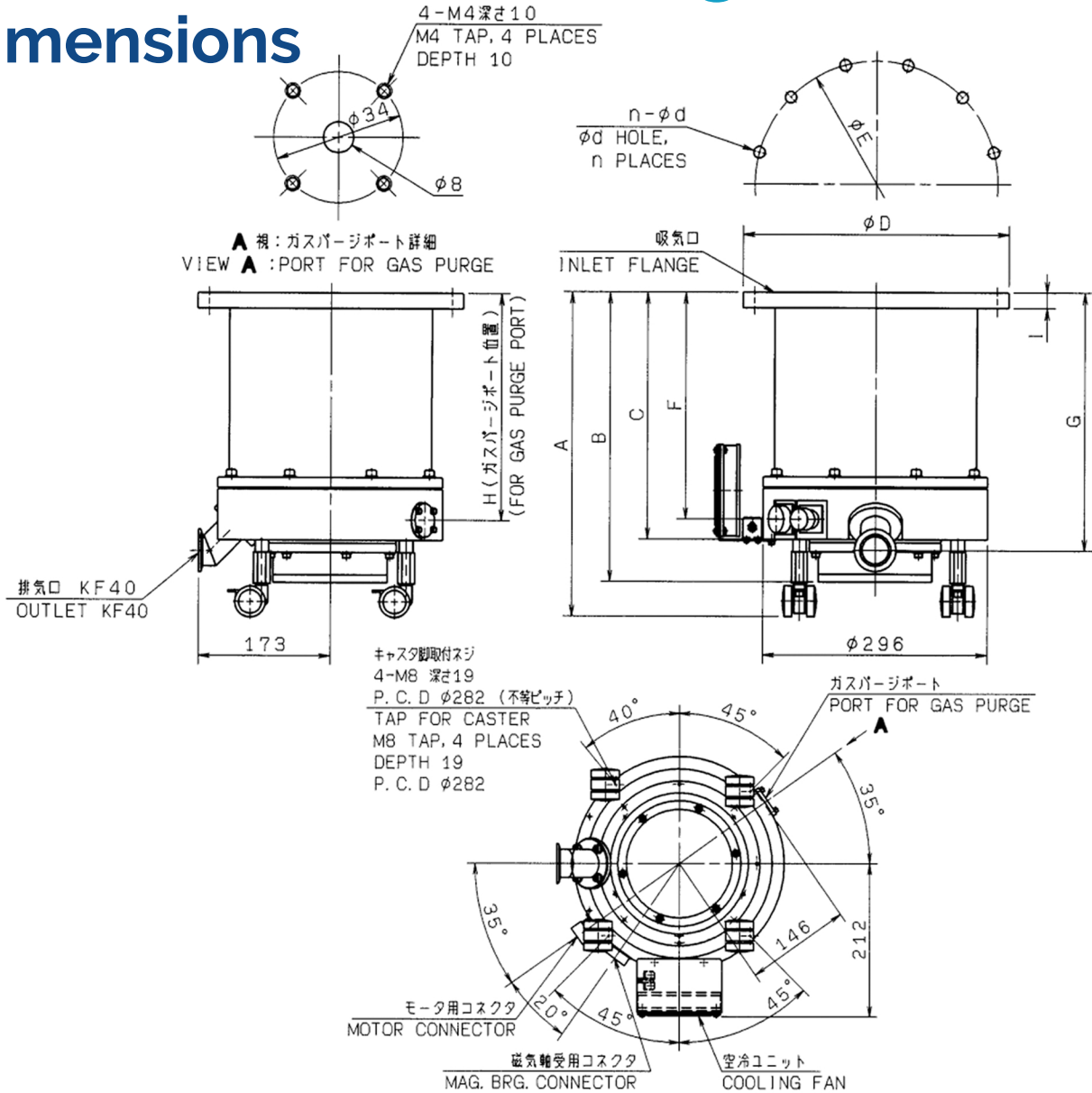
PHONE: 831-462-8900

FAX: 831-462-3536

WWW.PROVAC.COM

Shimadzu TMP-2003M

Dimensions



INLET FLANGE	Parts number		A	B	C	ϕD	ϕE	F	G	H	n- ϕd	I
	TMP-2003M	TMP-2003MC										
ICF305	P/N 262-81439-61	P/N 262-81439-71	420	375	320	305	284	294	334	294	32- $\phi 8.4$	28
VG250	P/N 262-81439-62	P/N 262-81439-72	420	375	320	350	320	294	334	294	12- $\phi 15$	20
ISO250	P/N 262-81439-63	P/N 262-81439-73	430	385	344	335	310	304	344	304	12- $\phi 11$	16

Applications

- semiconductor
- industrial
- research & development
- ultra high vacuum applications