



PROVAC

SALES

PHONE: 831-462-8900

FAX: 831-462-3536

WWW.PROVAC.COM

Pfeiffer TMH-521P, TMU-521P

Technical Specifications

	TMH/U 521 P	TMH/U 521 P
Connection nominal diameter		
Input	DN 100 ISO-K DN 100 CF-F	DN 160 ISO-KF DN 160 CF-F
Output	DN 25 ISO-KF	DN 25 ISO-KF
Pumping speed for		
Nitrogen N ₂ l/s	300	500
Helium He l/s	400	500
Hydrogen H ₂ l/s	400	480
Compression ratio for		
Nitrogen N ₂	$> 1 \cdot 10^{12}$	$> 1 \cdot 10^{12}$
Helium He	$5 \cdot 10^7$	$5 \cdot 10^7$
Hydrogen H ₂	$5 \cdot 10^6$	$5 \cdot 10^6$
Fore vacuum pressure max.		
Nitrogen N ₂ mbar	12.5	12.5
Gas throughput		
Nitrogen N ₂ mbar l/s	12	12
Helium He mbar l/s	12	12
Hydrogen H ₂ mbar l/s	10	10
Recommended backing pump		
Diaphragm pump	MVP 055-3	MVP 055-3
Rotary vane pump	DUO 5	DUO 5
Dry three-stage backing pump	-	-
Ultimate pressure TMH mbar	$< 1 \cdot 10^{-8}$	$< 1 \cdot 10^{-8}$
Ultimate pressure TMU mbar	$< 5 \cdot 10^{-10}$	$< 5 \cdot 10^{-10}$
Run-up time min	5	5
Cooling		
Cooling standard	Air/Water	Air/Water
Weight kg	14.5/15	13.5/14.5



PROVAC

SALES

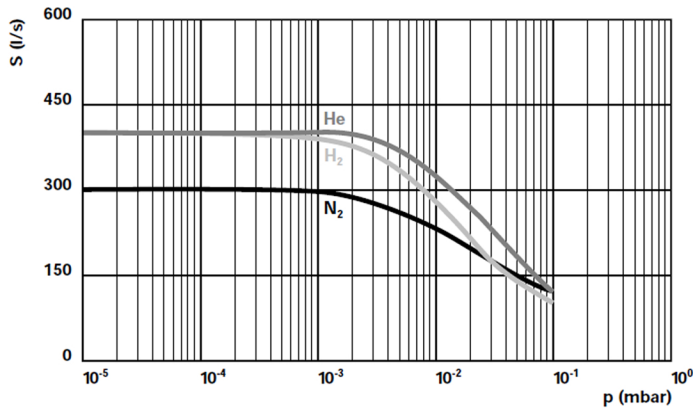
PHONE: 831-462-8900

FAX: 831-462-3536

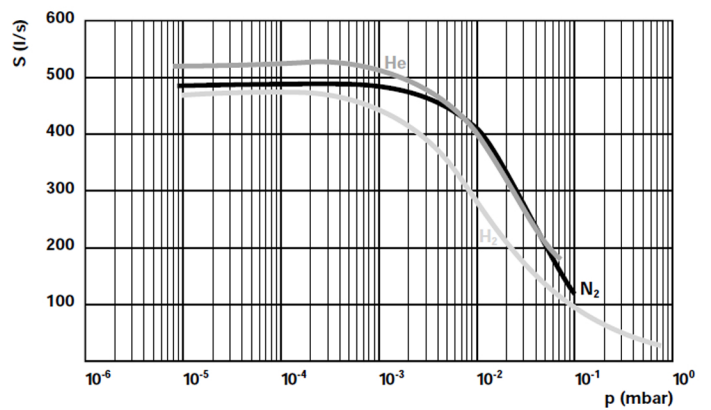
WWW.PROVAC.COM

Pfeiffer TMH-521P, TMU-521P Pumping Curves

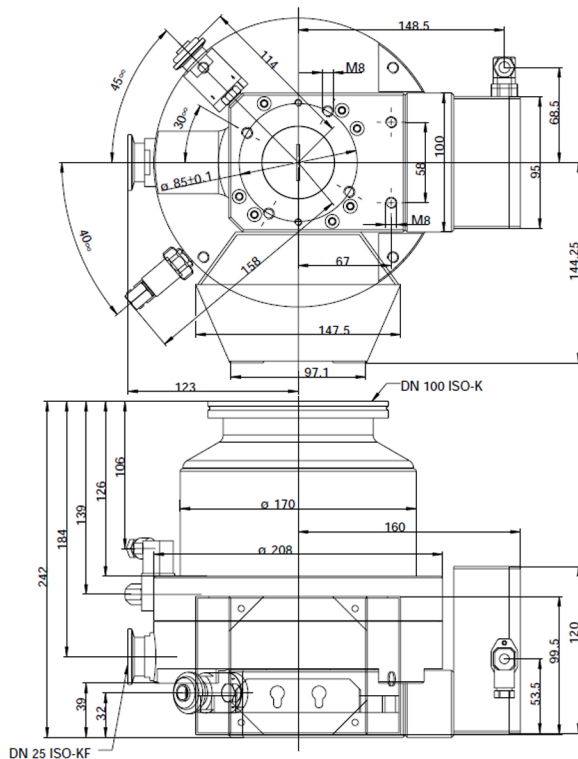
ISO100



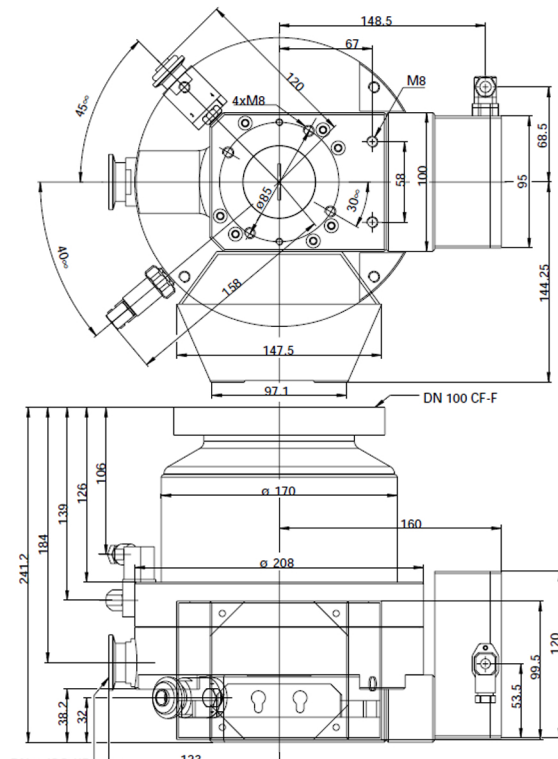
ISO160



Dimensions



TMH 521, DN 100 ISO-K



TMU 521, DN 100 CF-F



PROVAC

SALES

PHONE: 831-462-8900

FAX: 831-462-3536

WWW.PROVAC.COM

Pfeiffer TMH-521P, TMU-521P

Features & Benefits

- pump and drive form single unit
- simple and economical system solution
- modular design for maximum flexibility
- all components connects on the plug & play principle
- minimal space requirements for the entire system
- integrated serial interface provides additional versatility
- low vibration and noise level
- low system costs

Applications

- semiconductor processes • thin film coatings • mass spectrometry
- process gas monitors • research & development • accelerators
- vacuum processing • UHV technology • HV technology • fusion

Recommended controller/backing pump

- Diaphragm pumps: MVP 055-3
- Vane pumps: DUO 5 • DUO 10
- Controllers: DCU-001 • DCU-300