

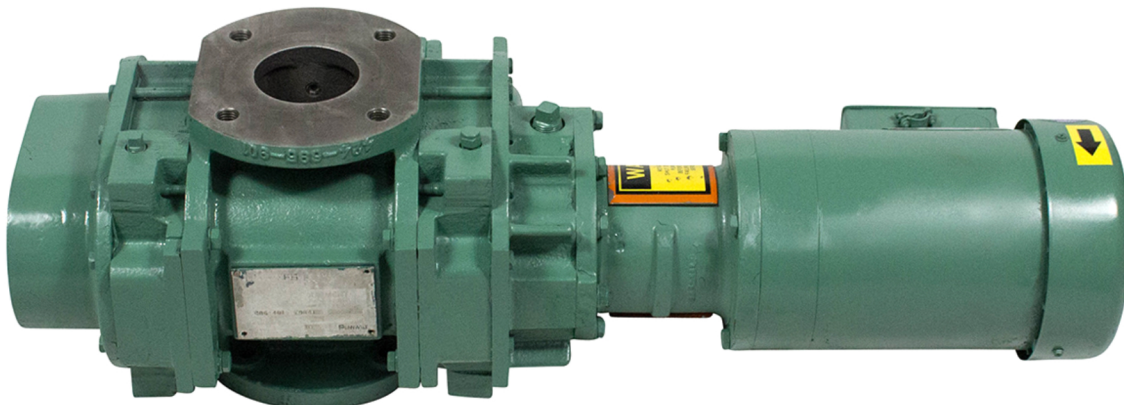


Stokes 306, 310

Technical Specifications

Model		TEFC Direct Drive			V-Belt Drive	
		306		310	306	310
Displacement	CFM	125	245	400	245	400
	M ³ /HR	212	416	680	416	680
Pump Speed, RPM	60 Hz	1800	3600	3600	3600	3600
Motor	HP	1.5	2	2	***	***
	KW	1.12	1.5	1.5	***	***
Inlet & Outlet, ASA		3	3	4	3	4
Overall Dims	In.	32 5/8X 9 1/2X 11 1/4	32 5/8X 9 1/2X 11 1/4	36 5/8X 9 1/2X 11 1/4	18 3/4X 9 1/2X 11 1/4	22 3/4X 9 1/2X 11 1/4
	mm	829 X 241 X 286	829 X 241 X 286	930 X 241 X 286	476 X 241 X 286	578 X 241 X 286
Weight	lbs	200	200	240	150	190
	kg	91	91	109	68	86
Max Pressure Differential	torr	380	380	380	380	380
Max Temp. Rise	°F	275	275	275	275	275
	°C	135	135	135	135	135
Max Discharge Temp.	°F	375	375	375	375	375
	°C	191	191	191	191	191

*** Depending on System Operation. Consult Factory For Application Assistance.





PROVAC

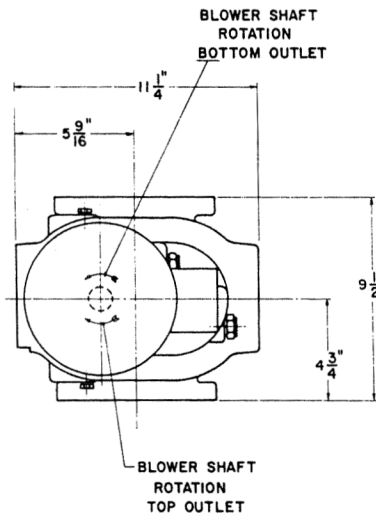
SALES

PHONE: 831-462-8900

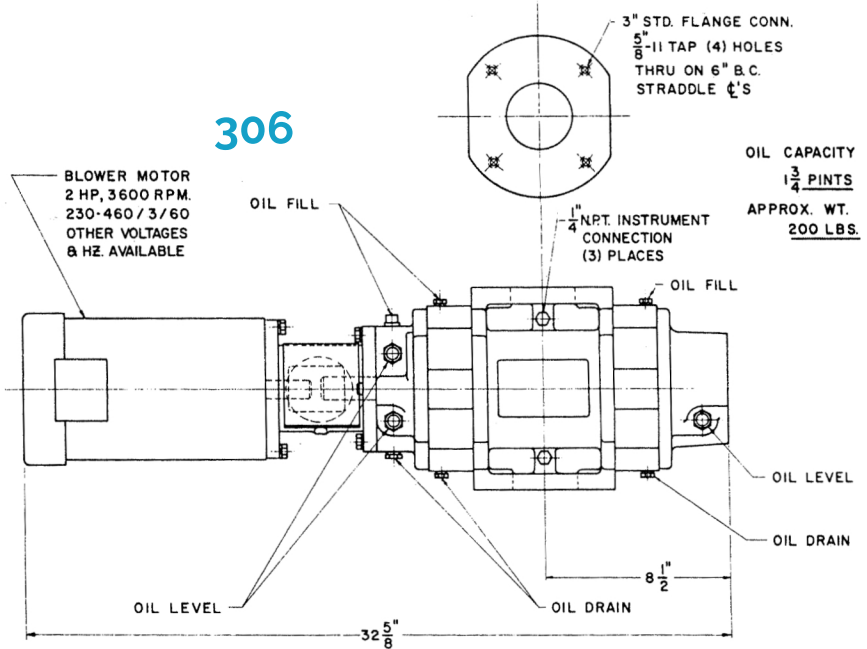
FAX: 831-462-3536

WWW.PROVAC.COM

Stokes 306, 310 Dimensions



306

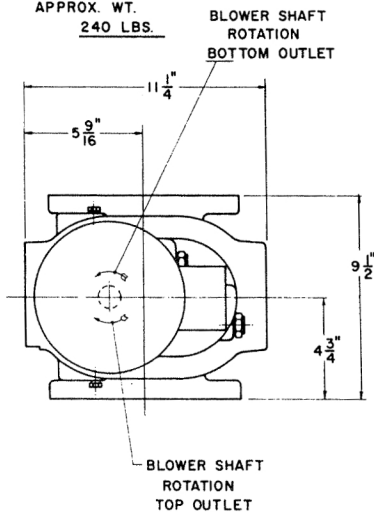


OIL CAPACITY
1 ³/₄ PINTS
APPROX. WT.
200 LBS.

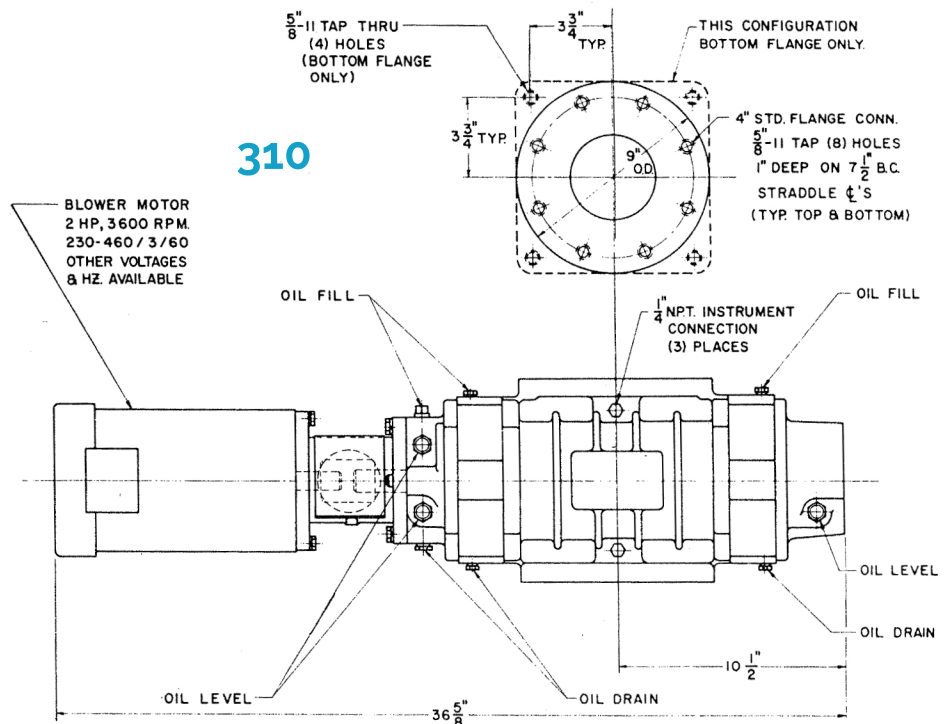
PRODUCT CODE 900-306-401

125 C.F.M. at 1800 R.P.M.
245 C.F.M. at 3600 R.P.M.

OIL CAPACITY
1 ³/₄ PINTS
APPROX. WT.
240 LBS.



310



PRODUCT CODE 900-310-401