



# Pfeiffer SplitFlow 50

## Technical Specifications

	SplitFlow™ 50 with TC 110, DN 63 ISO-K
Bearing	Hybrid
Compression ratio (interstage pumping/fore-vacuum) for Ar	$1.5 \cdot 10^3$
Compression ratio (interstage pumping/fore-vacuum) for H <sub>2</sub>	$2 \cdot 10^1$
Compression ratio (interstage pumping/fore-vacuum) for He	$5 \cdot 10^1$
Compression ratio (interstage pumping/fore-vacuum) for N <sub>2</sub>	$9 \cdot 10^2$
Compression ratio for Ar	$2.1 \cdot 10^{10}$
Compression ratio for H <sub>2</sub>	$1.3 \cdot 10^6$
Compression ratio for He	$1.8 \cdot 10^6$
Compression ratio for N <sub>2</sub>	$1 \cdot 10^8$
Cooling method, optional	Air/water
Cooling method, standard	Convection
Cooling water consumption	75 l/h
Cooling water temperature	5-25 °C   41-77 °F   278-298 K
Electronic drive unit	TM 700
Flange (in)	DN 63 ISO-K
Flange (interstage pumping)	M5
Flange (out)	G 1/4"
Fore-vacuum max. for N <sub>2</sub>	20 hPa   15 Torr   20 mbar
Gas throughput at full rotational speed for Ar	0.46 hPa·l/s
Gas throughput at full rotational speed for H <sub>2</sub>	110 hPa·l/s
Gas throughput at full rotational speed for He	7.3 hPa·l/s
Gas throughput at full rotational speed for N <sub>2</sub>	1.8 hPa·l/s
Interfaces	RS-485, Remote
Mounting orientation	Any
Operating voltage: V DC	24 (± 5 %) V DC
Permissible magnetic field max.	5 mT
Protection category	IP54
Pumping speed (interstage pumping) for Ar	0.13 l/s
Pumping speed (interstage pumping) for H <sub>2</sub>	0.3 l/s
Pumping speed (interstage pumping) for He	0.16 l/s
Pumping speed (interstage pumping) for N <sub>2</sub>	0.15 l/s
Pumping speed for Ar	53 l/s
Pumping speed for H <sub>2</sub>	21 l/s
Pumping speed for He	27 l/s
Pumping speed for N <sub>2</sub>	53 l/s
Rotation speed ± 2 %	49,000 rpm   49,000 min <sup>-1</sup>
Run-up time	1.3 min
Sound pressure level	≤ 48 dB(A)
Ultimate pressure according to PNEUROP	< 4 · 10 <sup>-7</sup> hPa   < 3 · 10 <sup>-7</sup> Torr   < 4 · 10 <sup>-7</sup> mbar
Venting connection	G 1/8"
Weight	2.3 kg   5.07 lb



# PROVAC

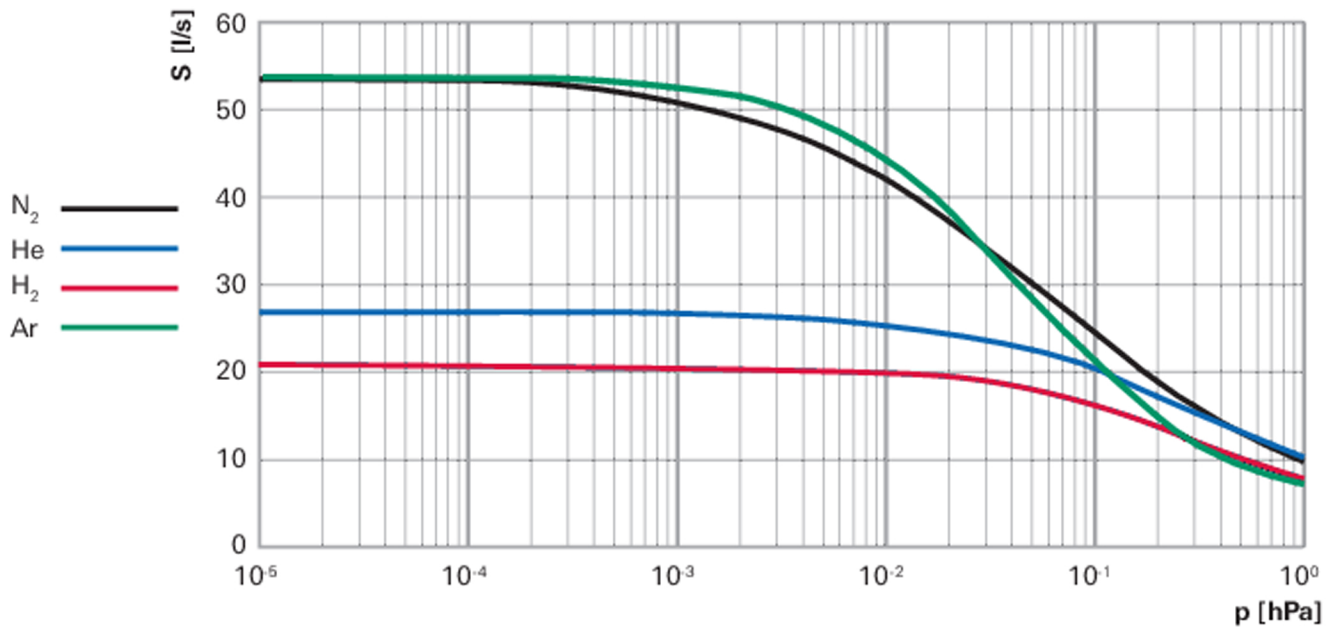
## SALES

PHONE: 831-462-8900

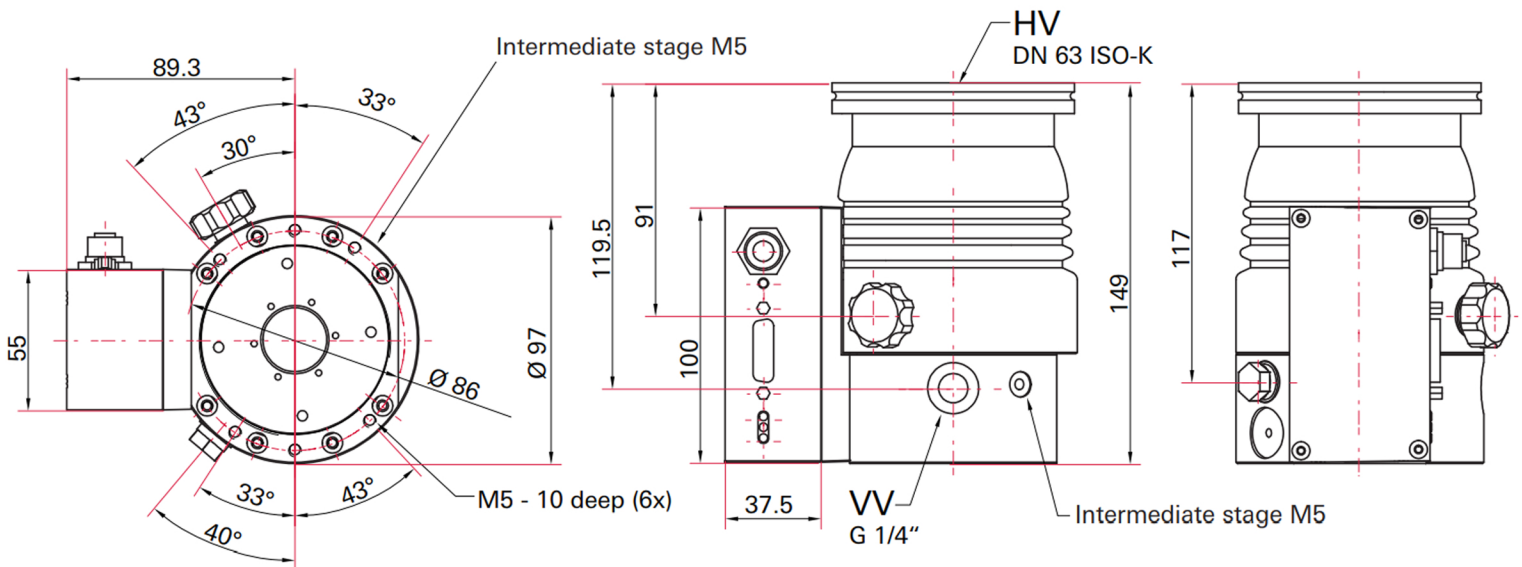
FAX: 831-462-3536

WWW.PROVAC.COM

## Pfeiffer SplitFlow 50 Pumping Curves



## Dimensions





# PROVAC

## SALES

PHONE: 831-462-8900

FAX: 831-462-3536

WWW.PROVAC.COM

## Pfeiffer SplitFlow 50 Features & Benefits

- small & powerful turbo based on HiPace technology
- compact design makes for minimum footprint
- high pumping speed & maximum compression for all gases
- integrated TC110 drive electronics
- installation in any orientation
- extensive accessories expand the range of applications
- suitable for industrial environments
- maximum reliability through monitoring of operating data

## Applications

- analytics • leak detection • mass spectrometry

