



Leybold SV-470B(F), SV-570B(F)

Technical Specifications

		SOGEVAC 50 Hz	SV 470 B(F) 60 Hz	SOGEVAC SV 570 B(F) 50 Hz
Nominal speed ¹⁾	m ³ x h ⁻¹ (cfm)	470 (277)	570 (366)	570 (366)
Pumping speed ¹⁾	m ³ x h ⁻¹ (cfm)	400 (236)	470 (277)	470 (277)
Ultimate total pressure without gas ballast ¹⁾	mbar (Torr)	0.08 (0.06)	0.08 (0.06)	0.08 (0.06)
Ultimate total pressure with				
1 gas ballast ¹⁾	mbar (Torr)	0.7 (0.5)	0.7 (0.5)	0.7 (0.5)
2 gas ballast valves ¹⁾	mbar (Torr)	2.0 (1.5)	2.0 (1.5)	2.0 (1.5)
Water vapor tolerance				
1 gas ballast ^{1), 2)}	mbar (Torr)	15.0 (11.0)	20.0 (15.0)	20.0 (15.0)
2 gas ballast valves ^{1), 2)}	mbar (Torr)	40.0 (30.0)	50.0 (38.0)	20.0 (15.0)
Max. perm. water vapor capacity				
1 gas ballast ^{1), 2)}	kg x h ⁻¹ (qt/hr)	5.0 (5.3)	7.5 (8.0)	7.5 (8.0)
2 gas ballast valves ^{1), 2)}	kg x h ⁻¹ (qt/hr)	13.0 (14.0)	17.0 (18.0)	17.0 (14.0)
Oil filling, min. / max.	l (qt)	20 / 21	20 / 21	20 / 21
Noise level (averaged) ³⁾	dB(A)	72	75 (72 for BF pumps)	75 (72 for BF pumps)
Admissible ambient temperature	°C (°F)	12 to 40 (54 to 104)	12 to 40 (54 to 104)	12 to 40 (54 to 104)
Nominal motor speed	min ⁻¹ (rpm)	820 (820)	1000 (1000)	1000 (1000)
Type of protection / Isolation	IP / -	54 / F	54 / F	54 / F
Cooling		Air (Water at BF variants)	Air (Water at BF variants)	Air (Water at BF variants)
Temperature protection				
Pump		yes	yes	yes
Motor PTC		yes	yes	yes
Water quality	TH	(4 to 8 at BF variants)	(4 to 8 at BF variants)	(4 to 8 at BF variants)
Water pressure, min. / max.	bar (psig)	(2 / 8 at BF variants)	(2 / 8 at BF variants)	(2 / 8 at BF variants)
Dimensions (L x W x H)	mm (in.)	1305 x 863 x 733 ⁴⁾ (51.38 x 33.98 x 28.86)	1305 x 863 x 733 ⁴⁾ (51.38 x 33.98 x 28.86)	1305 x 863 x 733 ⁴⁾ (51.38 x 33.98 x 28.86)
Connection				
Intake side	Europe / US G or NPT	3"	3"	3"
Pressure side	Europe / US G or NPT	3"	3"	3"

¹⁾ To DIN 28 400 and following numbers, with standard gas ballast

²⁾ Please ask Leybold for more information about water cooled pumps

³⁾ Operated at the ultimate pressure without gas ballast, free-field measurement at a distance of 1 m (3.5 ft)

⁴⁾ With G 3" flanges. NPT 3" flanges add. 45 mm (1.8 in.) on pump length and height



PROVAC

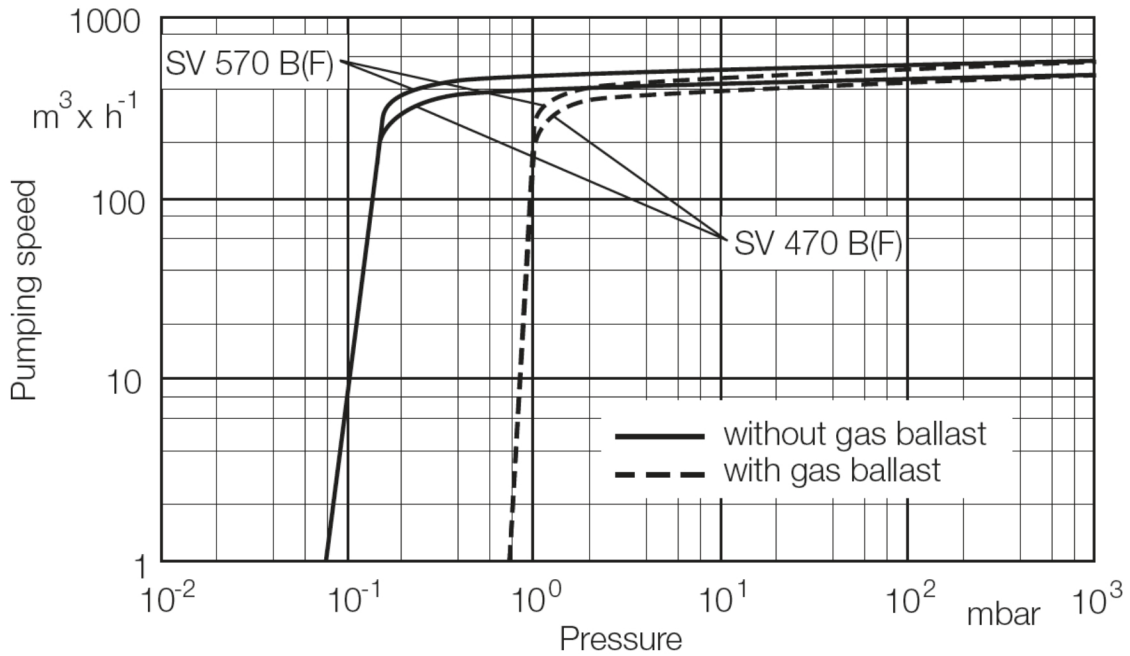
SALES

PHONE: 831-462-8900

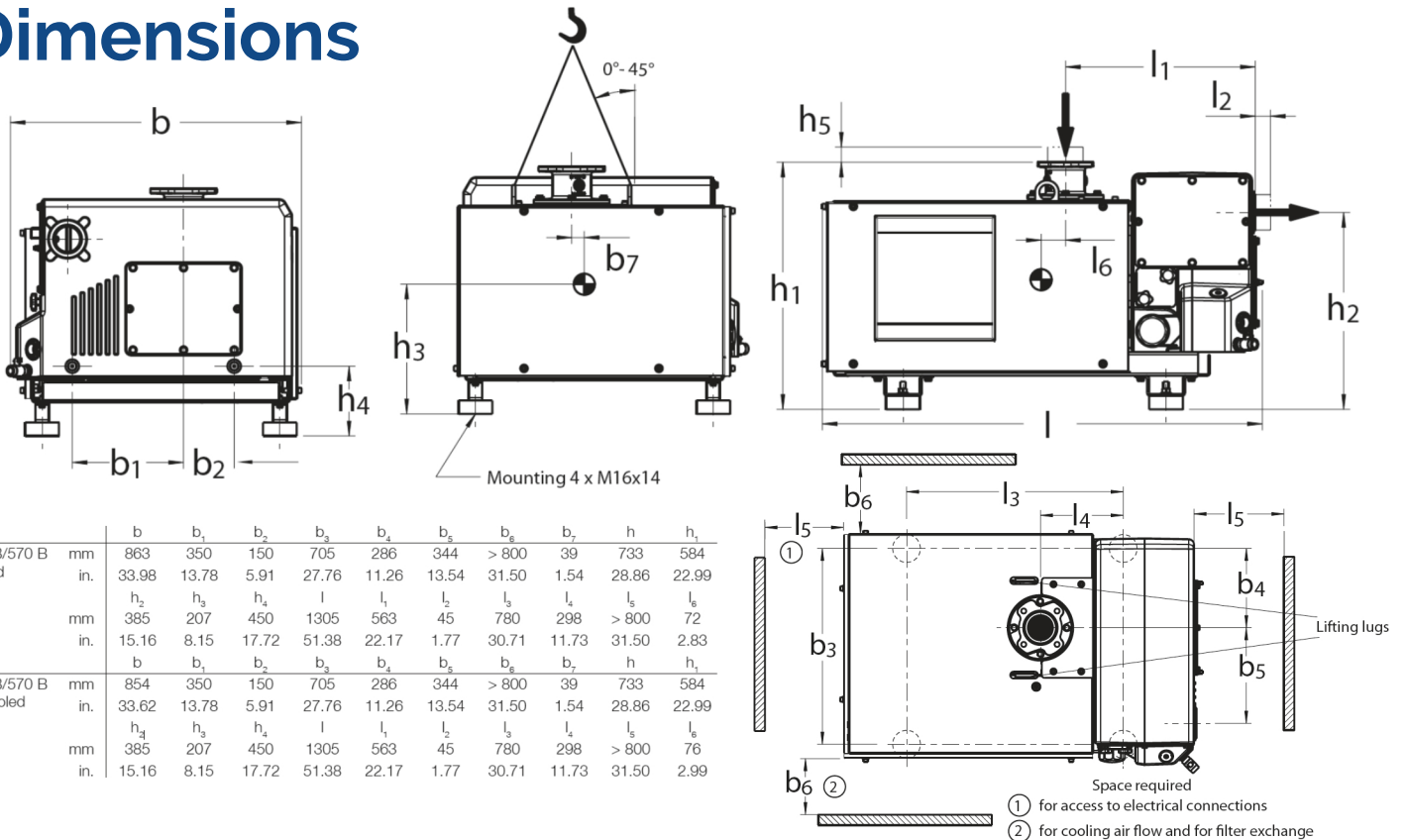
FAX: 831-462-3536

WWW.PROVAC.COM

Leybold SV-470B(F), SV-570B(F) Pumping Curves



Dimensions



Type	b	b ₁	b ₂	b ₃	b ₄	b ₅	b ₆	b ₇	h	h ₁	
SV 470 B/570 B air cooled	mm	863	350	150	705	286	344	> 800	39	733	584
	in.	33.98	13.78	5.91	27.76	11.26	13.54	31.50	1.54	28.86	22.99
	mm	h ₂	h ₃	h ₄	l	l ₁	l ₂	l ₃	l ₄	l ₅	l ₆
	mm	385	207	450	1305	563	45	780	298	> 800	72
	in.	15.16	8.15	17.72	51.38	22.17	1.77	30.71	11.73	31.50	2.83
	in.	b	b ₁	b ₂	b ₃	b ₄	b ₅	b ₆	b ₇	h	h ₁
SV 470 B/570 B water cooled	mm	854	350	150	705	286	344	> 800	39	733	584
	in.	33.62	13.78	5.91	27.76	11.26	13.54	31.50	1.54	28.86	22.99
	mm	h ₃	h ₃	h ₄	l	l ₁	l ₂	l ₃	l ₄	l ₅	l ₆
	mm	385	207	450	1305	563	45	780	298	> 800	76
	in.	15.16	8.15	17.72	51.38	22.17	1.77	30.71	11.73	31.50	2.99
	in.	b	b ₁	b ₂	b ₃	b ₄	b ₅	b ₆	b ₇	h	h ₁



PROVAC

S A L E S

PHONE: 831-462-8900

FAX: 831-462-3536

WWW.PROVAC.COM

Leybold SV-470B(F), SV-570B(F) Features & Benefits

- very low rotational speed
- extremely low noise level
- reduced number of oil pipes
- reduced operational costs
- long lifetime of oil & exhaust filters
- simplified maintenance
- compact size & design
- adaptors for direct mounting

Applications

- vacuum coating • metallurgy • furnaces • automotive industry • space simulation • electrical & mechanical engineering • freeze drying systems • food industry • plant engineering • cleaning • packaging