



PROVAC

SALES

PHONE: 831-462-8900

FAX: 831-462-3536

WWW.PROVAC.COM

Seiko Seiki STP-iXA3306C

Technical Specifications

Inlet flange size	ISO250F/ VG250/ ICF305	ISO320F/ VG300/ ICF356	
Backing port size	KF40		
Pumping speed N ₂	2650	3200	Litres/second
Pumping speed Ar	2300	2800	Litres/second
Compression ratio N ₂ /H ₂	>10 ⁸ / 2 x 10 ³		
Ultimate pressure	10 ⁻⁷ (10 ⁻⁹)		Pa (Torr)
Allowable backing pressure	266 (2)		Pa (Torr)
Max gas flow N ₂ *1 (water cooled only)	4000 (6.76)		sccm (Pa m ³ /sec)
Max gas flow Ar *1 (water cooled only)	2100 (3.55)		sccm (Pa m ³ /sec)
Rated speed	27700		rpm
Starting time	<10		minutes
Mounting position	Any orientation		
Input voltage	200-240		V
Max input power without TMS	1500		VA
Max input power with TMS	1800		VA
Weight			
Weight	80	83	kg

*1: The maximum gas flow is applicable under conditions that N₂ or Ar gas is pumped continuously with water cooling temperature under 25° C and the backing pump (10,000 l/min size) is used. It is changed on condition.



PROVAC

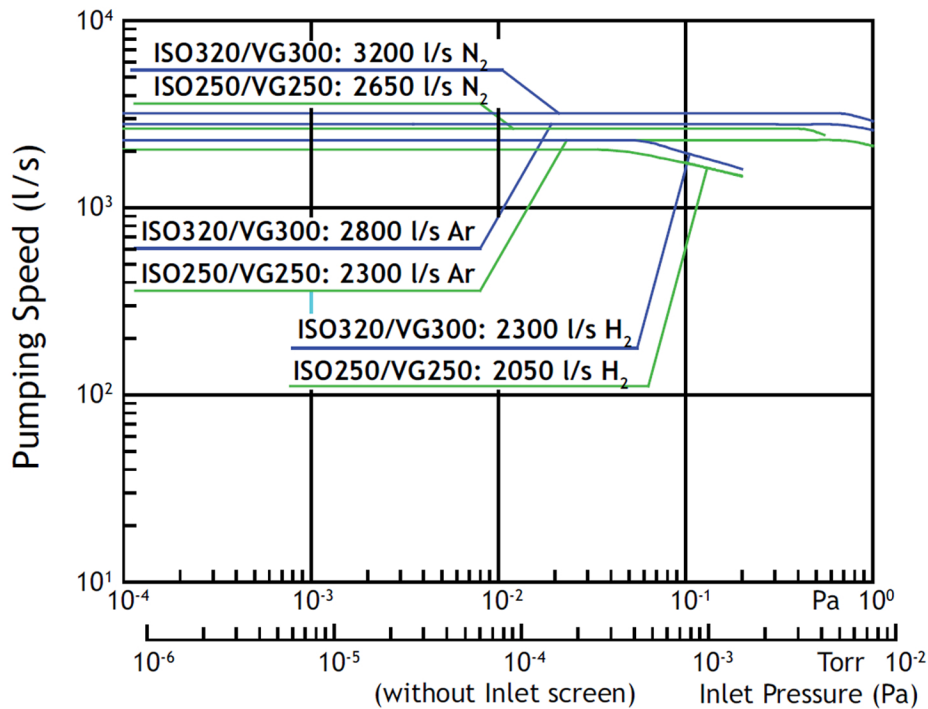
SALES

PHONE: 831-462-8900

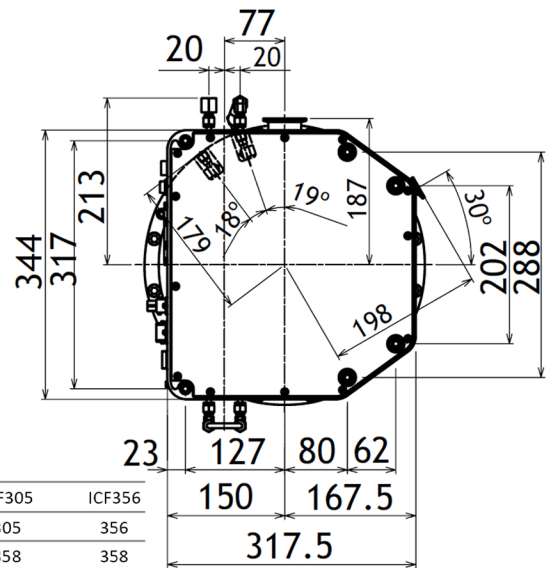
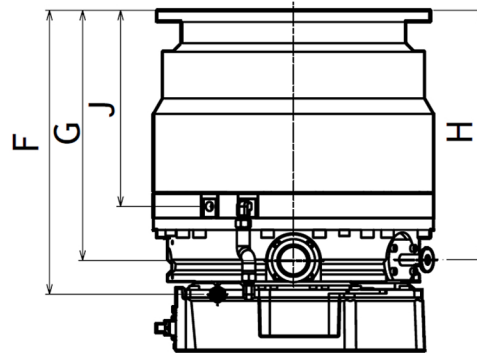
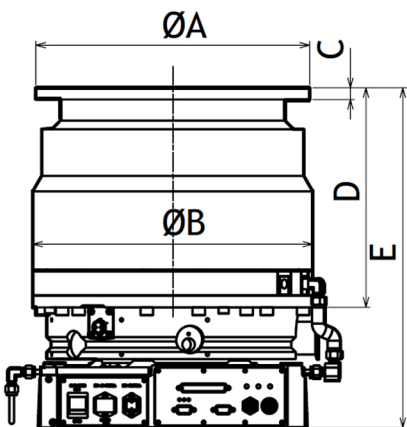
FAX: 831-462-3536

WWW.PROVAC.COM

Seiko Seiki STP-iXA3306C Pumping Curves



Dimensions



Inlet port	VG250	ISO250F	VG300	ISO320F	ICF305	ICF356
ØA	350	335	400	425	305	356
ØB	358	358	358	358	358	358
C	15	15	18	20	28	28.5
D	281	281	242	242	286	281
E	435	435	396	396	440	435
F	363	363	325	325	368	364
G	320	320	282	282	325	321
H	319	319	281	281	324	320
J	251	251	212	212	256	251



PROVAC

SALES

PHONE: 831-462-8900

FAX: 831-462-3536

WWW.PROVAC.COM

Seiko Seiki STP-iXA3306C Features & Benefits

- compact design including fully integrated controller
- innovative, self-sensing magnetic bearing system
- digital 5-axis control
- vibration levels reduced by 50% compared to other turbos
- can be configured to run corrosive processes

Applications

- plasma etch • ECR etch • film deposition • sputtering • ion implantation source

