



Seiko Seiki STP-XA2703C, 3203C Technical Specifications

	STP-XA2703C	STP-XA3203C	
Inlet flange size	ISO250F/VG250	ISO320F/VG300	
Pumping speed N ₂ /H ₂	2650/2050	3200/2300	litres/second
Compression ratio N ₂ /H ₂	>10 ⁸ /6 x 10 ³	>10 ⁸ /6 x 10 ³	
Ultimate pressure	10 ⁻⁷ oder	10 ⁻⁷ oder	Pa
Maximum allowable backing pressure	266	266	Pa
Maximum allowable gas flow, N ₂ *	3000 (5.0)	3000 (5.0)	sccm (Pa m ³ /s)
Maximum allowable gas flow, AR *	2000 (3.4)	2000 (3.4)	sccm (Pa m ³ /s)
Rated speed	27500	27500	rpm
Starting time	8	8	minutes
Mounting position	Any orientation		
Water cooling			
Flow	3	3	Litres/min
Temperature	5-25 (41-77)	5-25 (41-77)	°C (°F)
Pressure	0.3	0.3	MPa
Recommended purge gas flow	50 (8.4 x 10 ⁻²)	50 (8.4 x 10 ⁻²)	sccm (Pa m ³ /s)
Input voltage	200-240 +/- 10%	200-240 +/- 10%	AC V
Typical power consumption	1.5	1.5	KVA
Weight, pump/controller	75/12 (165/26.4)	80/12 (176/26.4)	kg (lb)

* water cooled only, 10,000 l/min backing pump



PROVAC

SALES

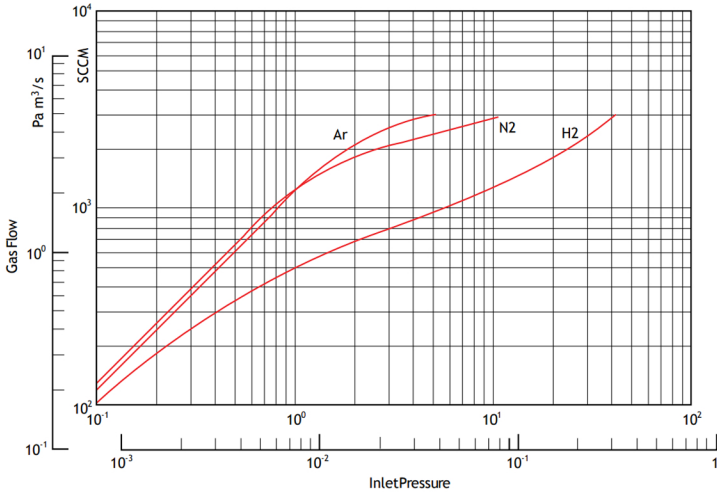
PHONE: 831-462-8900

FAX: 831-462-3536

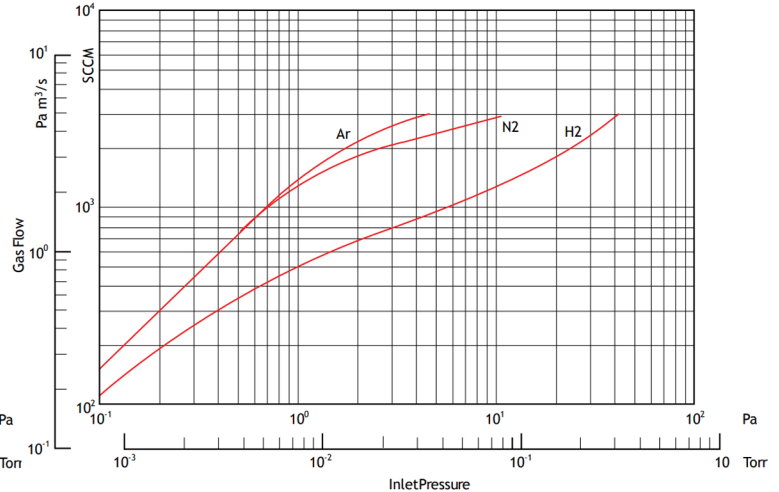
WWW.PROVAC.COM

Seiko Seiki STP-XA2703C, 3203C Pumping Curves

STP-XA2703C



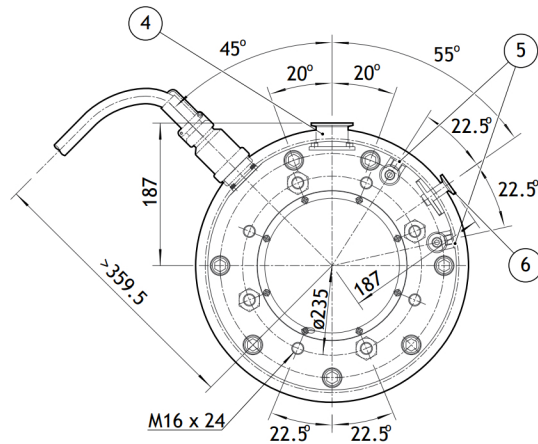
STP-XA3203C



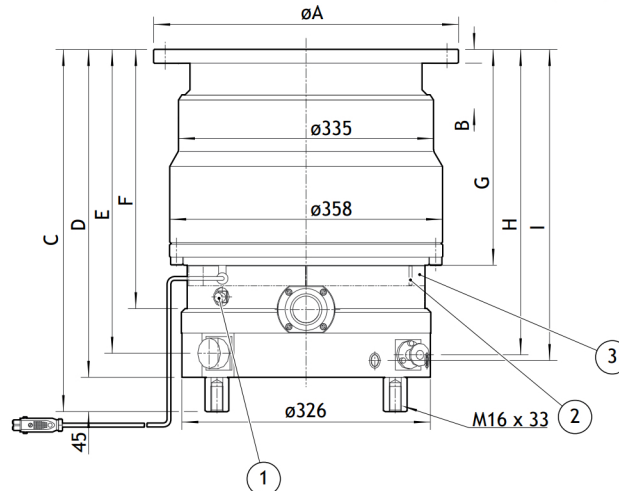
Dimensions

	STP-XA2703		
Inlet flange port	VG250	ISO250F	ICF305 (DN250 CF)
ØA	350 (13.8)	335 (13.2)	305 (12.0)
B	15 (0.6)	15 (0.6)	28 (1.1)
C	454 (17.9)	454 (17.9)	459 (18.1)
D	409 (16.1)	409 (16.1)	414 (16.3)
E	377.5 (14.9)	377.5 (14.9)	383 (15.1)
F	319 (12.6)	319 (12.6)	325 (12.8)
G	262 (10.3)	262 (10.3)	267 (10.5)
H	379.5 (14.9)	379.5 (14.9)	385 (15.2)
I	387 (15.2)	387 (15.2)	393 (15.5)

	STP-XA3203		
Inlet flange port	VG300	ISO320F	ICF356 (DN320 CF)
ØA	400 (15.8)	425 (16.7)	356 (14.0)
B	18 (0.7)	20 (0.8)	28.5 (1.1)
C	415.5 (16.4)	415.5 (16.4)	454.5 (17.9)
D	370.5 (14.6)	370.5 (14.6)	409.5 (16.1)
E	339 (13.3)	339 (13.3)	378.5 (14.9)
F	280.5 (11.0)	280.5 (11.0)	320.5 (12.6)
G	223.5 (8.8)	223.5 (8.8)	262.5 (10.3)
H	341 (13.4)	341 (13.4)	380.5 (15.0)
I	348.5 (13.7)	348.5 (13.7)	388 (15.3)



- 1 Temperature Management System (TMS) Sensor
- 2 TMS heater*
- 3 TMS heater cover*
- 4 Outlet port KF40
- 5 Cooling water port Rc 1/4 (ISO)
- 6 Purge port KF10
- * TMS spec only





PROVAC

SALES

PHONE: 831-462-8900

FAX: 831-462-3536

WWW.PROVAC.COM

Seiko Seiki STP-XA2703C, 3203C Features & Benefits

- advanced rotor design
- maintenance free
- contamination free, oil-free vacuum
- low cost of ownership
- innovative torque management
- optimized temperature management
- enhanced throughput for all gases
- suited for light & harsh applications
- maximum process flow capability

Applications

- semiconductor etch • implant • lithography • LCD processes • diffusion
- high energy physics • load lock chambers • surface analysis • mass spectrometry • electron microscopy

