



# Seiko Seiki STP-F2203C

## Technical Specifications

Item		F2203 series
Flange size	Inlet port flange	VG250/ISO250F
	Outlet port flange	KF40
Pumping speed	N <sub>2</sub> L/s	2200
	H <sub>2</sub> L/s	1200
Compression ratio	N <sub>2</sub>	>10 <sup>8</sup>
	H <sub>2</sub>	>10 <sup>3</sup>
Ultimate pressure	Pa (Torr)	10 <sup>-6</sup> (10 <sup>-8</sup> ) order [after baking]
Allowable backing pressure <sup>*1</sup>	Pa (Torr)	500 (4): Water cooling/TMS unit used
Flow rate of purge gas <N <sub>2</sub> >	Pa·m <sup>3</sup> /s (SCCM)	3.4×10 <sup>-2</sup> to 8.4×10 <sup>-2</sup> (20 to 50)
Rated speed	rpm	27,000
Backup rotational speed <sup>*2</sup>	rpm	Approximately 6,000
Starting time <sup>*3</sup>	min	7: with SCU-1500 8: with SCU-1400
Stopping time <sup>*3</sup>	min	8: with SCU-1500 10: with SCU-1400
Noise	dB	<50 (at 27,000rpm)
Temperature Management System (TMS)		Available
Baking temperature	°C	<120
Lubricating oil		Not necessary
Installation position		Free
Cooling method		Water cooling
Recommended backing-pump	L/min	>1,300
Mass <sup>*4</sup>	kg	61
Ambient temperature range	°C	0 to 40
Storage temperature range	°C	-25 to 55
Applicable Control unit		SCU-1500/SCU-1400

<sup>\*1</sup> The pressure is applicable under conditions that N<sub>2</sub> or other similar gas is vacuumed and the backing-pump (pumping speed: 1,300 L/min) is used. When the gas is exhausted intermittently, the gas more than the maximum gas flow-rate can be exhausted. Consult Edwards about conditions.

<sup>\*2</sup> A backup rotational speed is the lowest rotational speed to which the magnetic bearing can be backed up at a power failure.

<sup>\*3</sup> Time varies depending on the control unit used.



# PROVAC

## SALES

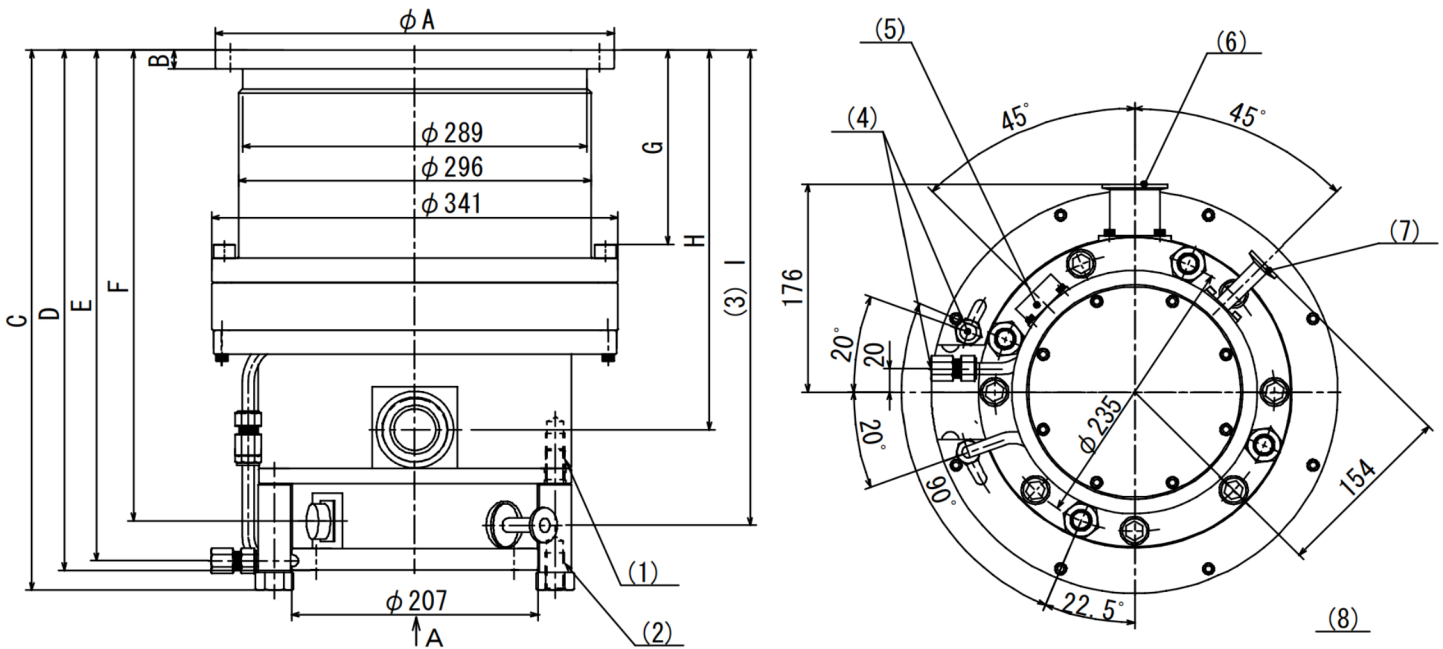
PHONE: 831-462-8900

FAX: 831-462-3536

WWW.PROVAC.COM

# Seiko Seiki STP-F2203C

## Dimensions



No.	Item	Description
1	Screw hole for legs	4-M16 depth 30
2	Screw hole of legs	4-M16 depth 32
3	Height of the purge port	
4	Cooling water port	2-Rc <sup>*1</sup> 1/4
5	STP cable connector	
6	Outlet port flange	KF40
7	Purge port	KF10
8	Viewed from arrow A	

Inlet port flange	VG250	ISO250F
$\phi A$	350	335
B	18	20
C	431	457
D	414	440
E	406	432
F	372	398
G	138	164
H	295	321
I	376	402

\*1 ISO