



Leybold SC-15D, SC-30D

Technical Specifications

		SC 15 D	SC 30 D
Nominal pumping speed ¹⁾			
50 Hz	m ³ /h (cfm)	15.0 (8.8)	30.0 (17.7)
60 Hz	m ³ /h (cfm)	18.0 (10.6)	36.0 (21.2)
Pumping speed ¹⁾			
50 Hz	m ³ /h (cfm)	13.0 (7.7)	26.0 (13.3)
60 Hz	m ³ /h (cfm)	15.5 (9.1)	31.0 (18.3)
Attainable ultimate pressure	mbar (Torr)	≤ 0.016 (≤ 0.012)	≤ 0.01 (≤ 0.008)
Leak rate	mbar l/s	1 x 10 ⁻⁶	1 x 10 ⁻⁶
Maximum inlet pressure		Atmosphere	Atmosphere
Permissible ambient temperature	°C (°F)	5 to 40 (41 to 104)	5 to 40 (41 to 104)
Connections			
Inlet	DN	25	40
Exhaust	DN	16	25
Cooling		Air	Air
Water vapor capacity	g/h	1.04	1.04
with purge, min.	l/min	10	10
Protection class	IP	20	20
Motor power	W (hp)	400 (0.54)	600 (0.82)
Motor speed			
50 Hz	min ⁻¹ (rpm)	1450 (1450)	1450 (1450)
60 Hz	min ⁻¹ (rpm)	1730 (1730)	1730 (1730)
Motor voltage	1 ph. ²⁾	100 V / 50 Hz 100 - 115 V / 60 Hz 200 - 230 V / 50/60 Hz	100 V / 50 Hz 100 - 115 V / 60 Hz 200 - 230 V / 50/60 Hz
	3 ph.	200 V, 380 - 415 V / 50 Hz 200 - 230 V, 460 V / 60 Hz	200 V, 380 - 415 V / 50 Hz 200 - 230 V, 460 V / 60 Hz
Noise level at 1 m, free field measurement	dB(A)	≤ 58	≤ 62
Dimensions (W x H x D)	mm (in.)	400 x 252 x 336 (15.75 x 9.92 x 13.23)	443 x 328 x 372 (17.44 x 12.91 x 14.65)
Weight			
Single-phase motor	kg (lbs)	25 (55.2)	44 (97.1)
Three-phase motor	kg (lbs)	23 (50.8)	38 (83.9)



PROVAC

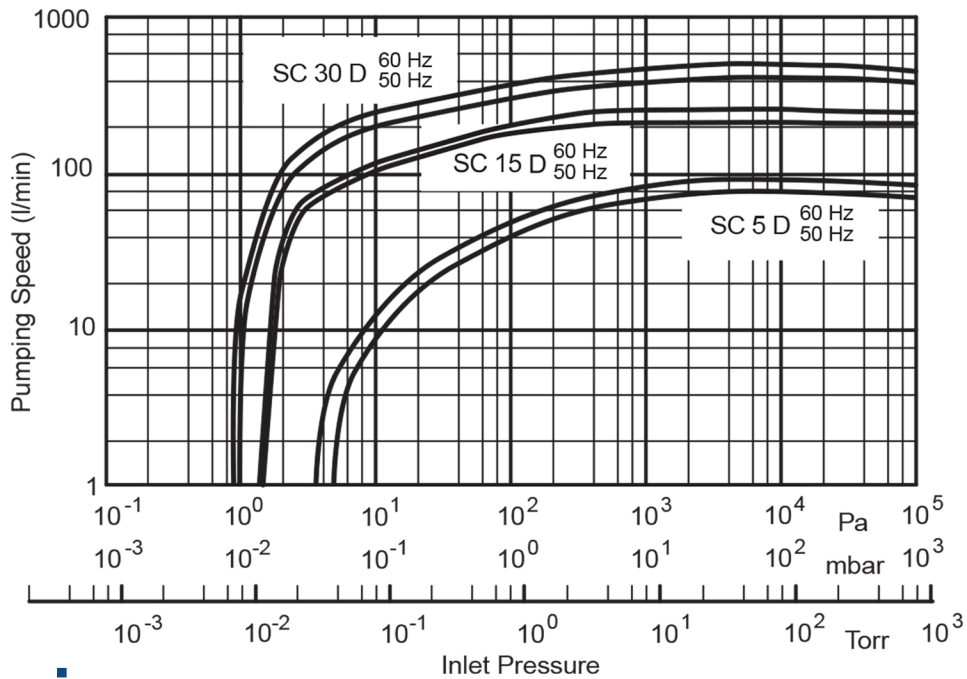
SALES

PHONE: 831-462-8900

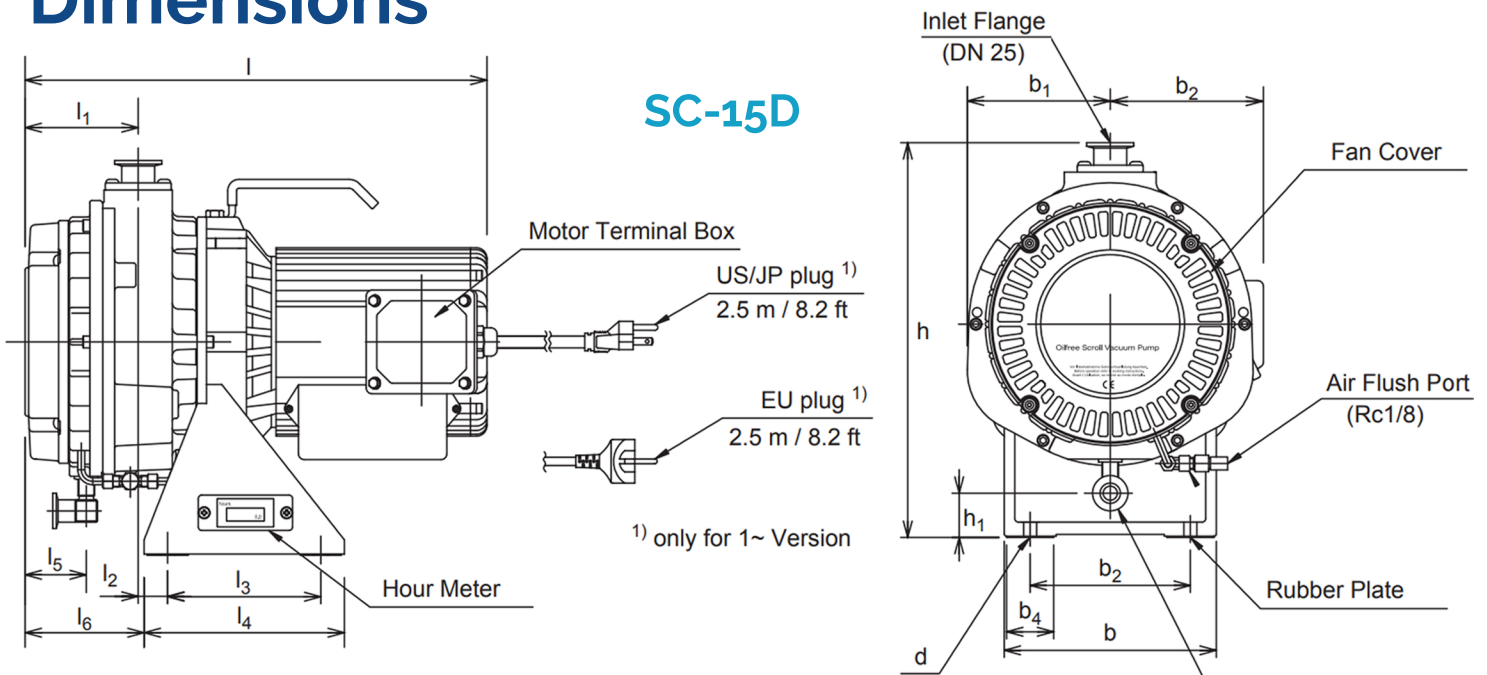
FAX: 831-462-3536

WWW.PROVAC.COM

Leybold SC-15D, SC-30D Pumping Curves



Dimensions



Type		b	b ₁	b ₂	b ₃	b ₄	ø d	h	h ₁	l	l ₁	l ₂	l ₃	l ₄	l ₅	l ₆
SC 15 D	mm	180	122	130	136	40	11	336	38	400 ²⁾	96	25	130	170	52	101
	in.	7.09	4.80	5.12	5.35	1.57	0.43	13.23	1.50	15.75 ²⁾	3.78	0.98	5.12	6.69	2.05	3.98

²⁾ 370 (14.57 in.) for 3~ version



PROVAC

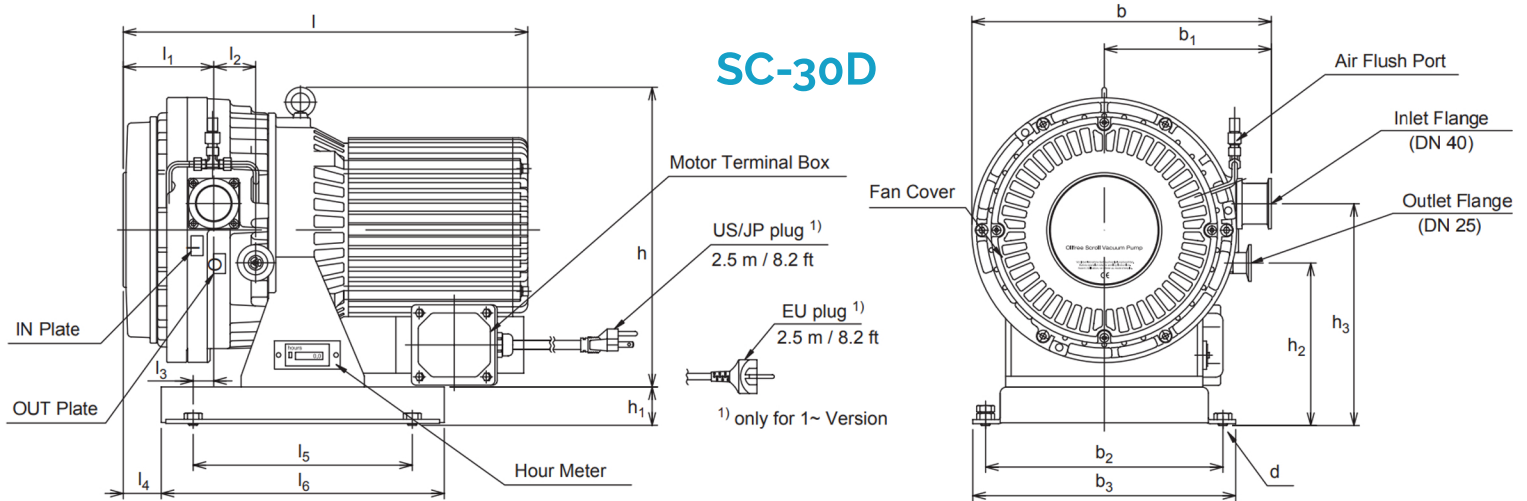
SALES

PHONE: 831-462-8900

FAX: 831-462-3536

WWW.PROVAC.COM

Leybold SC-15D, SC-30D Dimensions (cont.)



Type		b	b ₁	b ₂	b ₃	ø d	h	h ₁	h ₂	h ₃	l	l ₁	l ₂	l ₃	l ₄	l ₅	l ₆
SC 30 D	mm	328	183	250	288	M 10	330	42	178	243	443 ²⁾	99	46	22	42	240	310
	in.	12.91	7.20	9.84	11.34	M 10	12.99	1.65	7.01	9.57	17.44 ²⁾	3.90	1.81	0.87	1.65	9.45	12.20

²⁾ 372 (14.65 in.) for 3~ version

Features & Benefits

- completely oil-free
- high effective pumping speed, low ultimate pressure
- low noise & vibration operation
- atmospheric inlet pressure allowable
- compact, lightweight
- low power consumption
- integrated hours counter

Applications

- scanning electron microscope • ion implanter • general clean pump application • sputtering • turbo pump backing • chamber roughing
- electron beam welding • lasers • leak detection • surface analysis instruments • load lock • spectroscopy • lamp manufacturing