



Vacuubrand RZ 9

Technical Specifications

	Unit	RZ 9
Number of stages		2
Max. pumping speed at 50/60 Hz	m ³ /h	8.9 / 10.2
Max. pumping speed at 50/60 Hz	cfm	5.2 / 6.0
Ultimate partial vacuum (abs.)	mbar	4 x 10 ⁻⁴
Ultimate vacuum (abs.)	mbar/torr	2 x 10 ⁻³ / 1.5 x 10 ⁻³
Ultim. vac. (abs.) with gas ballast	mbar/torr	1 x 10 ⁻² / 0.75 x 10 ⁻²
Water vapor tolerance with gas ballast	mbar	40
Ambient temperature range (operation)	°C	12 - 40
Ambient temperature range (storage)	°C	-10 - 60
Oil capacity (B-Oil) min./max.	l	0.2 / 0.7
Max. back pressure (abs.)	bar	1.1
Inlet connection		small flange KF DN 25
Outlet connection		small flange KF DN 25
Rated motor power	kW	0.37
Rated motor speed at 50/60 Hz	min-1	1500/1800
Protection class		IP 40
Dimensions (L x W x H)	mm	460 x 152 x 232
Weight	kg	24.2
Noise level at 50 Hz, typ.	dBA	52
Items supplied		Pump oil filled and completely mounted, ready for use, with manual.
Accessories		Stainless steel tubing KF DN 25 (1000 mm: 20673337) Separator inlet side AK R 8/9/16 (20698007) Oil mist filter FO R 8/9/16 (20698017) Inline oil filter HF R 8/9/16, until 06/2016 (20698010) Package fine vacuum control KF DN 25 (20700110 or 20700111)



PROVAC

SALES

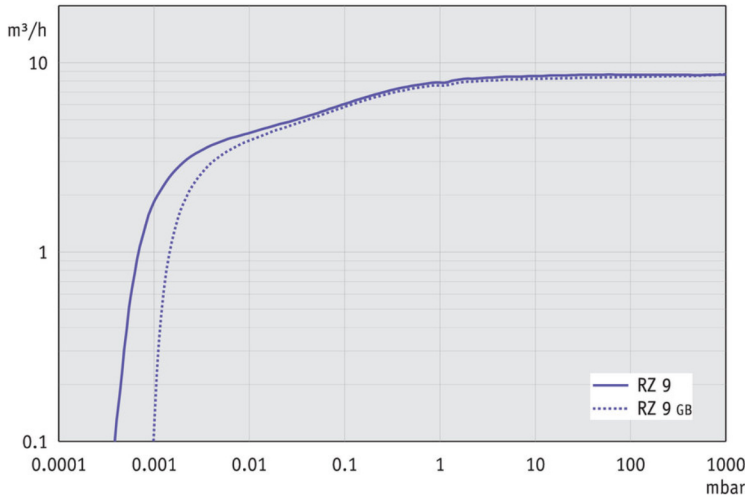
PHONE: 831-462-8900

FAX: 831-462-3536

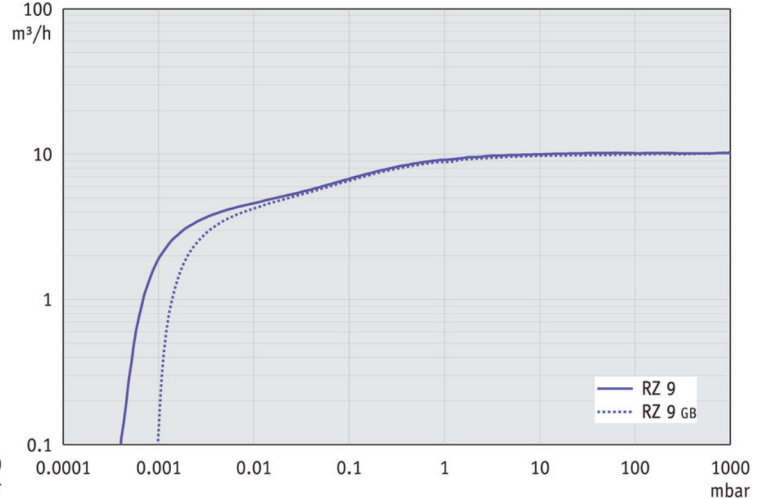
WWW.PROVAC.COM

Vacuubrand RZ 9 Pumping Curves

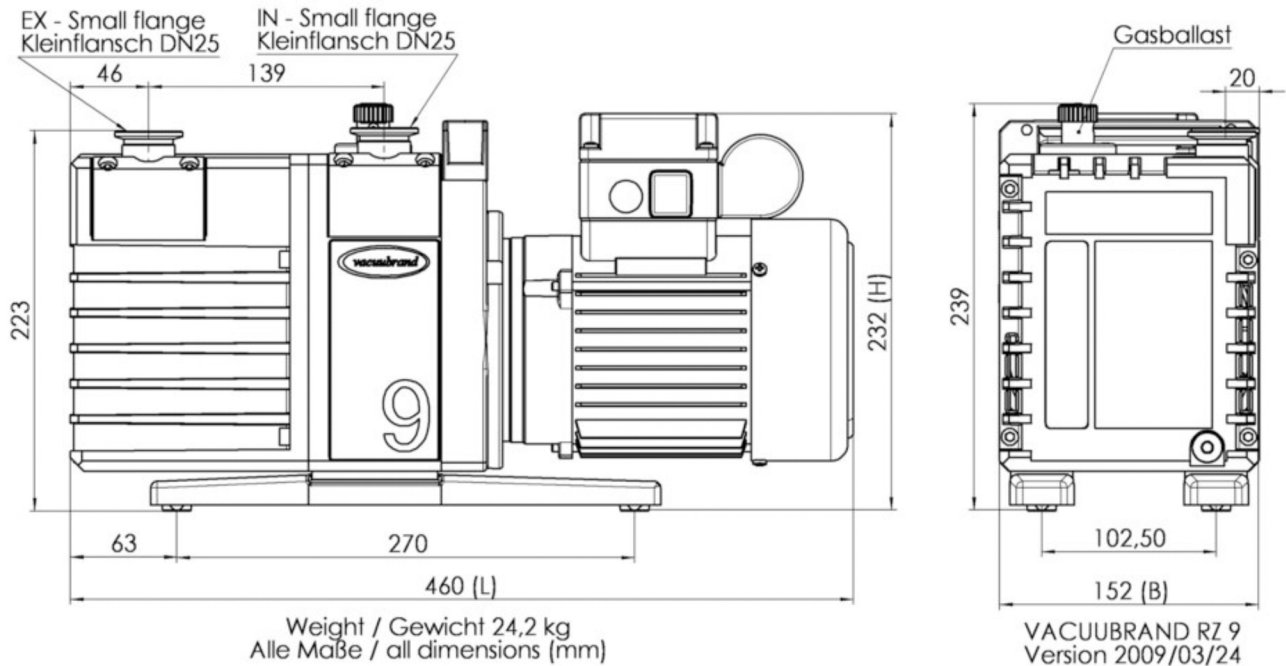
50Hz



60Hz



Dimensions





PROVAC

SALES

PHONE: 831-462-8900

FAX: 831-462-3536

WWW.PROVAC.COM

Vacuubrand RZ 9 Features & Benefits

- powerful, mid-size, two-stage
- ideal solution for wide range of lab & process applications
- high flow rates, even at levels approaching ultimate vacuum
- high water vapor tolerance due to efficient gas ballast
- very good ultimate vacuum, even with gas ballast
- vacuum-tight at switch-off; extrnal anti suckback valve not needed
- large oil volume; long intervals between oil changes
- ease of maintenance due to telescopic design

Applications

- drying chambers • lyophilization • drying with minimal residues
- forevacuum for turbo pumps

