



Vacuubrand RZ 6

Technical Specifications

	Unit	RZ 6
Number of stages		2
Max. pumping speed at 50/60 Hz	m ³ /h	5.7 / 6.8
Max. pumping speed at 50/60 Hz	cfm	3.4 / 4.0
Ultimate partial vacuum (abs.)	mbar	4 x 10 ⁻⁴
Ultimate vacuum (abs.)	mbar/torr	2 x 10 ⁻³ / 1.5 x 10 ⁻³
Ultim. vac. (abs.) with gas ballast	mbar/torr	1 x 10 ⁻² / 0.75 x 10 ⁻²
Water vapor tolerance with gas ballast	mbar	40
Ambient temperature range (operation)	°C	12 - 40
Ambient temperature range (storage)	°C	-10 - 60
Oil capacity (B-Oil) min./max.	l	0.34 / 0.65
Max. back pressure (abs.)	bar	1.1
Inlet connection		Small flange KF DN 16
Outlet connection		Hose nozzle DN 8-10 mm
Rated motor power	kW	0.3
Rated motor speed at 50/60 Hz	min-1	1500/1800
Degree of protection		IP 40
Dimensions (L x W x H)	mm	370 x 142 x 207
Weight	kg	16.4
Noise level at 50 Hz, typ.	dBA	50
Items supplied		Pump oil filled and completely mounted, ready for use, with manual.



PROVAC

SALES

PHONE: 831-462-8900

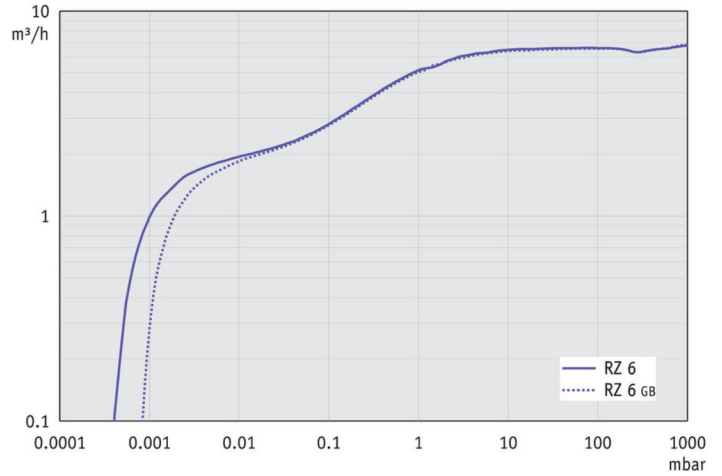
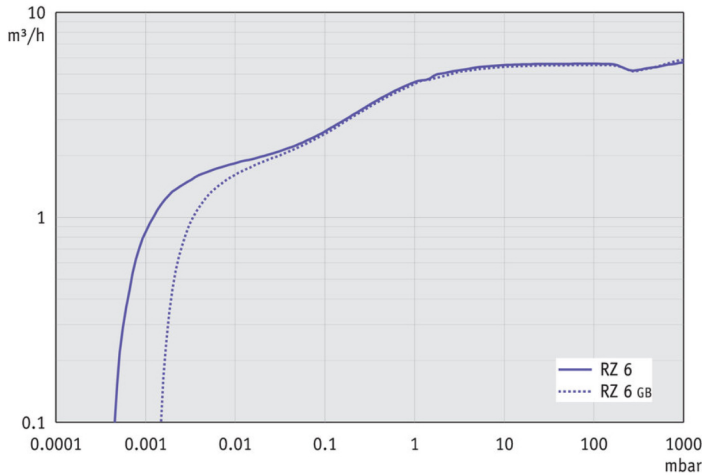
FAX: 831-462-3536

WWW.PROVAC.COM

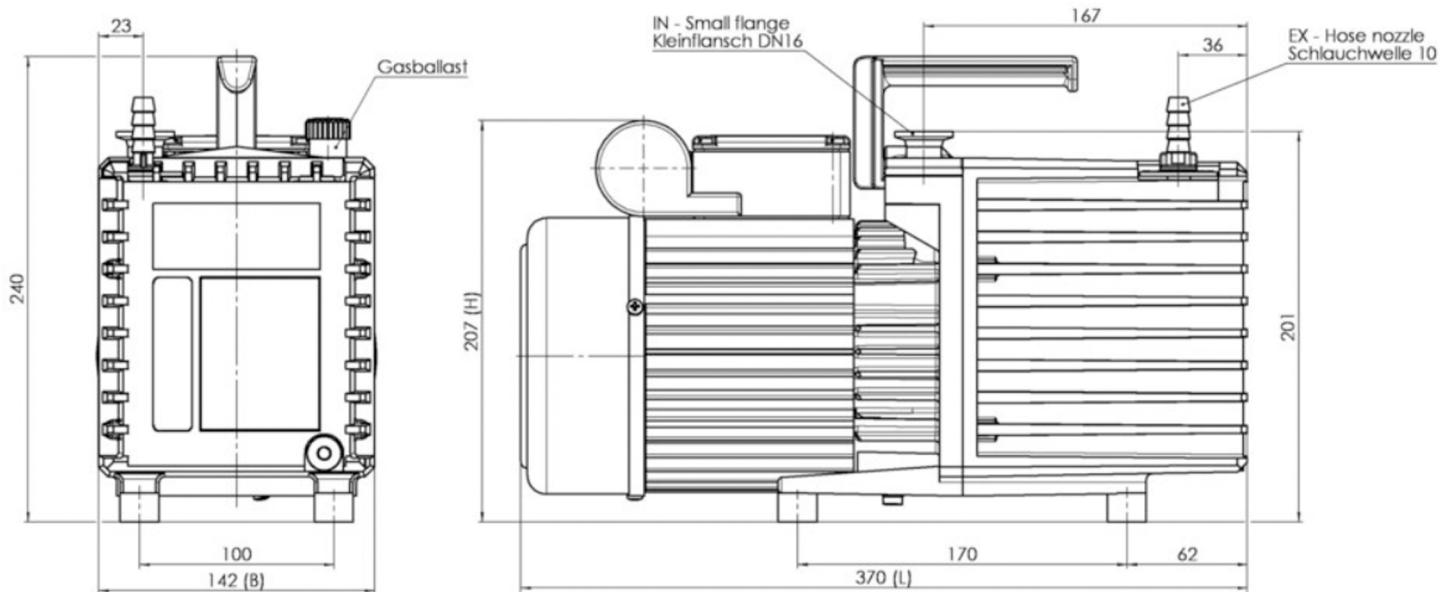
Vacuubrand RZ 6 Pumping Curves

50Hz

60Hz



Dimensions



Dimensions / Masse = mm
 Oil / Öl = min. 340 ml
 max. 730 ml
 Weight / Gewicht = 16,4 kg

VACUUBRAND RZ 6
 Version 2009/03/24



PROVAC

SALES

PHONE: 831-462-8900

FAX: 831-462-3536

WWW.PROVAC.COM

Vacuubrand RZ 6

Features & Benefits

- compact design & low weight for pump of this capacity
- ideal solution for wide range of laboratory & process applications requiring low ultimate vacuum at medium to increased gas flow rate
- high flow rates even at vacuum levels approaching ultimate vacuum
- high water vapor tolerance
- vacuum-tight at switch-off (anti-suckback valve not needed)
- large oil volume, long intervals between oil changes
- ease of maintenance due to telescopic design

Applications

- drying chambers • lyophilization • drying with minimal residues
- molecular distillation • forevacuum generation for turbo pumps

