



Vacuubrand RZ 2.5

Technical Specifications

| | Unit | RZ 2.5 |
|--|-------------------|--|
| Number of stages | | 2 |
| Max. pumping speed at 50/60 Hz | m ³ /h | 2.3 / 2.8 |
| Max. pumping speed at 50/60 Hz | cfm | 1.4 / 1.6 |
| Ultimate partial vacuum (abs.) | mbar | 4 x 10 ⁻⁴ |
| Ultimate vacuum (abs.) | mbar/torr | 2 x 10 ⁻³ / 1.5 x 10 ⁻³ |
| Ultim. vac. (abs.) with gas ballast | mbar/torr | 1 x 10 ⁻² / 0.75 x 10 ⁻² |
| Water vapor tolerance with gas ballast | mbar | 40 |
| Ambient temperature range (operation) | °C | 12 - 40 |
| Ambient temperature range (storage) | °C | -10 - 60 |
| Oil capacity (B-Oil) min./max. | l | 0.1 / 0.25 |
| Max. back pressure (abs.) | bar | 1.1 |
| Inlet connection | | small flange KF DN 16 |
| Outlet connection | | Hose nozzle DN 8-10 mm |
| Rated motor power | kW | 0.18 |
| Rated motor speed at 50/60 Hz | min-1 | 1500/1800 |
| Protection class | | IP 40 |
| Dimensions (L x W x H) | mm | 316 x 125 x 190 |
| Weight | kg | 11.4 |
| Noise level at 50 Hz, typ. | dBA | 43 |
| Items supplied | | Pump oil filled and completely mounted, ready for use, with manual. |
| Accessories | | Stainless steel tubing KF DN 16 (1000 mm: 20673336) Separator inlet side AK R 2/2.5 (20698000) Oil mist filter FO R 2/2.5/5/6 (20698003) Package fine vacuum control KF DN 16 (20700100 or 20700101) Rubber vacuum tubing DN 8 mm (20686001) Small flange KF DN 16 with hose nozzle DN 8-10 mm (20662806) |



PROVAC

SALES

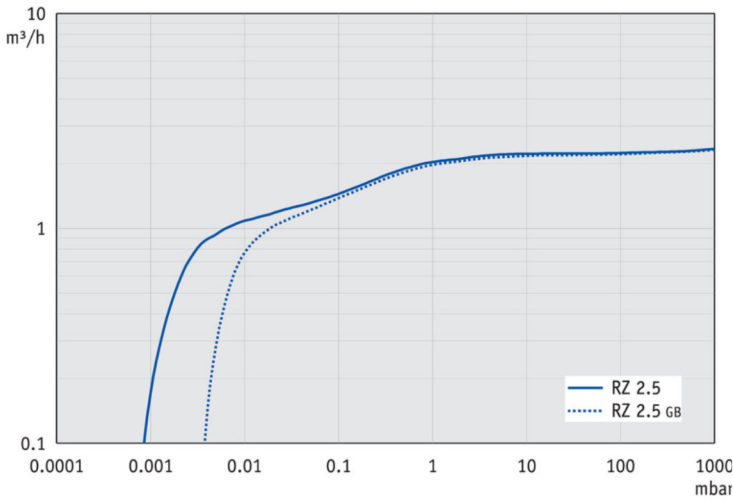
PHONE: 831-462-8900

FAX: 831-462-3536

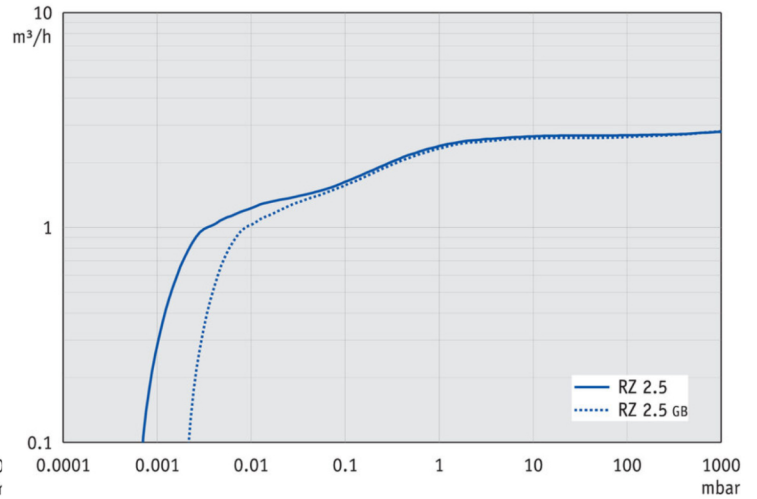
WWW.PROVAC.COM

Vacuubrand RZ 2.5 Pumping Curves

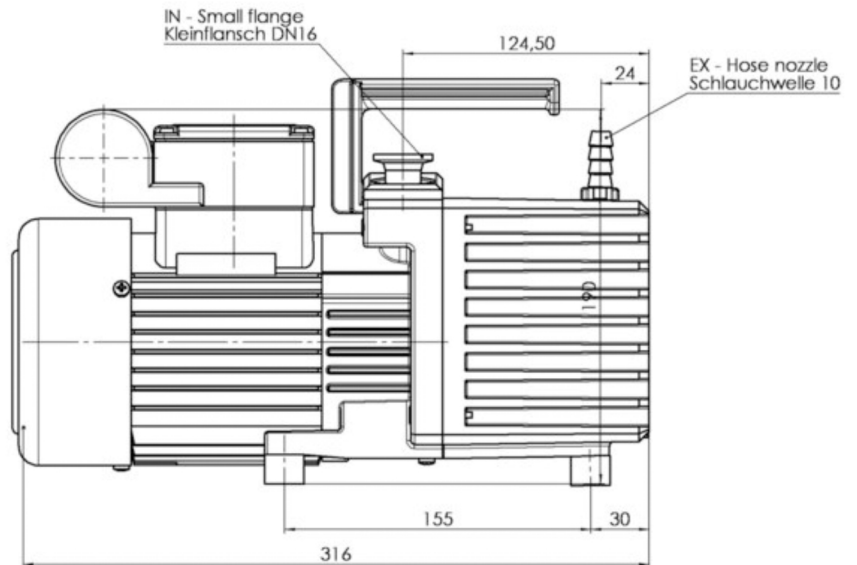
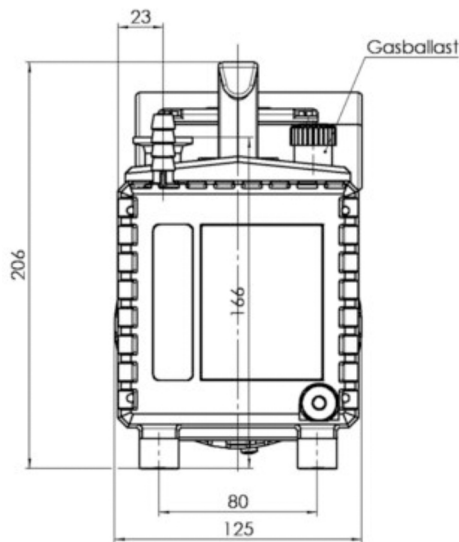
50Hz



60Hz



Dimensions



Dimensions / Masse = mm
 Oil / Öl = min. 100 ml
 max. 250 ml
 Weight / Gewicht = 11,4 kg

VACUUBRAND RZ 2.5
 Version 2009/03/24



PROVAC

SALES

PHONE: 831-462-8900

FAX: 831-462-3536

WWW.PROVAC.COM

Vacuubrand RZ 2.5 Features & Benefits

- powerful, extra compact, two-stage
- ideal solution for wide range of lab & process applications
- high flow rates, even at levels approaching ultimate vacuum
- high water vapor tolerance due to efficient gas ballast
- very good ultimate vacuum, even with gas ballast
- vacuum-tight at switch-off; external anti suckback valve not needed
- large oil volume; long intervals between oil changes
- ease of maintenance due to telescopic design

Applications

- drying chambers • lyophilization • drying with minimal residues
- forevacuum for turbo pumps

