



PROVAC

SALES

PHONE: 831-462-8900

FAX: 831-462-3536

WWW.PROVAC.COM

Alcatel RSV-301B, RSV-601B Technical Specifications

	Units	RSV 301	RSV 301B	RSV 601	RSV 601B
Nominal pumping speed (swept volume) 50/60 Hz	m ³ /h	300/360	300/360	600/720	600/720
	cfm	177/212	177/212	354/424	354/424
Pneurop pumping speed at 1 mbar 50/60 Hz (type of backing pump)	m ³ /h	260/330	260/330	430/510	430/510
	cfm	153/195	153/195	254/300	254/300
		(2063)	(2063)	(2063)	(2063)
Ultimate total pressure with 2 stage backing pump	mbar	2 x 10 ⁻⁴	2 x 10 ⁻⁴	2 x 10 ⁻⁴	2 x 10 ⁻⁴
Ultimate partial pressure with 2 stage backing pump	mbar	5 x 10 ⁻⁵	5 x 10 ⁻⁵	5 x 10 ⁻⁵	5 x 10 ⁻⁵
Max. continuous inlet pressure	mbar	15	1000	10	1000
Max. continuous differential pressure	mbar	60	-	40	-
Leak rate	mbar.l/s	< 10 ⁻⁷	< 10 ⁻⁷	< 10 ⁻⁷	< 10 ⁻⁷
Inlet/outlet flange	ISO-DN	63	63	100	100
Motor power 50/60 Hz	KW	1.1	1.1	1.5	1.5
Voltage 50/60 Hz	Volt	3 phase 200/240 - 380/415 (50 Hz) 3 phase 200/240 - 380/480 (60 Hz)			
Oil capacity	liter	0.4	0.7	0.7	0.7
Weight	kg/lbs	84/185	88/194	102/225	107/236

* **Nota** : the flanges of Roots RSV 1002/2000 are conformable to ISO 2084 (PN - Petroleum standard)
For connection with ISO 1609 fittings (Pneurop standard) flanges are available.



PROVAC

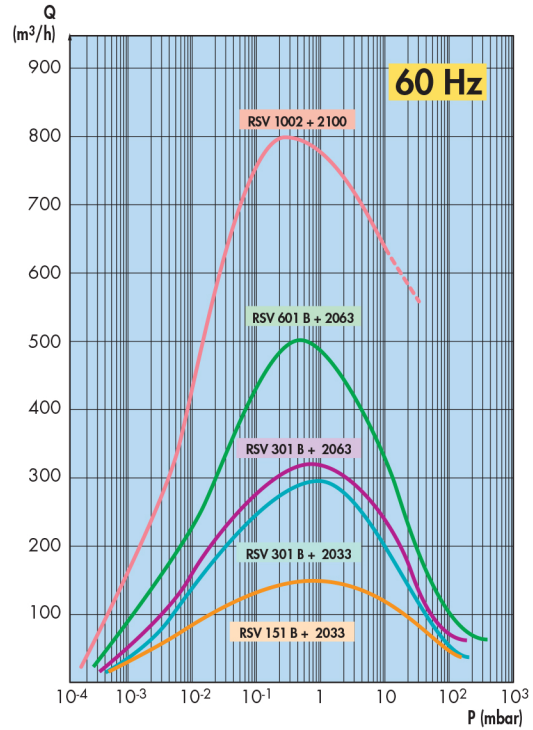
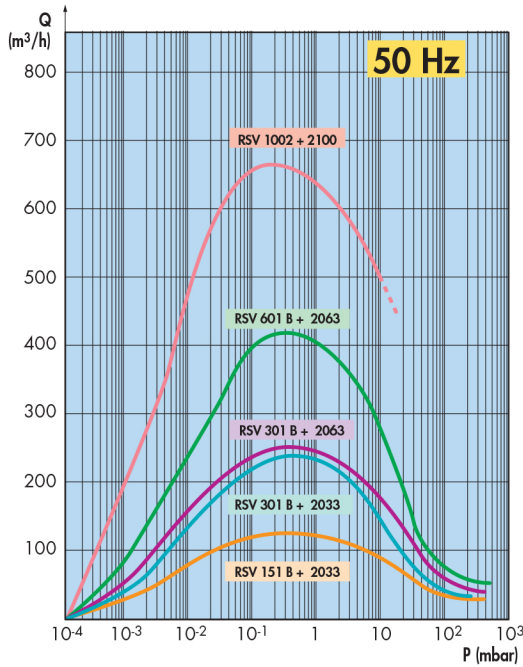
SALES

PHONE: 831-462-8900

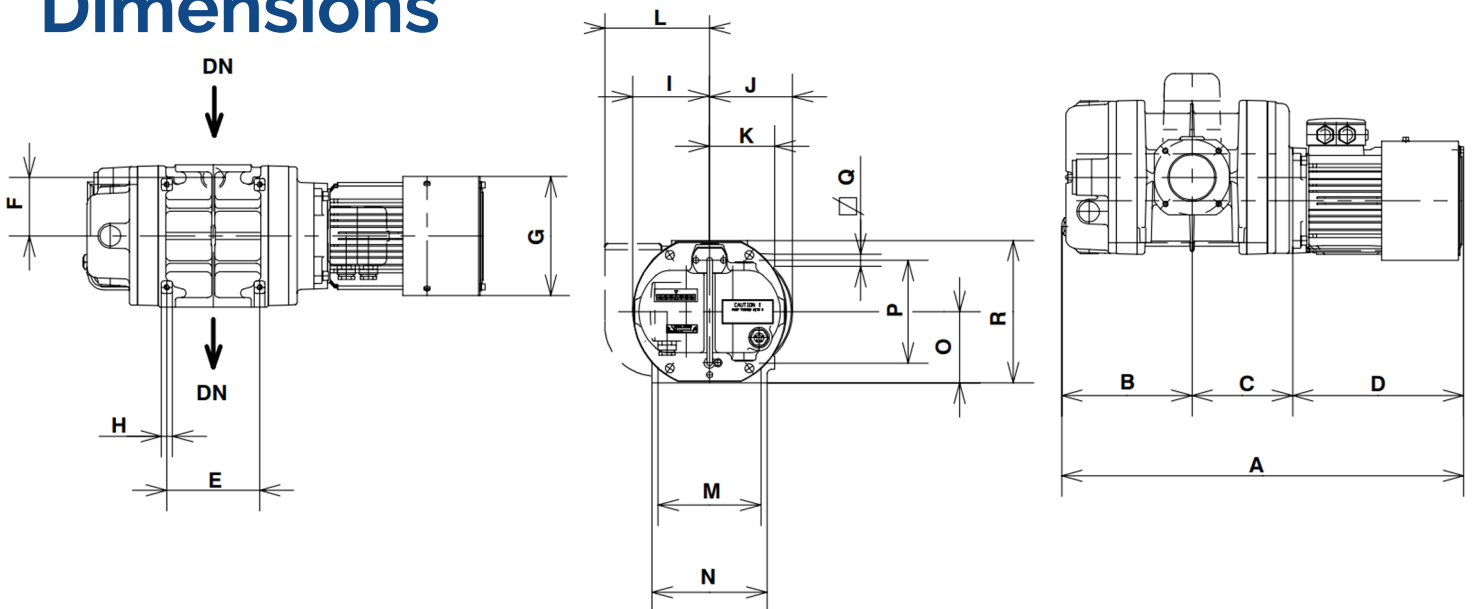
FAX: 831-462-3536

WWW.PROVAC.COM

Alcatel RSV-301B, RSV-601B Pumping Curves



Dimensions



	A	B	C	D	E	F	G	H	I	J	K	L	M	N	O	P	Q	R	DN
RSV151	586	190	147	249	135	85	174	16	115	121	95	150	150	168	104	150	16	208	63
RSV301	643	193	140	310	120	122,5	211	24	145	148	125	183	180	204	140	180	24	280	63
RSV601	743	243	190	310	220	122,5	211	25	145	148	125	183	180	204	140	180	24	280	100



PROVAC

SALES

PHONE: 831-462-8900

FAX: 831-462-3536

WWW.PROVAC.COM

Alcatel RSV-301B, RSV-601B

Features & Benefits

- motor coupling made only with static parts
- motor rotor is completely isolated by a stainless steel sleeve
- oil mist filter avoids oil backstreaming
- built-in bypass valve
- compact design
- quiet operation, low vibration level

Applications

- glass coating • leak detection • research & development • sputtering
- laser applications • freeze drying • pharmaceutical • food industries
- nuclear applications • chemistry

