



Agilent RPS Series

Technical Specifications

RPS-501/301

RPS-751/301

Nominal pumping speed	60 Hz	600 m ³ /h (350 cfm)	900 m ³ /h (530 cfm)
	50 Hz	500 m ³ /h (300 cfm)	750 m ³ /h (440 cfm)
Ultimate total pressure (gas ballast closed)		≤ 7 x 10 ⁻³ mbar (≤ 5 x 10 ⁻³ Torr)	≤ 5 x 10 ⁻³ mbar (≤ 4 x 10 ⁻³ Torr)
Roots pump start up pressure		≤ 200 mbar (≤ 152 Torr)	≤ 80 mbar (≤ 60 Torr)
Power	60 Hz	2.6 + 7.5 kW (3.5 + 10.0 HP)	3.6 + 7.5 kW (4.8 + 10.0 HP)
	50 Hz	2.2 + 5.5 kW (2.9 + 7.3 HP)	3.0 + 5.5 kW (4.0 + 7.3 HP)
Power supply voltage		Δ230/Y400 V at 50 Hz	Δ230/Y400 V at 50 Hz
		Δ460 V at 60 Hz	Δ460 V at 60 Hz
		YY230/Y460 V at 60 Hz	YY230/Y460 V at 60 Hz
		Δ220/Y380 V at 60 Hz	Δ220/Y380 V at 60 Hz
Noise level*		74 / 76 dB(A)	74 / 76 dB(A)
Oil charge		1.1 + 7.0 liter (1.16 + 7.4 qt)	1.5 + 7.0 liter (1.6 + 7.4 qt)
Working ambient temperature range		+12 +40 °C (+54 +105 F)	+12 +40 °C (+54 +105 F)
Storage temperature		-15 +50 °C (+5 +122 F)	-20 +70 °C (-4 +158 F)
Dimensions D x W x H		750 x 1048 x 1086 / 750 x 1088 x 1086 mm (29.5 x 41.3 x 42.8 / 29.5 x 42.8 x 42.8 in.)	750 x 1130 x 1175 mm (29.5 x 44.5 x 46.3 in.)
Total weight	60 Hz	445 kg (981 lbs)	470 kg (1040 lbs)
	50 Hz	430 kg (948 lbs)	450 kg (1000 lbs)

RPS-1001/301

RPS-1401/301

Nominal pumping speed	60 Hz	1200 m ³ /h (710 cfm)	1700 m ³ /h (1000 cfm)
	50 Hz	1000 m ³ /h (590 cfm)	1430 m ³ /h (840 cfm)
Ultimate total pressure (gas ballast closed)		≤ 5 x 10 ⁻³ mbar (≤ 4 x 10 ⁻³ Torr)	≤ 5 x 10 ⁻³ mbar (≤ 4 x 10 ⁻³ Torr)
Roots pump start up pressure		≤ 50 mbar (≤ 38 Torr)	≤ 30 mbar (≤ 23 Torr)
Power	60 Hz	4.8 + 7.5 kW (6.4 + 10.0 HP)	6.3 + 7.5 kW (8.4 + 10.0 HP)
	50 Hz	4.0 + 5.5 kW (5.3 + 7.3 HP)	5.5 + 5.5 kW (7.3 + 7.3 HP)
Power supply voltage		Δ230/Y400 V at 50 Hz	Δ230/Y400 V at 50 Hz
		Δ400/Y690 V at 50 Hz	Δ400/Y690 V at 50 Hz
		Δ460 V at 60 Hz	Δ460 V at 60 Hz
		YY230/Y460 V at 60 Hz	YY230/Y460 V at 60 Hz
		Δ220/Y380 V at 60 Hz	Δ220/Y380 V at 60 Hz
Noise level*		74 / 76 dB(A)	74 / 76 dB(A)
Oil charge		1.5 + 7.0 liter (1.6 + 7.4 qt)	1.5 + 7.0 liter (1.6 + 7.4 qt)
Working ambient temperature range		+12 +40 °C (+54 +105 F)	+12 +40 °C (+54 +105 F)
Storage temperature		-20 +70 °C (-4 +158 F)	-20 +70 °C (-4 +158 F)
Dimensions D x W x H		750 x 1153 x 1195 mm (29.5 x 45.4 x 47 in.)	750 x 1289 x 1195 mm (29.5 x 50.7 x 47 in.)
Total weight	60 Hz	530 kg (1170 lbs)	590 kg (1300 lbs)
	50 Hz	510 kg (1130 lbs)	570 kg (1260 lbs)

* Measured according to EN ISO 2151 (50/60 Hz)



PROVAC

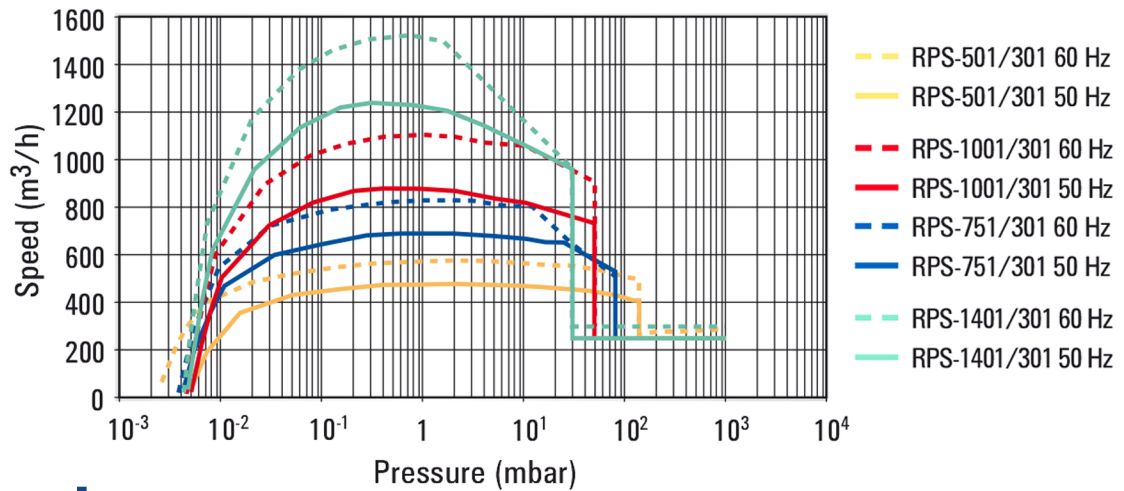
SALES

PHONE: 831-462-8900

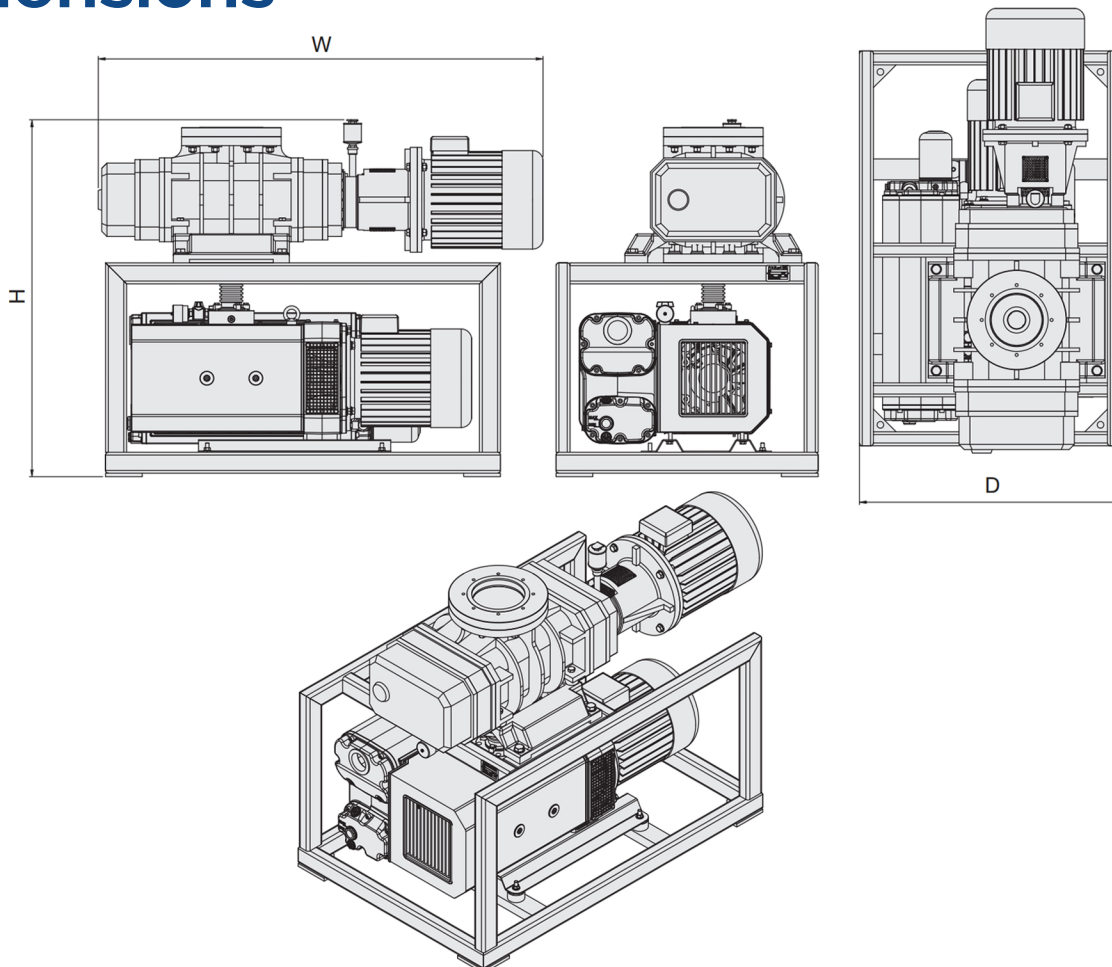
FAX: 831-462-3536

WWW.PROVAC.COM

Agilent RPS Series Pumping Curves



Dimensions





PROVAC

SALES

PHONE: 831-462-8900

FAX: 831-462-3536

WWW.PROVAC.COM

Agilent RPS Series Features & Benefits

- compact & easy to use
- air cooled
- ideal for use in demanding industrial applications
- rugged & reliable
- low noise & vibration
- designed for optimum system integration
- ideal combination for roughing down & backing diffusion pumps, turbo pumps & other HV pumps
- optional electronics for continuous operation
- can be used for clean applications

Applications

- roughing & backing high vacuum pumps • vacuum coating systems
- metallurgy • heat treatment • helium leak detection • electron beam welding • LNG • industrial applications

