



MD Pneumatics Qx 6000

Technical Specifications

MODEL	SERIES	PORT SIZE INCHES / mm	APPROX. OIL CAPACITY QUARTS / LITERS		MAX. ALLOWABLE DISCHARGE TEMP. ° F / ° C	MAX. TEMP. RISE ° F / ° C	MAX. PRESSURE PSIG	MAX. VACUUM in. Hg / mbar	MAX. RPM
			VERTICAL FLOW	HORIZONTAL FLOW					
3203 3205 3208 3213	AP	2 / 51 3 / 76 4 / 102 4 / 102	0.68 / 0.64	0.38 / 0.36	445 / 229	325 / 163	18	17 / 576	4800
4606 4610 4616	AP	4 / 102 6 / 152 6 / 152	1.82 / 1.1	1.07 / 1	445 / 229	325 / 163	18	17 / 576	4000
6009 6015 6024	AP	8 / 203 8 / 203 10 / 254	4.68 / 4.4	2.63 / 2.5	445 / 229	325 / 163	18	17 / 576	3200

BLOWER MODEL	SPEED (RPM)	8 PSIG		10 PSIG		12 PSIG		15 PSIG		18 PSIG		10 in Hg		12 in Hg		14 in Hg		16 in Hg	
		CFM	BHP	CFM	BHP	CFM	BHP	CFM	BHP	CFM	BHP	CFM	BHP	CFM	BHP	CFM	BHP	CFM	BHP
6009	1150	314	15.7	302	19.3	291	22.9	276	28.4	480	51.5	318	10.1	303	11.8	286	13.6	484	23.5
	1750	531	23.9	519	29.4	508	34.9	493	43.2	814	87.0	535	15.3	520	18.0	503	20.7	919	39.5
	2950	965	40.4	953	49.7	942	59.0	927	73.0	1514	156.3	969	25.8	954	30.4	937	35.0	1009	48.2
	3200	1055	49.5	1043	60.8	1032	72.2	1018	89.2	1674	176.1	1059	31.5	1044	37.1	1028	42.7	1009	48.2
6015	1150	523	25.4	503	31.4	485	37.5	460	46.6	799	84.8	530	16.0	504	19.0	477	21.9	807	37.9
	1750	885	38.8	865	48.0	846	57.2	822	71.0	1437	143.7	891	24.4	866	28.9	838	33.4	1009	48.2
	2950	1608	66.1	1588	81.6	1570	97.1	1545	120.4	2523	252.3	1615	41.1	1590	48.7	1562	56.3	1531	63.9
	3200	1759	81.4	1739	100.3	1721	119.3	1696	147.7	2674	267.4	1766	50.1	1740	59.4	1713	68.7	1682	78.0





PROVAC

SALES

PHONE: 831-462-8900

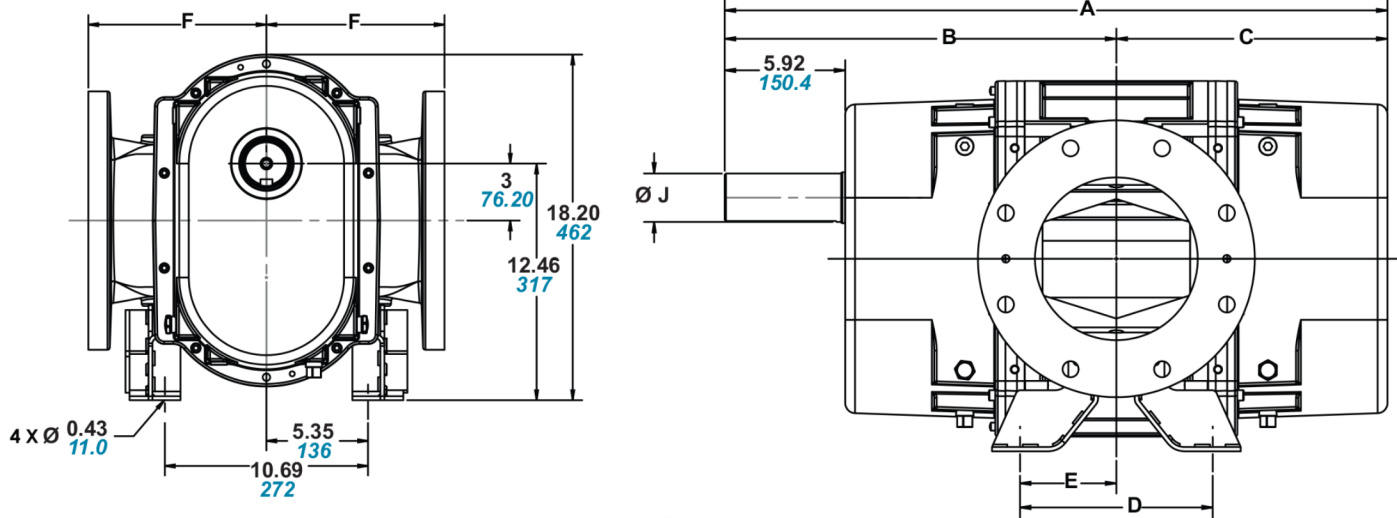
FAX: 831-462-3536

WWW.PROVAC.COM

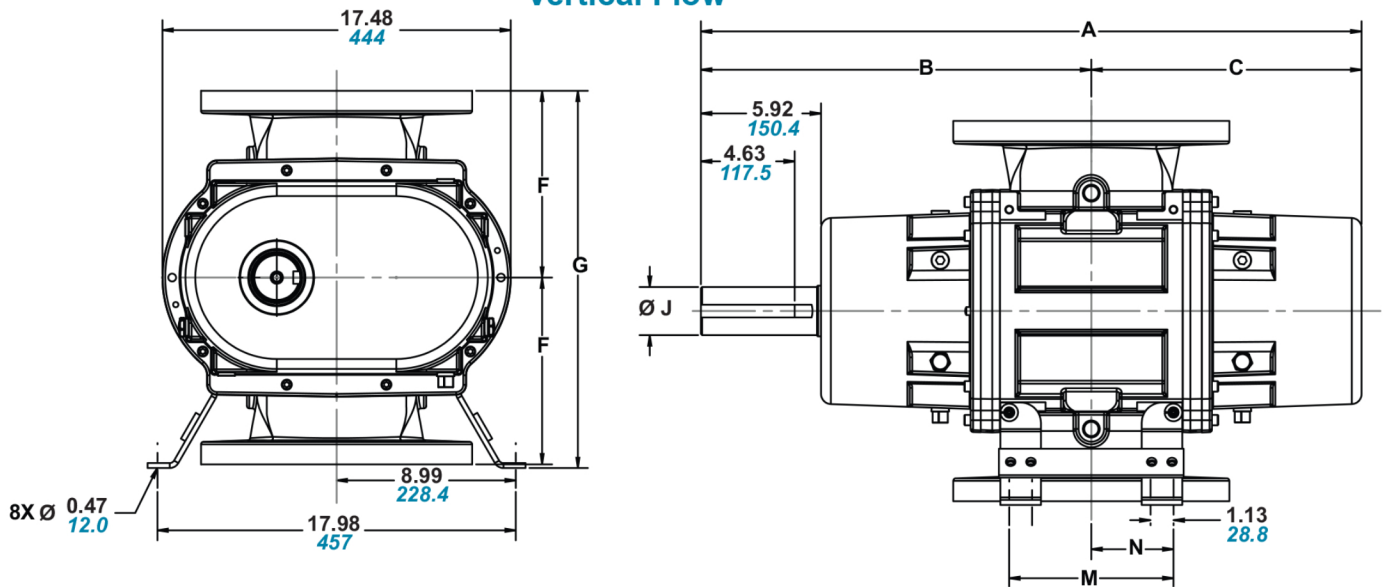
MD Pneumatics Qx 6000

Dimensions

Horizontal Flow



Vertical Flow



MODEL	A	B	C	D	E	F	G	J	M	N	KEYWAY	FLANGE	WEIGHT LB / KG
6009	32.51 826	19.18 487	13.32 338	9.47 241	4.73 120	9.38 238	18.94 481	2.38 60	8.10 206	4.05 103	.625 15.88	SQUARE ANSI 8", CLASS 150	633 / 287.1
6015	38.51 978	22.18 563	16.32 415	15.47 393	7.74 197	9.38 238	18.94 481	2.38 60	14.10 358	7.05 179	.625 15.88	SQUARE ANSI 8", CLASS 150	783 / 355.2



PROVAC

SALES

PHONE: 831-462-8900

FAX: 831-462-3536

WWW.PROVAC.COM

MD Pneumatics Qx 6000

Features & Benefits

- high efficiency at high pressure & vacuum
- bi-directional rotation
- timed with precision helical gears, keyed to the rotor shafts
- includes double ball bearings on timing gear end for additional strength & single roller bearings on drive shaft end
- L10 bearing life of up to 200,000 hours
- tri-lobe rotors offer reduced pulsation & lower noise levels
- oil lubrication on both ends with easy to view sight glasses
- larger shaft diameters compared to competing manufacturers

Applications

- pneumatic conveying • wastewater aeration • air sparging
- compost aeration • dust collection • bulk unloading/loading
- fluidization/agitation of dense powders • mobile vacuum waste removal