



MD Pneumatics Qx 4600

Technical Specifications

MODEL	SERIES	PORT SIZE INCHES / mm	APPROX. OIL CAPACITY QUARTS / LITERS		MAX. ALLOWABLE DISCHARGE TEMP. ° F / ° C	MAX. TEMP. RISE ° F / ° C	MAX. PRESSURE PSIG	MAX. VACUUM in. Hg / mbar	MAX. RPM
			VERTICAL FLOW	HORIZONTAL FLOW					
3203 3205 3208 3213	AP	2 / 51 3 / 76 4 / 102 4 / 102	0.68 / 0.64	0.38 / 0.36	445 / 229	325 / 163	18	17 / 576	4800
4606 4610 4616	AP	4 / 102 6 / 152 6 / 152	1.82 / 1.1	1.07 / 1	445 / 229	325 / 163	18	17 / 576	4000
6009 6015 6024	AP	8 / 203 8 / 203 10 / 254	4.68 / 4.4	2.63 / 2.5	445 / 229	325 / 163	18	17 / 576	3200

BLOWER MODEL	SPEED (RPM)	8 PSIG		10 PSIG		12 PSIG		15 PSIG		18 PSIG		10 in Hg		12 in Hg		14 in Hg		16 in Hg	
		CFM	BHP	CFM	BHP	CFM	BHP	CFM	BHP	CFM	BHP	CFM	BHP	CFM	BHP	CFM	BHP	CFM	BHP
4606	1150	118	6.7	111	8.1	106	9.6	98	11.8			120	4.4	112	5.1	103	5.8		
	1750	206	10.2	200	12.4	194	14.7	187	18.0			208	6.6	200	7.7	192	8.9	182	10
	2950	383	17.3	377	21.1	372	24.9	364	30.6	357	36.3	385	11.2	378	13.1	369	14.9	360	16.8
	3600	479	21.2	473	25.9	467	30.5	460	37.5	453	44.4	481	13.7	474	15.9	465	18.2	456	20.5
	4000	538	23.7	532	28.9	527	34.0	519	41.7	512	49.5	540	15.2	533	17.7	524	20.2	515	22.8
4610	1150	192	10.6	181	13.1	171	15.5	158	19.2			195	6.8	182	8	167	9.2		
	1750	339	16.2	329	19.9	319	23.7	306	29.3			343	10.3	329	12.2	315	14	298	15.9
	2950	635	27.4	624	33.7	614	40.0	601	49.5	589	59.0	638	17.4	625	20.5	610	23.6	593	26.7
	3600	795	33.6	784	41.3	774	49.0	761	60.6	749	72.2	798	21.2	785	25	770	28.8	753	32.6
	4000	893	37.4	882	46.0	872	54.6	859	67.4	847	80.3	897	23.6	883	27.8	868	32	852	36.24





PROVAC

SALES

PHONE: 831-462-8900

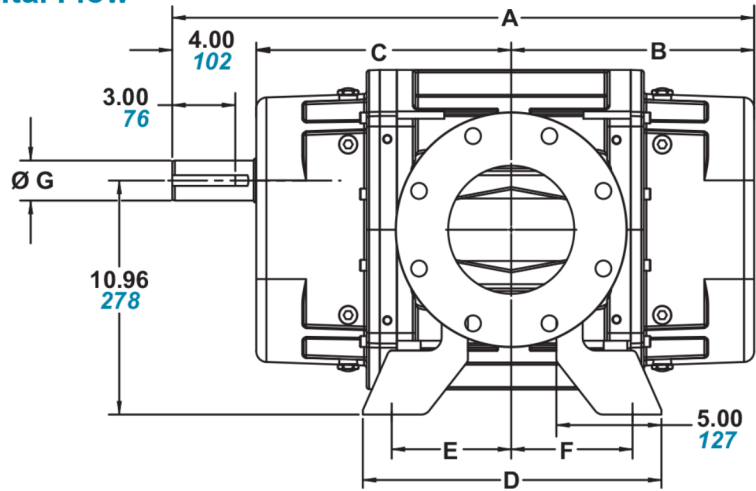
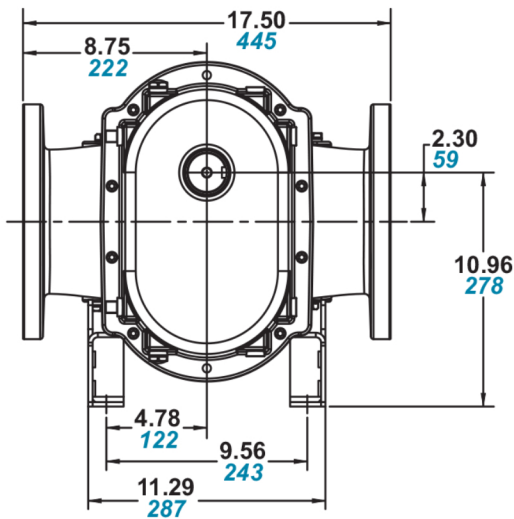
FAX: 831-462-3536

WWW.PROVAC.COM

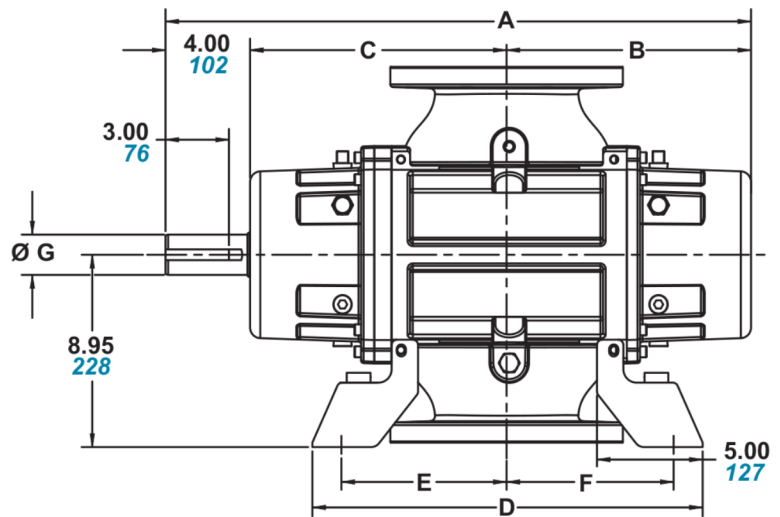
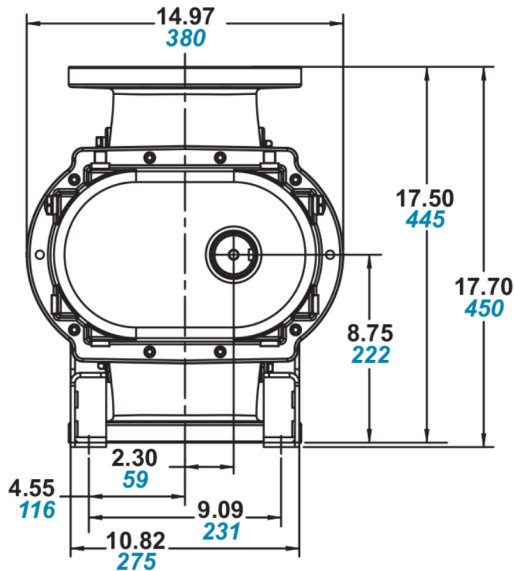
MD Pneumatics Qx 4600

Dimensions

Horizontal Flow



Vertical Flow



MODEL	A	B	C	D	E	F	G	KEYWAY	FLANGE	WEIGHT LB / KG
4606	23.70 602	9.56 243	10.13 258	14.46 368	5.81 148	5.90 150	1.88 48	.500 12.70 SQUARE	ANSI 4", CLASS 150	300 / 136
4610	27.70 704	11.56 294	12.13 308	18.46 469	7.81 199	7.90 201	1.88 48	.500 12.70 SQUARE	ANSI 6", CLASS 150	415 / 188.2



PROVAC

SALES

PHONE: 831-462-8900

FAX: 831-462-3536

WWW.PROVAC.COM

MD Pneumatics Qx 4600

Features & Benefits

- high efficiency at high pressure & vacuum
- bi-directional rotation
- timed with precision helical gears, keyed to the rotor shafts
- includes double ball bearings on timing gear end for additional strength & single roller bearings on drive shaft end
- L10 bearing life of up to 200,000 hours
- tri-lobe rotors offer reduced pulsation & lower noise levels
- oil lubrication on both ends with easy to view sight glasses
- larger shaft diameters compared to competing manufacturers

Applications

- pneumatic conveying • wastewater aeration • air sparging
- compost aeration • dust collection • bulk unloading/loading
- fluidization/agitation of dense powders • mobile vacuum waste removal