



MD Pneumatics Qx 3200

Technical Specifications

MODEL	SERIES	PORT SIZE INCHES / mm	APPROX. OIL CAPACITY QUARTS / LITERS		MAX. ALLOWABLE DISCHARGE TEMP. ° F / ° C	MAX. TEMP. RISE ° F / ° C	MAX. PRESSURE PSIG	MAX. VACUUM in. Hg / mbar	MAX. RPM
			VERTICAL FLOW	HORIZONTAL FLOW					
3203 3205 3208 3213	AP	2 / 51 3 / 76 4 / 102 4 / 102	0.68 / 0.64	0.38 / 0.36	445 / 229	325 / 163	18	17 / 576	4800
4606 4610 4616	AP	4 / 102 6 / 152 6 / 152	1.82 / 1.1	1.07 / 1	445 / 229	325 / 163	18	17 / 576	4000
6009 6015 6024	AP	8 / 203 8 / 203 10 / 254	4.68 / 4.4	2.63 / 2.5	445 / 229	325 / 163	18	17 / 576	3200

BLOWER MODEL	SPEED (RPM)	8 PSIG		10 PSIG		12 PSIG		15 PSIG		18 PSIG		10 in Hg		12 in Hg		14 in Hg		16 in Hg	
		CFM	BHP	CFM	BHP	CFM	BHP	CFM	BHP	CFM	BHP	CFM	BHP	CFM	BHP	CFM	BHP	CFM	BHP
3203	1150	17	2.2									42	2.4	38	2.7				
	1750	41	3.3	37	3.9	34	4.5			74	10.7	90	4	85	4.5	81	5		
	2950	88	5.6	85	6.6	82	7.7	78	9.2	100	13.1	116	4.9	112	5.5	107	6.1	102	6.7
	3600	114	6.9	111	8.3	108	9.4	104	11.3	147	17.6	164	6.5	160	7.3	155	8.12	150	8.9
	4800	162	9.3	158	18.2	155	12.6	151	15.1										
3205	1150	21	3.1									61	3.3	54	3.7				
	1750	59	4.8	53	5.7	48	6.7			109	16.2	137	5.5	130	6.3	121	7.1		
	2950	135	8.0	129	9.7	124	11.3	116	13.8	151	19.8	179	6.7	171	7.7	163	8.7	153	9.6
	3600	177	9.9	171	11.8	165	13.8	157	16.8	227	26.5	255	8.9	247	10.2	239	11.5	226	12.8
	4800	253	13.2	247	15.9	241	18.6	234	22.5										
3208	1150	45	4.6	36	5.6							47	3						
	1750	105	7.0	96	8.5	89	10.1			190		108	4.6	97	5.4	86	6.1		
	2950	225	11.8	217	14.4	209	17.0	199	25.3	247	24.7	228	7.8	217	9.1	206	10.3	193	11.6
	3600	290	14.5	282	17.6	274	20.8	264	30.9	375	40.4	375	9.5	283	11.1	271	12.6	258	14.2
	4800	410	19.5	402	23.7	394	27.9	384	41.4										





PROVAC

SALES

PHONE: 831-462-8900

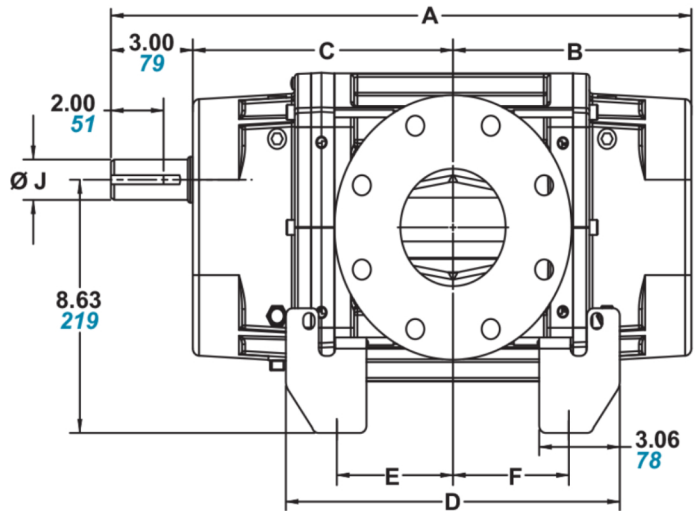
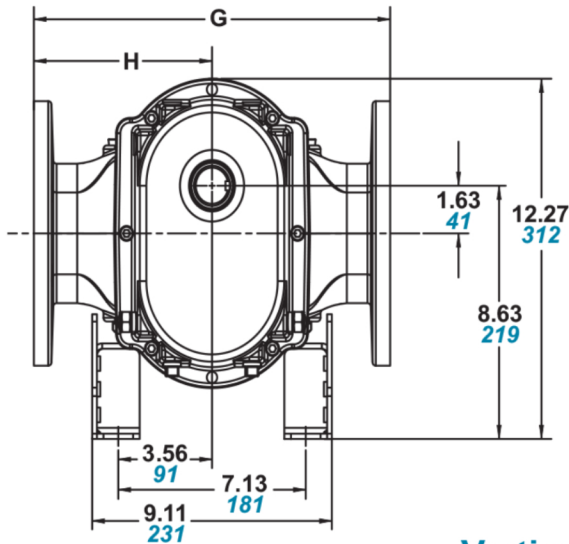
FAX: 831-462-3536

WWW.PROVAC.COM

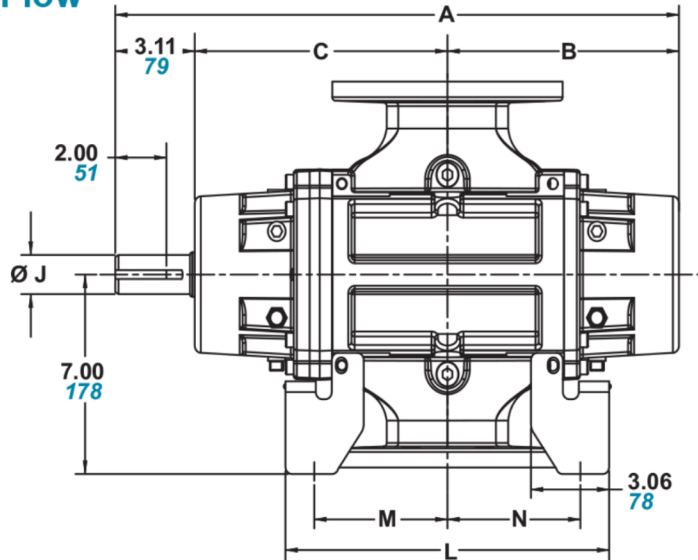
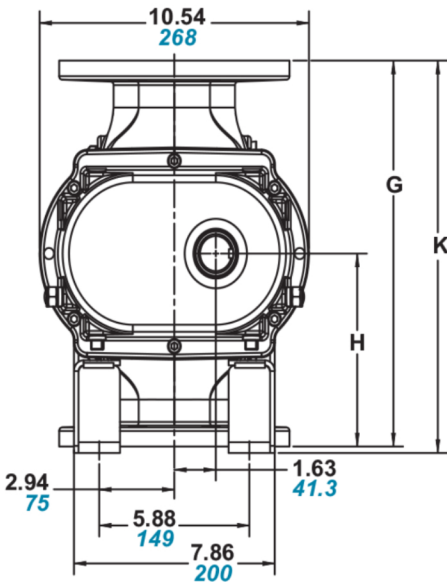
MD Pneumatics Qx 3200

Dimensions

Horizontal Flow



Vertical Flow



MODEL	A	B	C	D	E	F	G	H	J	K	L	M	N	KEYWAY	FLANGE	WEIGHT LB / KG	
3203	17.12 435	6.59 167	7.42 188	7.75 197	1.95 50	1.94 49	11.54 293	5.77 146	1.38 35	12.77 324	7.73 197	2.75 70	2.73 70	.313 7.94	SQUARE	ANSI 2", CLASS 150	95 / 43
3205	19.06 484	7.59 192	8.36 212	9.69 246	2.89 73	2.94 75	11.54 293	5.77 146	1.38 35	12.77 324	9.67 246	3.68 94	3.73 95	.313 7.94	SQUARE	ANSI 3", CLASS 150	160 / 72.6
3208	22.06 560	9.06 230	9.89 251	12.69 322	4.42 112	4.40 112	13.54 344	6.77 172	1.38 35	13.77 350	12.67 322	5.21 132	5.20 132	.313 7.94	SQUARE	ANSI 4", CLASS 150	190 / 86



PROVAC

SALES

PHONE: 831-462-8900

FAX: 831-462-3536

WWW.PROVAC.COM

MD Pneumatics Qx 3200

Features & Benefits

- high efficiency at high pressure & vacuum
- bi-directional rotation
- timed with precision helical gears, keyed to the rotor shafts
- includes double ball bearings on timing gear end for additional strength & single roller bearings on drive shaft end
- L10 bearing life of up to 200,000 hours
- tri-lobe rotors offer reduced pulsation & lower noise levels
- oil lubrication on both ends with easy to view sight glasses
- larger shaft diameters compared to competing manufacturers

Applications

- pneumatic conveying • wastewater aeration • air sparging
- compost aeration • dust collection • bulk unloading/loading
- fluidization/agitation of dense powders • mobile vacuum waste removal