



## Rotary Positive Displacement Blowers

- High Pressure, Low Noise Industrial Blowers
- Bi-Directional Rotation / Horizontal and Vertical Airflow
- High Efficiency at high pressure and vacuum
- 18 psi or 17" hg dry vacuum
- Flow to 425 cfm at 5 psi
- Speed to 4800 rpm

The QX is one of the industry's quietest blowers.

### Helical Gearing

QX blowers utilize precision helical gears, keyed to the rotor shafts. Helical gears are quieter reducing mechanical noise.

### Bearings

All QX blowers include double ball bearings on the timing gear end. For additional strength single roller bearings are used on the drive shaft end of the machine.

Featuring the largest bearings available, QX blowers have L10 bearing life of up to 200,000 hours.

### Rotors

QX blowers are available in tri-lobe variation. The tri-lobe variation offers reduced pulsation and lower noise levels. For vibration free operation all rotors are dynamically balanced. Shafts are integral to the rotors, which prevents loosening over time.

### Seals

QX blowers are fitted as standard with piston ring labyrinth process/oil seals. Piston ring seals provide high efficiency, long life and reliability.

The oil chamber is vented to atmosphere providing oil-free air.

### Lubrication

QX blowers have oil lubrication on both ends with easy to see sight glasses allowing quick maintenance.

### Individually Tested

Every QX blower is factory tested to assure you of the highest quality.

### ISO 9001 Registration

QX blowers are manufactured under the Tuthill Vacuum & Blower Systems ISO 9001 registered quality assurance program. We go the distance to insure that your blower meets our rigid quality standards.

### Warranty

Every QX blower is backed by the Tuthill Vacuum & Blower Systems limited warranty for a period of 24 months after installation or 30 months after original blower shipment, whichever occurs first.

### Worldwide Sales and Service

With sales offices and service facilities located on six continents, you can be assured of availability and service for your QX blowers.

### Material Specifications:

<b>Housing:</b>	Cast iron
<b>End Plates:</b>	Cast iron
<b>End Cover:</b>	Cast iron
<b>Rotors:</b>	Ductile iron
<b>Shafts:</b>	Ductile iron, cast integrally with rotors
<b>Bearings:</b>	GE - Double row ball FE - Single Row Cylindrical
<b>Gears:</b>	Heat treated alloy steel, helical cut
<b>Seals:</b>	Piston Ring Labyrinth

## Performance Tables — Pressure (14.70 PSIA and 70° F Inlet)

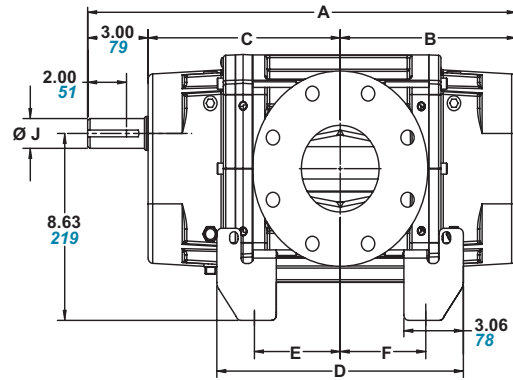
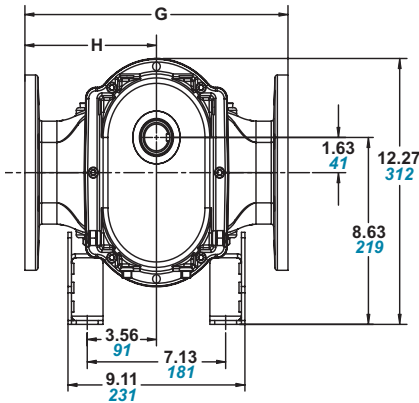
In conjunction with our program of continuous testing and design upgrading, all specifications are subject to change without notice. All data are approximate. Request a quotation for your specific application.

BLOWER MODEL	SPEED (RPM)	8 PSIG		10 PSIG		12 PSIG		15 PSIG		18 PSIG		10 in Hg		12 in Hg		14 in Hg		16 in Hg	
		CFM	BHP	CFM	BHP	CFM	BHP	CFM	BHP	CFM	BHP	CFM	BHP	CFM	BHP	CFM	BHP	CFM	BHP
3203	1150	17	2.2	37	3.9	34	4.5					42	2.4	38	2.7				
	1750	41	3.3	88	5.6	82	7.7	78	9.2	74	10.7	90	4	85	4.5	81	5		
	2950	114	6.9	111	8.3	108	9.4	104	11.3	100	13.1	116	4.9	112	5.5	107	6.1	102	6.7
	4800	162	9.3	158	12.6	155	15.1	151	15.1	147	17.6	164	6.5	160	7.3	155	8.12	150	8.9
3205	1150	21	3.1	53	5.7	48	6.7					61	3.3	54	3.7				
	1750	59	4.8	129	9.7	124	11.3	116	13.8	109	16.2	137	5.5	130	6.3	121	7.1		
	2950	135	8.0	171	11.8	165	13.8	157	16.8	151	19.8	179	6.7	171	7.7	163	8.7	153	9.6
	4800	253	13.2	247	18.6	234	22.5	227	26.5	255	28.9	247	10.2	239	11.5	226	12.8		
3208	1150	45	4.6	36	5.6							47	3						
	1750	105	7.0	96	8.5	89	10.1					108	4.6	97	5.4	86	6.1		
	2950	225	11.8	217	14.4	209	17.0	199	25.3	190	24.7	228	7.8	217	9.1	206	10.3	193	11.6
	4800	410	19.5	402	23.7	394	27.9	384	41.4	375	40.4	413	12.7	403	14.8	391	16.8	379	18.9

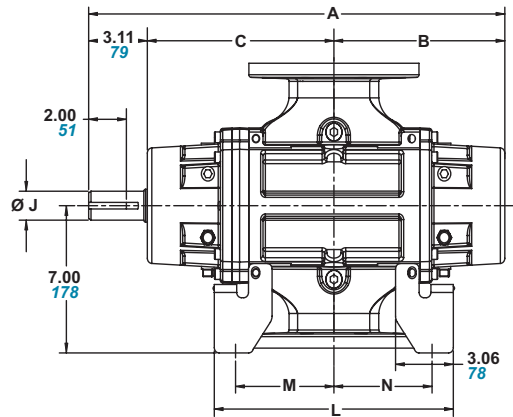
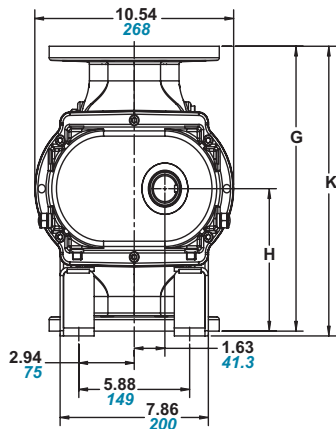
## Dimensions

All dimensions are shown below in inches and *millimeters*. Values are approximate and should not be used for construction. Certain dimensions for metric blowers, as well as 64/67 double envelope gastight, differ slightly from those shown below. Certified prints are available through your local Tuthill Vacuum Blower Systems Sales Professional.

### Horizontal Flow



### Vertical Flow



MODEL	A	B	C	D	E	F	G	H	J	K	L	M	N	KEYWAY	FLANGE	WEIGHT LB / KG	
3203	17.12 435	6.59 167	7.42 188	7.75 197	1.95 50	1.94 49	11.54 293	5.77 146	1.38 35	12.77 324	7.73 197	2.75 70	2.73 70	.313 7.94	SQUARE	ANSI 2", CLASS 150	95 / 43
3205	19.06 484	7.59 192	8.36 212	9.69 246	2.89 73	2.94 75	11.54 293	5.77 146	1.38 35	12.77 324	9.67 246	3.68 94	3.73 95	.313 7.94	SQUARE	ANSI 3", CLASS 150	160 / 72.6
3208	22.06 560	9.06 230	9.89 251	12.69 322	4.42 112	4.40 112	13.54 344	6.77 172	1.38 35	13.77 350	12.67 322	5.21 132	5.20 132	.313 7.94	SQUARE	ANSI 4", CLASS 150	190 / 86

Your Local Tuthill Vacuum & Blower Systems Sales Professional:

Provac Sales, Inc.  
2535 7th Avenue Suite 4  
Santa Cruz, CA 95062  
Phone: 831-462-8900  
www.provac.com



Tuthill Vacuum & Blower Systems  
4840 West Kearney Street  
Springfield, Missouri USA 65803-8702  
o 417.865.8715 800.825.6937 f 417.865.2950  
tuthillvacuumblower.com

