



PROVAC

SALES

PHONE: 831-462-8900

FAX: 831-462-3536

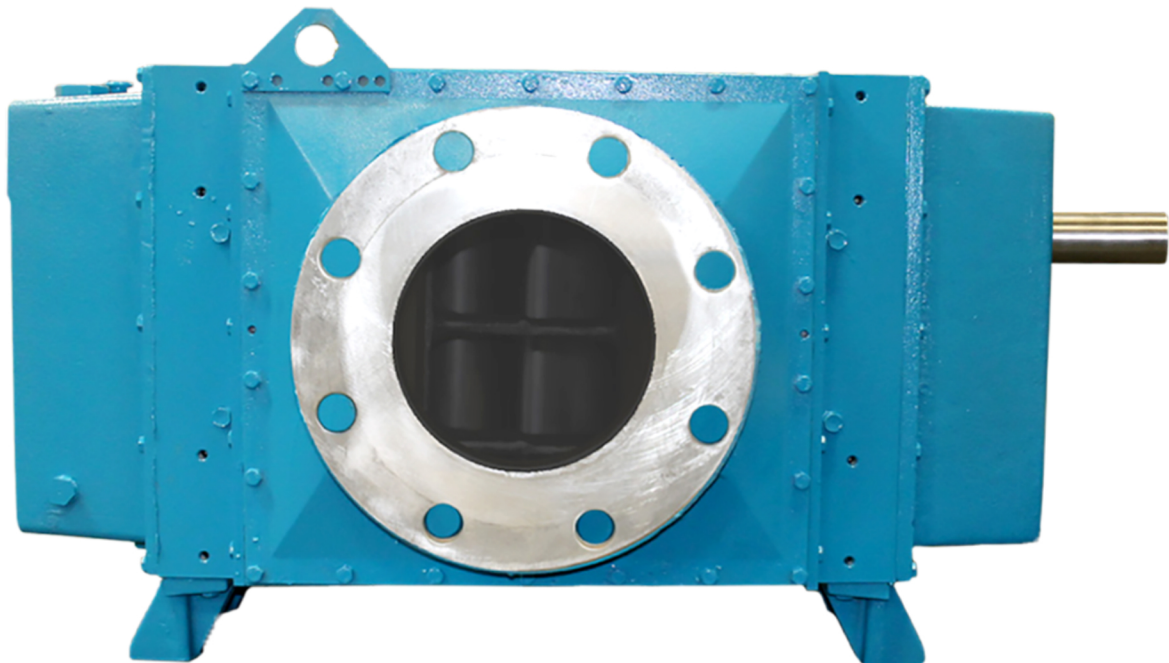
WWW.PROVAC.COM

MD Pneumatics PD Plus 9000

Technical Specifications

MODEL	MAXIMUM RPM	MAXIMUM PRESSURE DIFFERENTIAL	MAXIMUM VACUUM	MAXIMUM TEMPERATURE RISE	MAWP
9016	2400	15 psi (1,035 mbar)	15 inch-Hg (508 mbar)	280°F (156°C)	35 psi (2.4 bar)
9020					
9027					

BLOWER MODEL	SPEED (RPM)	2 PSIG		5 PSIG		8 PSIG		10 PSIG		12 PSIG		14 PSIG		15 PSIG		Max. Vacuum		
		CFM	BHP	CFM	BHP	CFM	BHP	CFM	BHP	CFM	BHP	CFM	BHP	CFM	BHP	" Hg	CFM	BHP
9016	600	497	19	419	30	375	37	1062	83	1043	90	1025	97	1008	103	13	349	24
	1150	1224	37	1146	57	1101	70	1458	105	1439	113	1421	122	1404	130	15	1011	53
	1450	1620	47	1542	72	1498	88	1854	127	1835	137	1817	147	1800	157	15	1408	66
	1750	2016	56	1938	86	1894	107	2713	174	2694	188	2676	202	2659	215	15	1804	80
	2400	2875	77	2797	119	2753	146									15	2663	110
9020	600	652	25	550	38	492	47	1393	108	1368	117	1345	125	1322	134	13	458	31
	1150	1605	47	1503	73	1445	91	1913	136	1888	147	1864	158	1842	169	15	1327	68
	1450	2125	60	2023	92	1965	114	2432	165	2408	178	2384	191	2362	204	15	1847	86
	1750	2645	72	2543	112	2485	138	3559	226	3534	244	3511	262	3488	280	15	2367	103
	2400	3772	99	3669	153	3611	189									15	3493	142
9027	600	870	32	733	50	656	62	1857	143	1824	154	1793	166	1763	178	13	610	41
	1150	2141	62	2004	97	1927	120	2550	180	2518	195	2486	209	2456	224	15	1769	89
	1450	2834	78	2697	122	2620	151	3244	217	3211	235	3180	253	3149	270	15	2463	112
	1750	3527	94	3391	147	3313	182	4746	298	4713	322	4682	347	4651	371	15	3156	136
	2400	5030	129	4893	201	4816	250									15	4658	186





PROVAC

SALES

PHONE: 831-462-8900

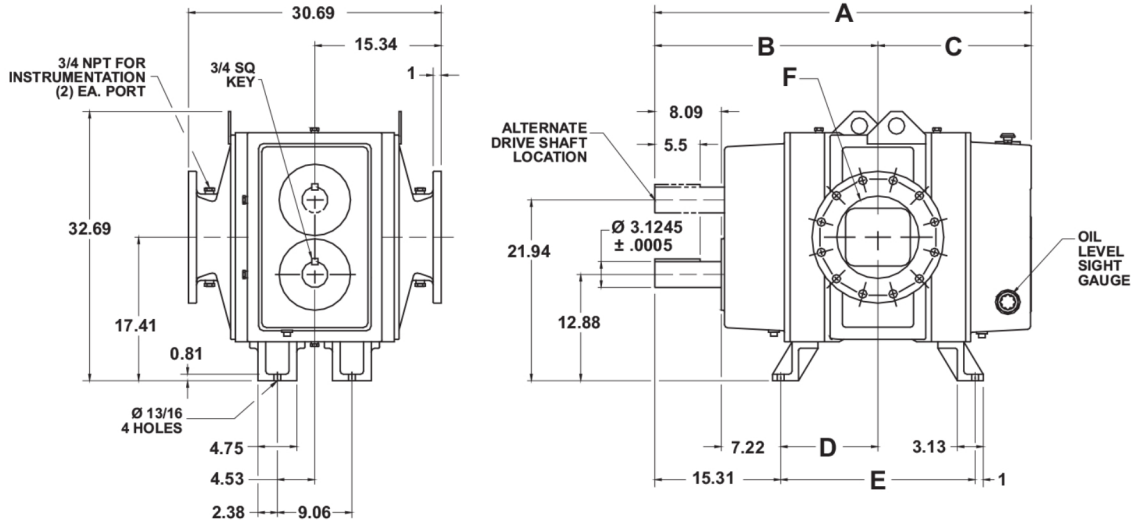
FAX: 831-462-3536

WWW.PROVAC.COM

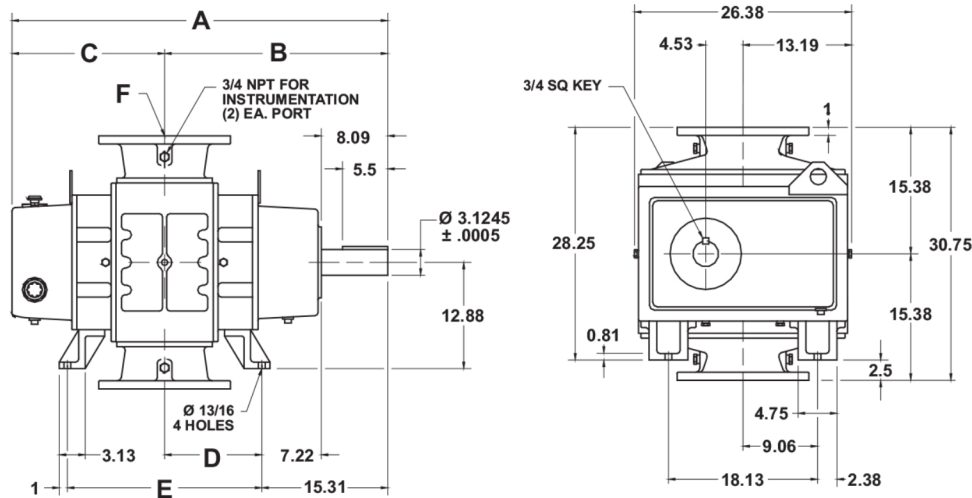
MD Pneumatics PD Plus 9000

Dimensions

Horizontal Flow



Vertical Flow



MODEL	SERIES	A	B	C	D	E	F	Net Wgt. (lbs.)*
9016	17/57 46/81	49.69	29.09	20.59	13.78	27.56	12" FLG	1985
9020	17/57 46/81	54.59	31.56	23.03	16.25	32.5	12" FLG	2100
9027	17/57 46/81	61.5	35	26.5	19.69	39.38	14" FLG	2495

Values are approximate and should not be used for construction.

Certain dimensions for 64/67 double envelope gas-service and pressure lubricated series differ slightly from those shown above.

Certified prints are available through your local Tuthill Vacuum & Blower Systems Sales Professional.

*Approximate shipping weight.



PROVAC

S A L E S

PHONE: 831-462-8900

FAX: 831-462-3536

WWW.PROVAC.COM

MD Pneumatics PD Plus 9000

Features & Benefits

- 17 series - horizontal air flow
- 46 series - vertical air flow
- 57 series - horizontal flow, single envelope gas service
- 81 series - vertical flow, single envelope gas service
- 64 series - horizontal flow, double envelope gas service
- 67 series - vertical flow, double envelope gas service
- cast iron housing, end plates & end covers
- ductile iron rotors & shafts
- designed for high performance applications

Applications

- solvent distillation/vapor recovery • pneumatic conveying • mobile vacuum waste removal • pulp/paper processing • fluid bed combustion • digester gas processing • pressure boosting
- fluidization/agitation of dense powders • oil-free handling fuel
- utility or process gases • laser recirculation systems • closed loop pneumatic conveying • steam compression • process gas boosting